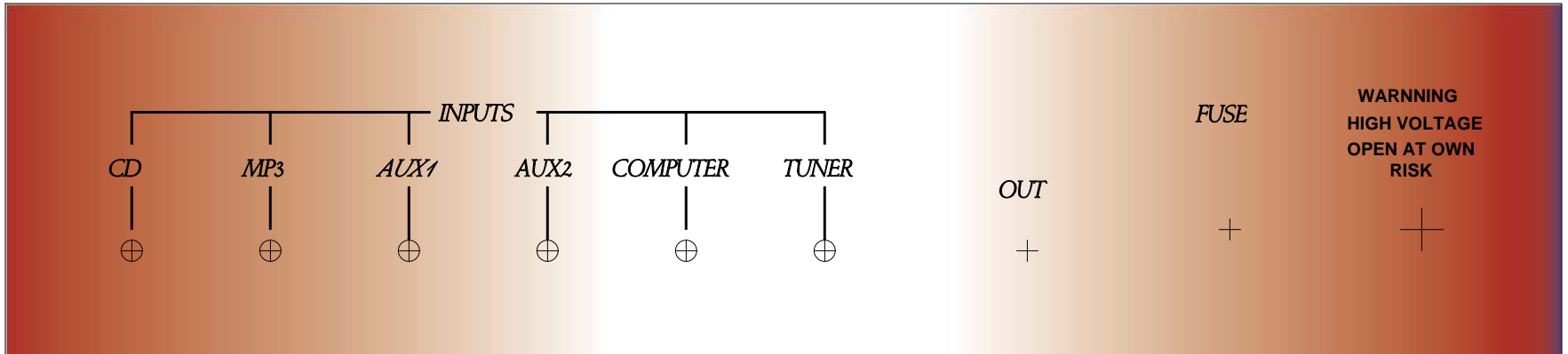
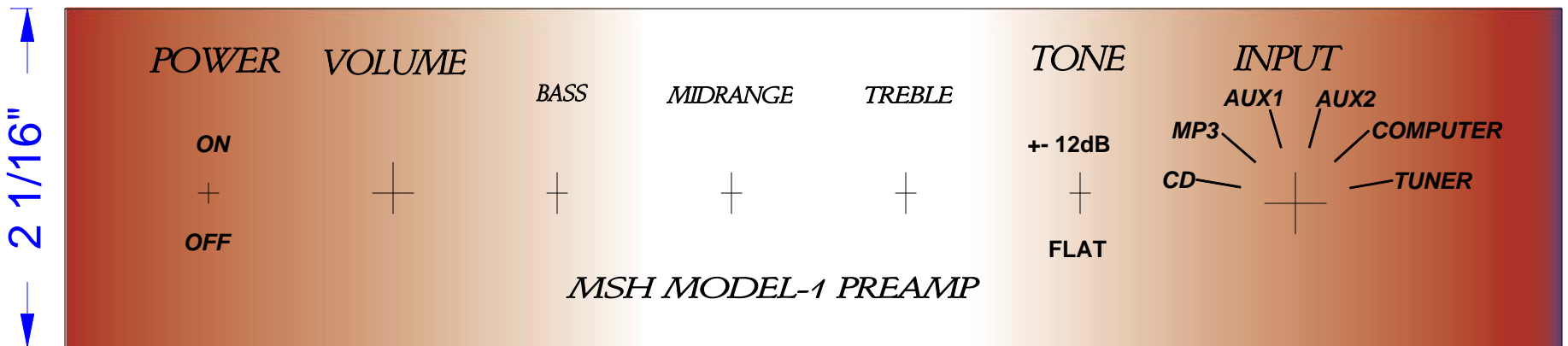


FRONT & BACK DRILLING TEMPLATES

ALSO FRONT & BACK FACE PLATES



9 1/8"



2 1/16"

2"

DATE: 11/17/2008
LETTER SIZED PAPER