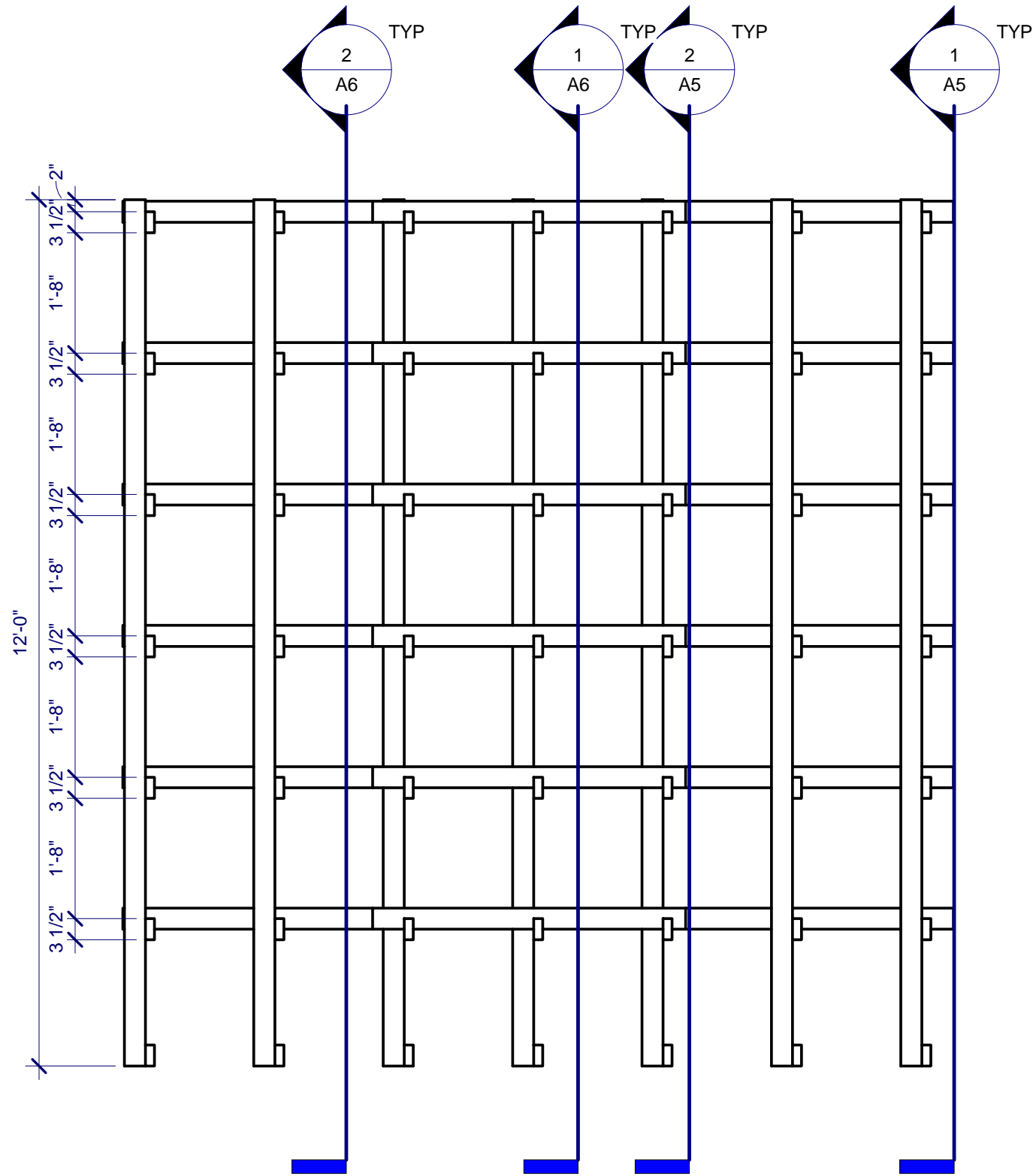


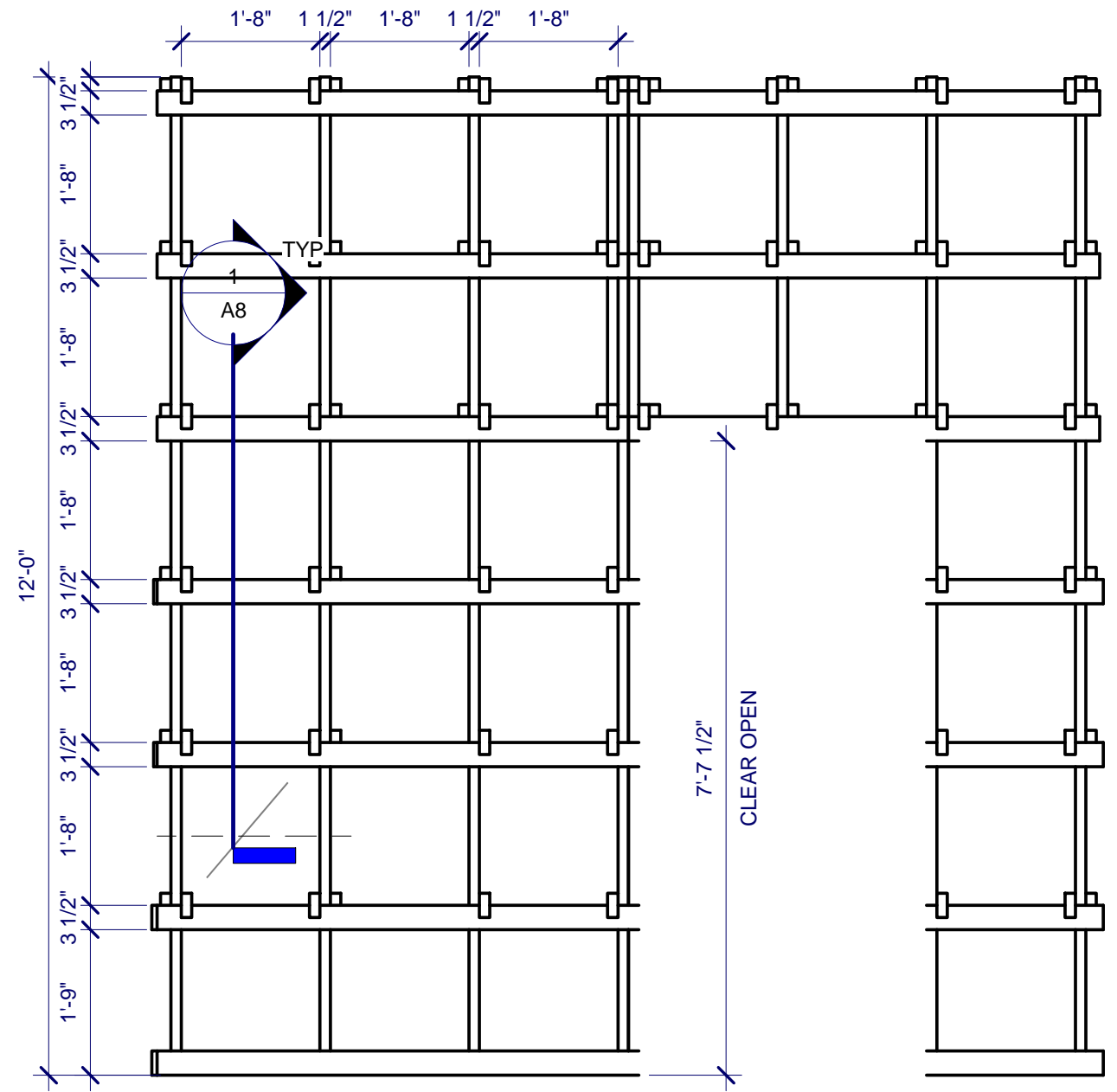
1 FLOOR PLAN
Scale: 1/2" = 1'-0"

floor plan & perspective

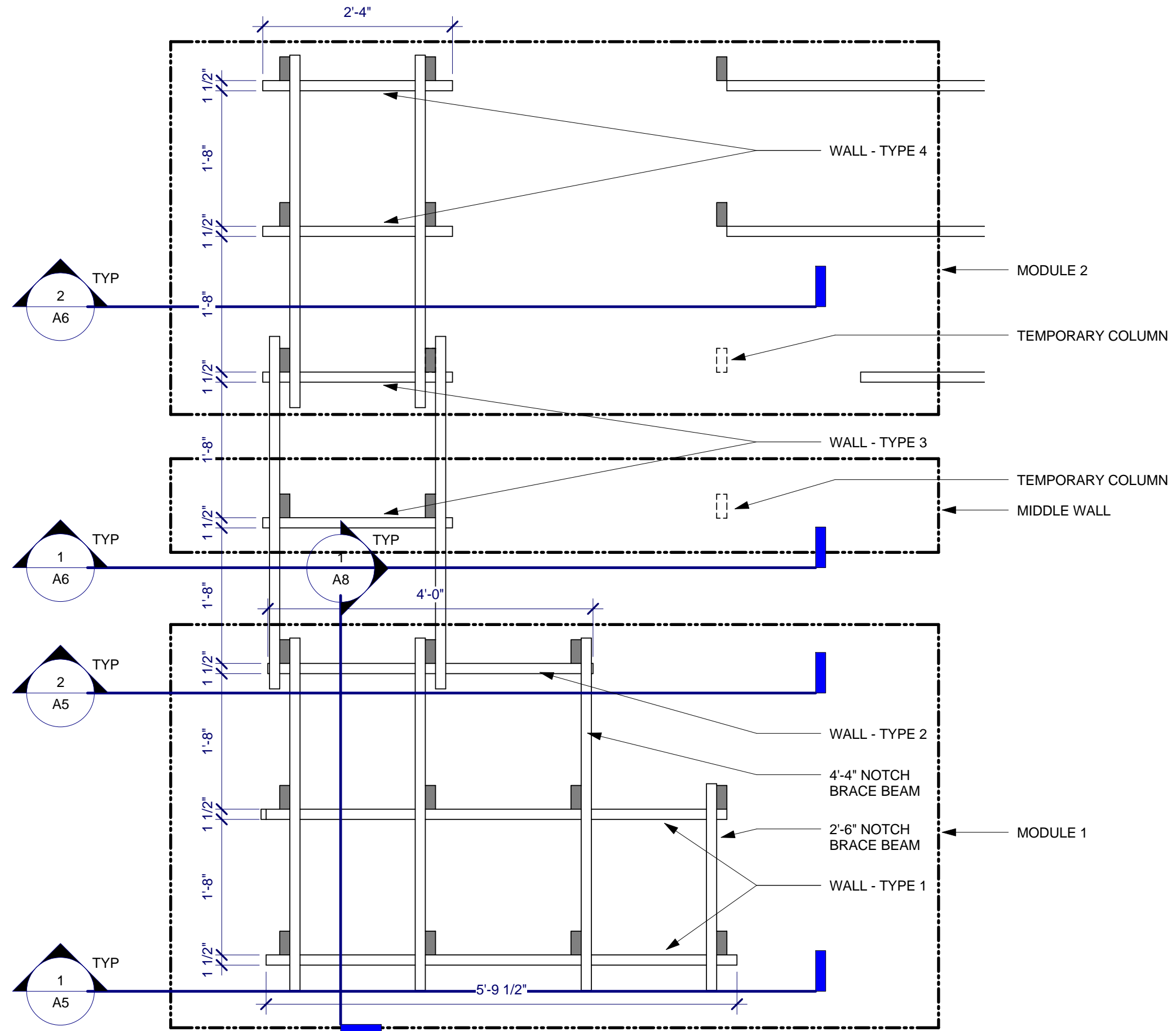
PRISM PORTAL | the spaces we share

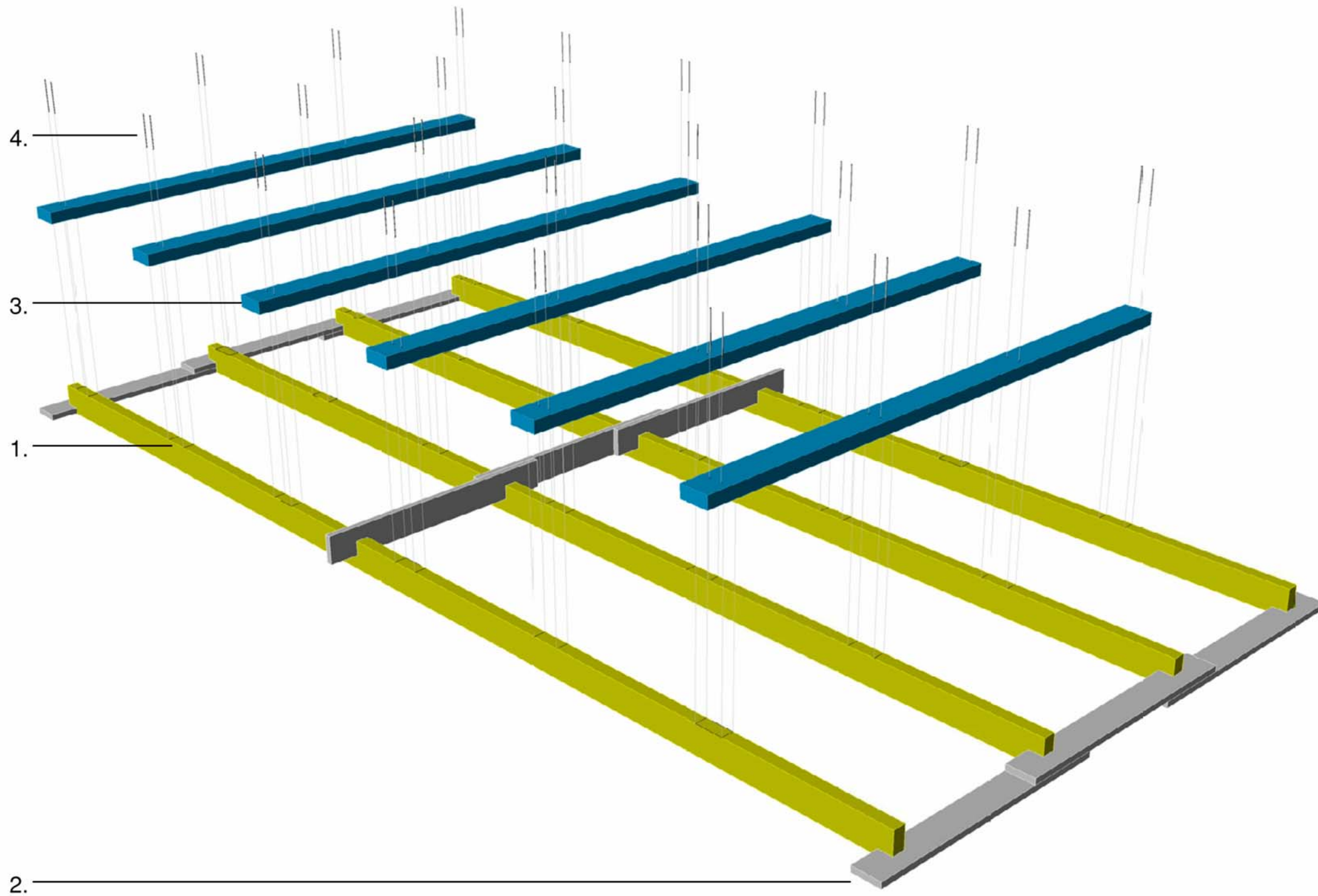


2 SIDE ELEVATION
Scale: 1/2" = 1'-0" 2\ A-615



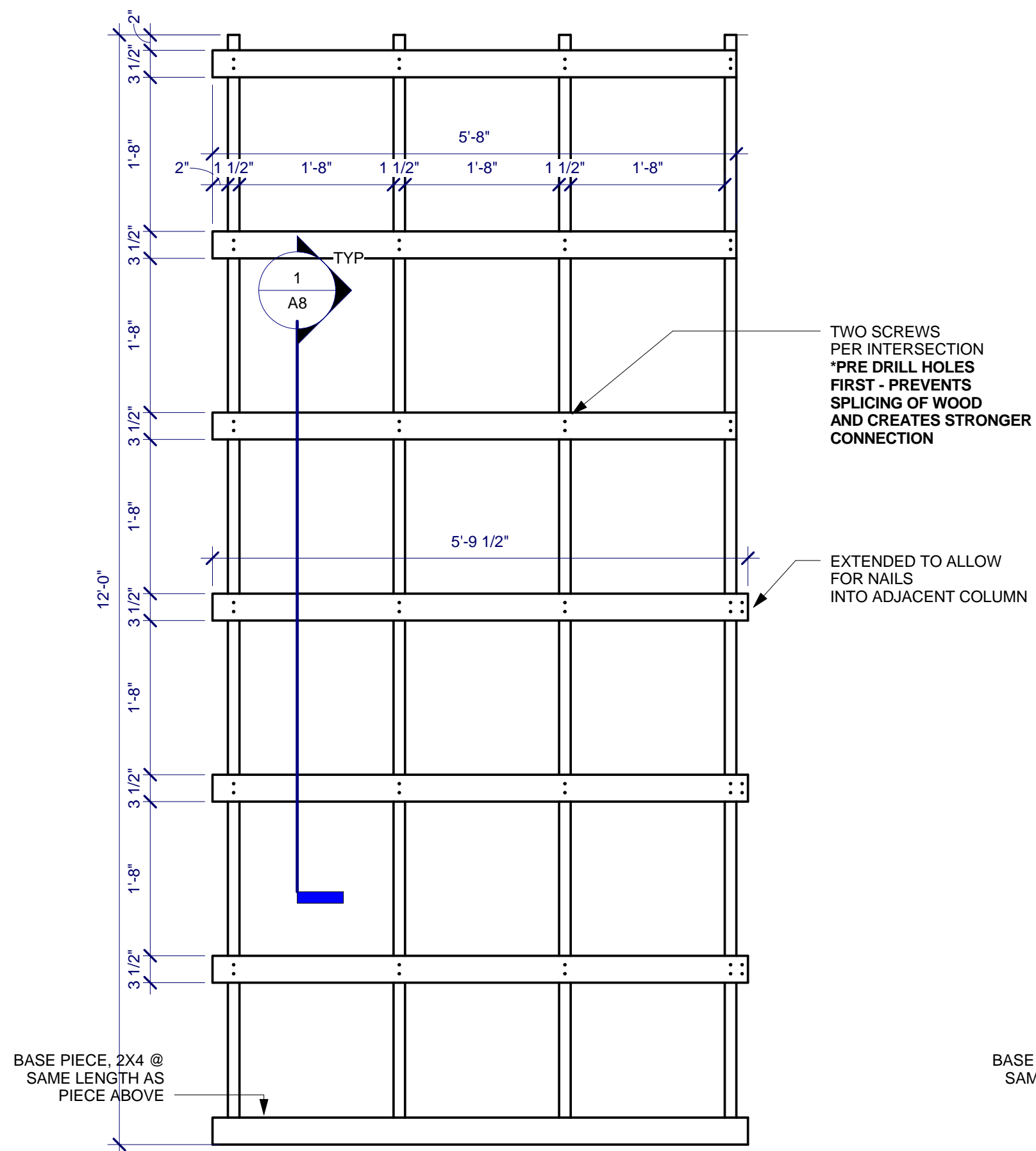
1 FRONT ELEVATION
Scale: 1/2" = 1'-0" 1\ A1



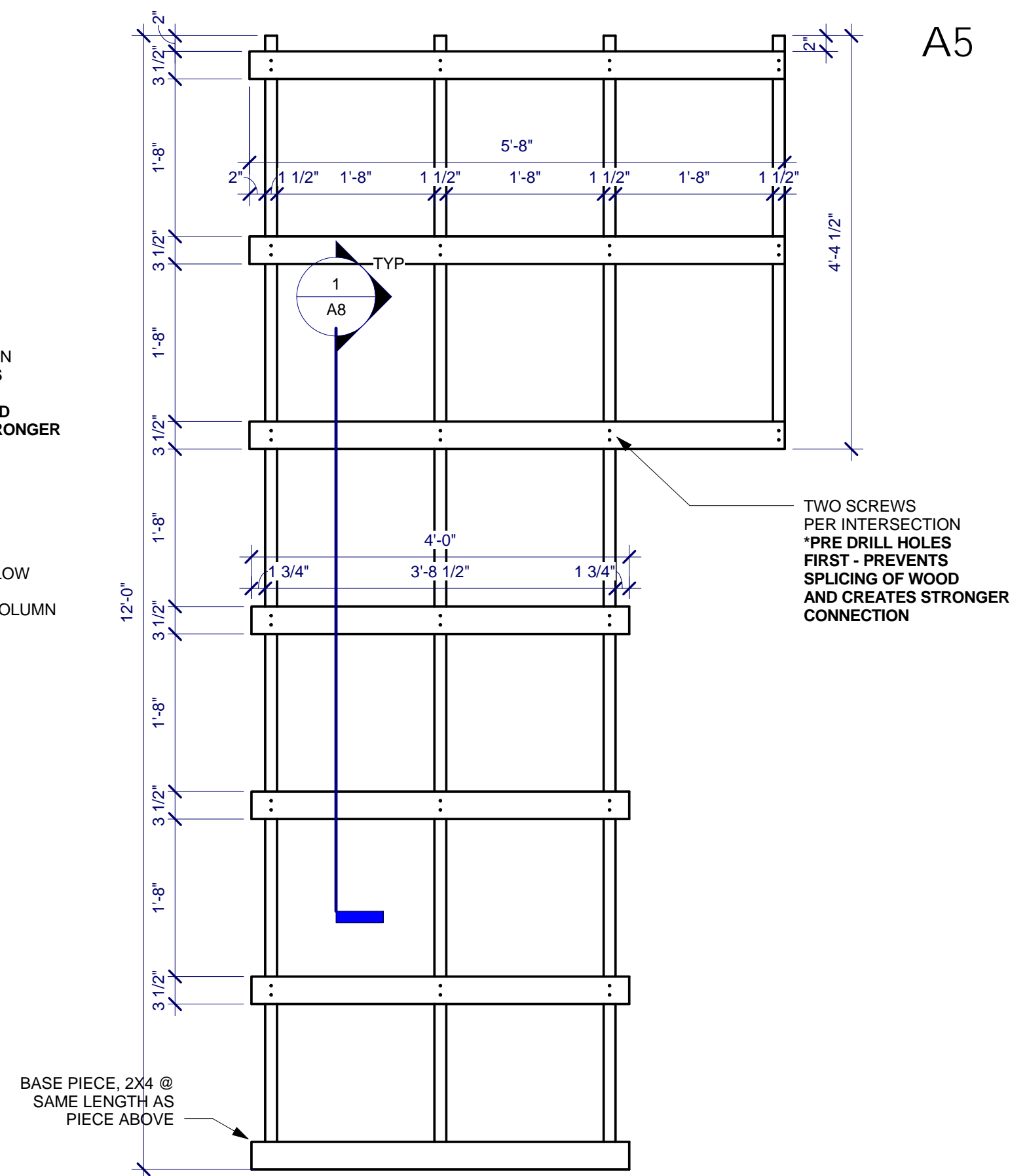


Steps

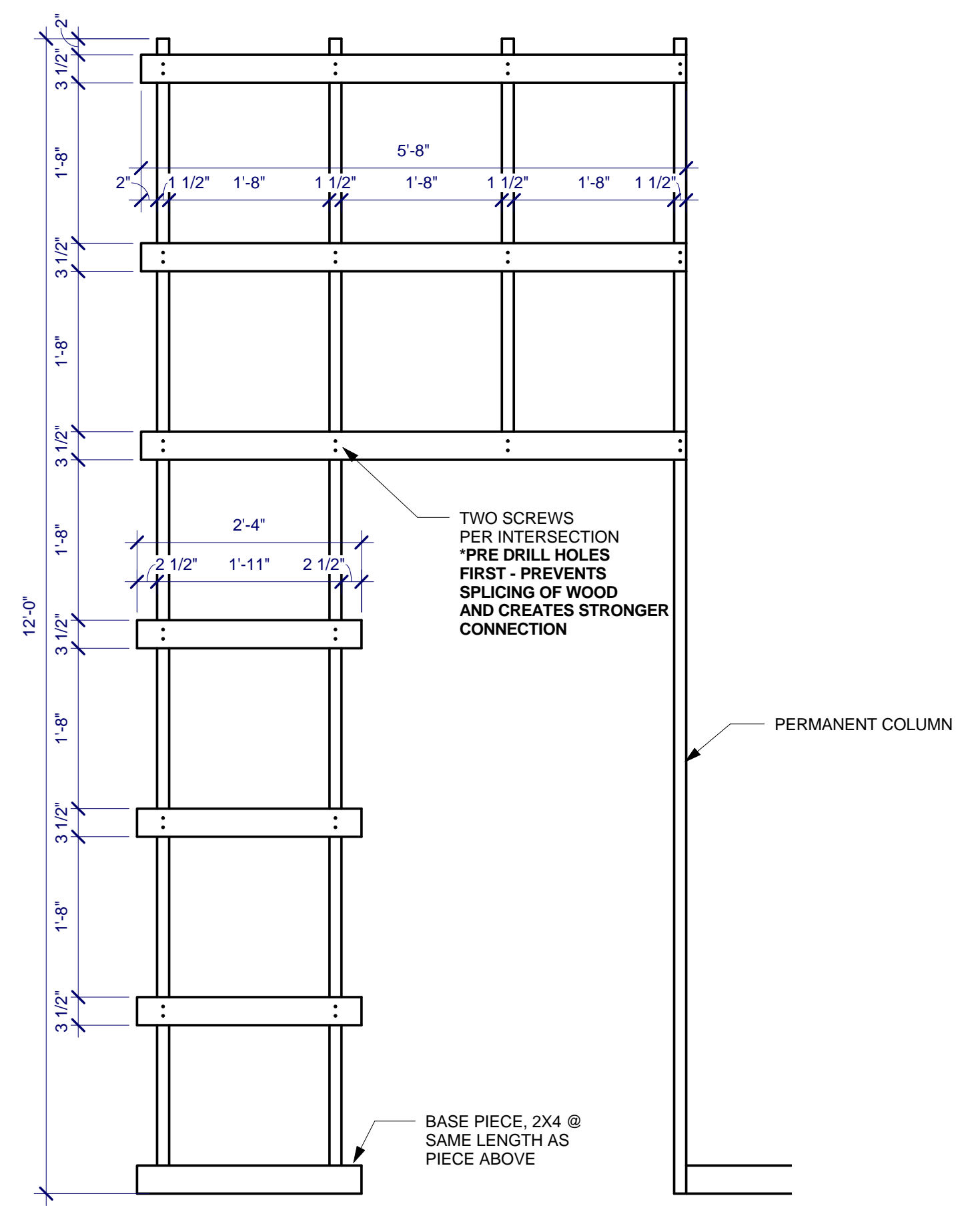
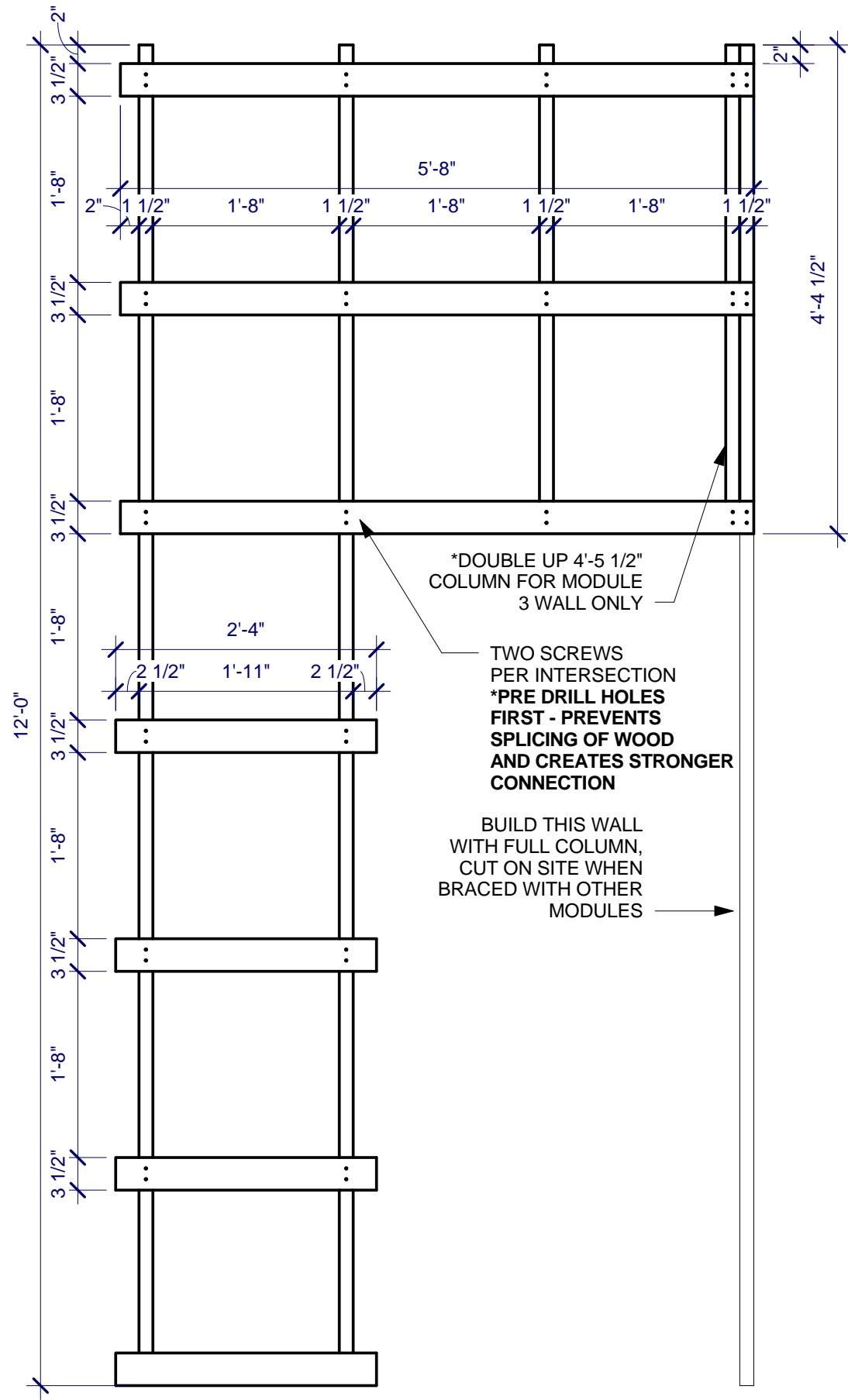
1. Pre-mark dimensions on columns
2. Set notched column guides at top, bottom, and close proximity to middle
3. Align crossbeams to their marks on the columns
4. Pre-drill and double screw in beam to column (prefer to fasten top and bottom crossbeams first).



1 WALL - TYPE 1 (TOTAL OF 4)
 Scale: 3/4" = 1'-0" 1\ A1

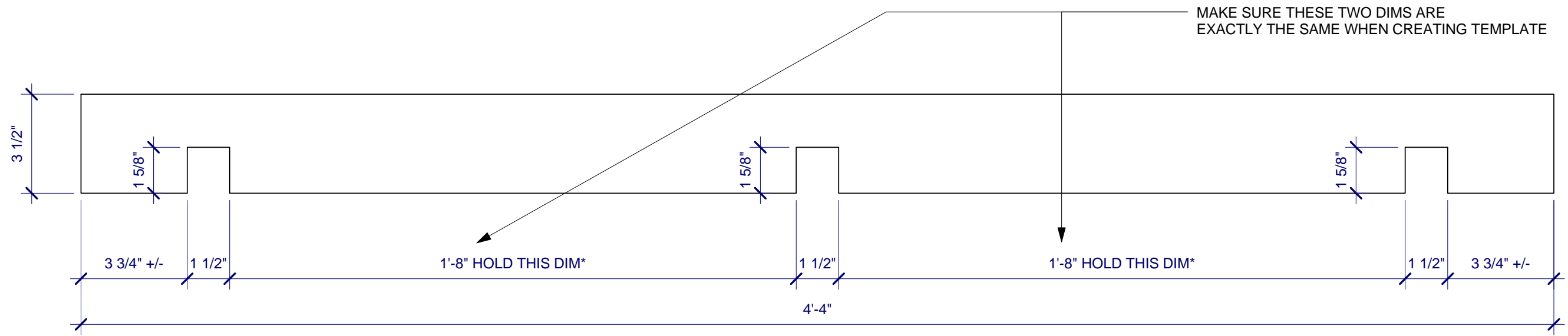


2 WALL - TYPE 2 (TOTAL OF 2)
 Scale: 3/4" = 1'-0" 1\ A1



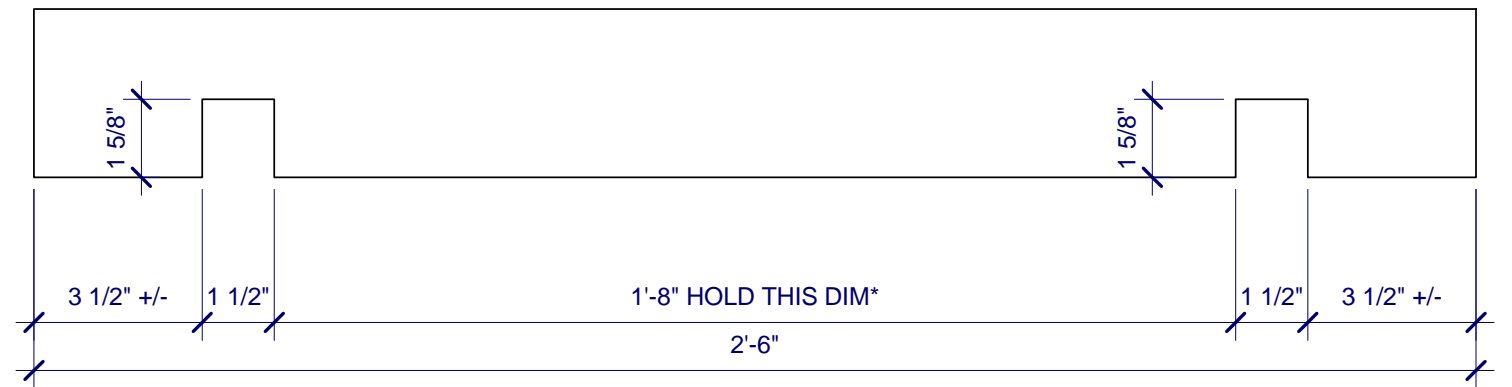
1 WALL - TYPE 3 (TOTAL OF 4)
 Scale: 3/4" = 1'-0" 1\A1

2 WALL - TYPE 4 (TOTAL OF 4)
 Scale: 3/4" = 1'-0" 1\A1

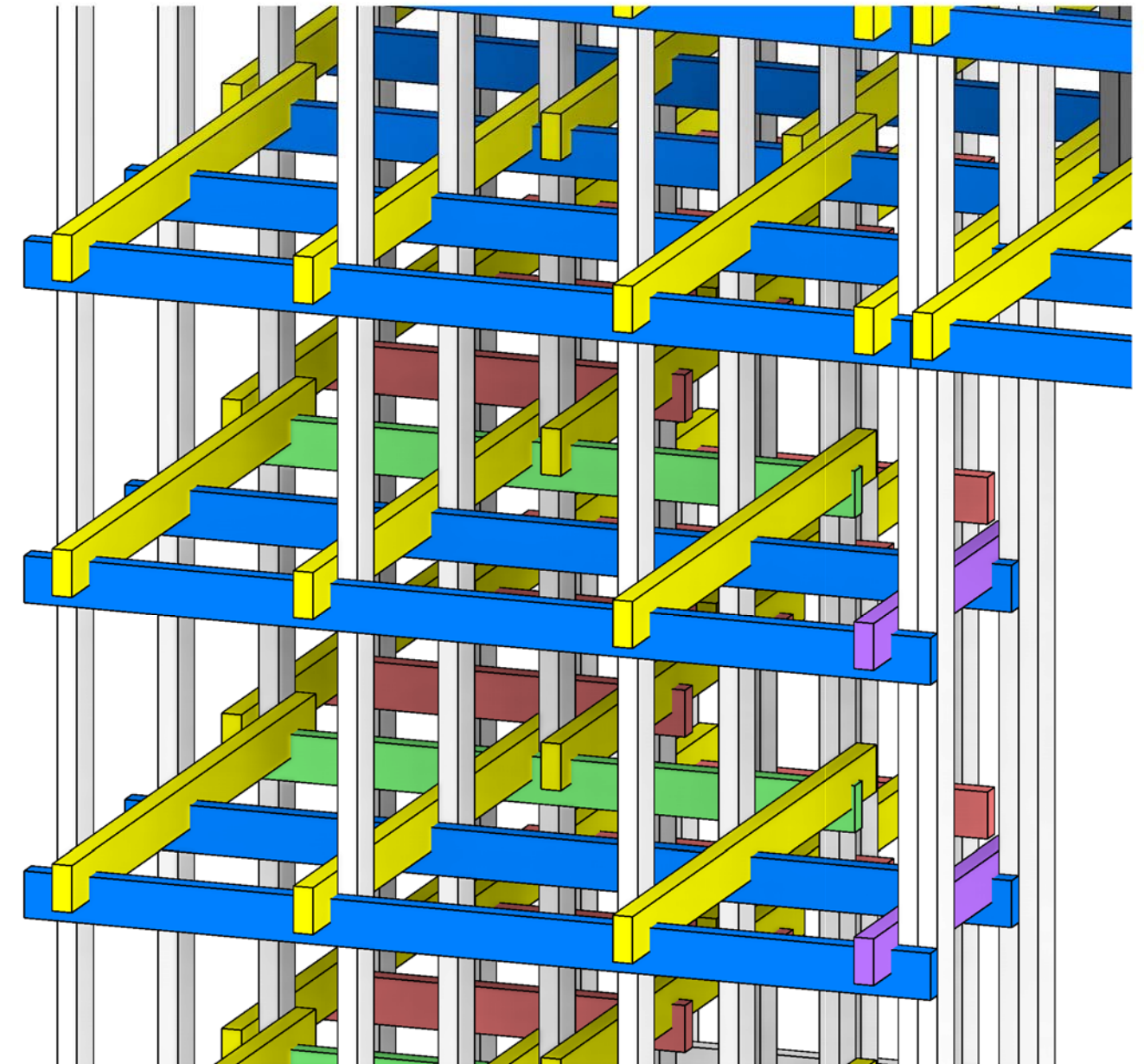
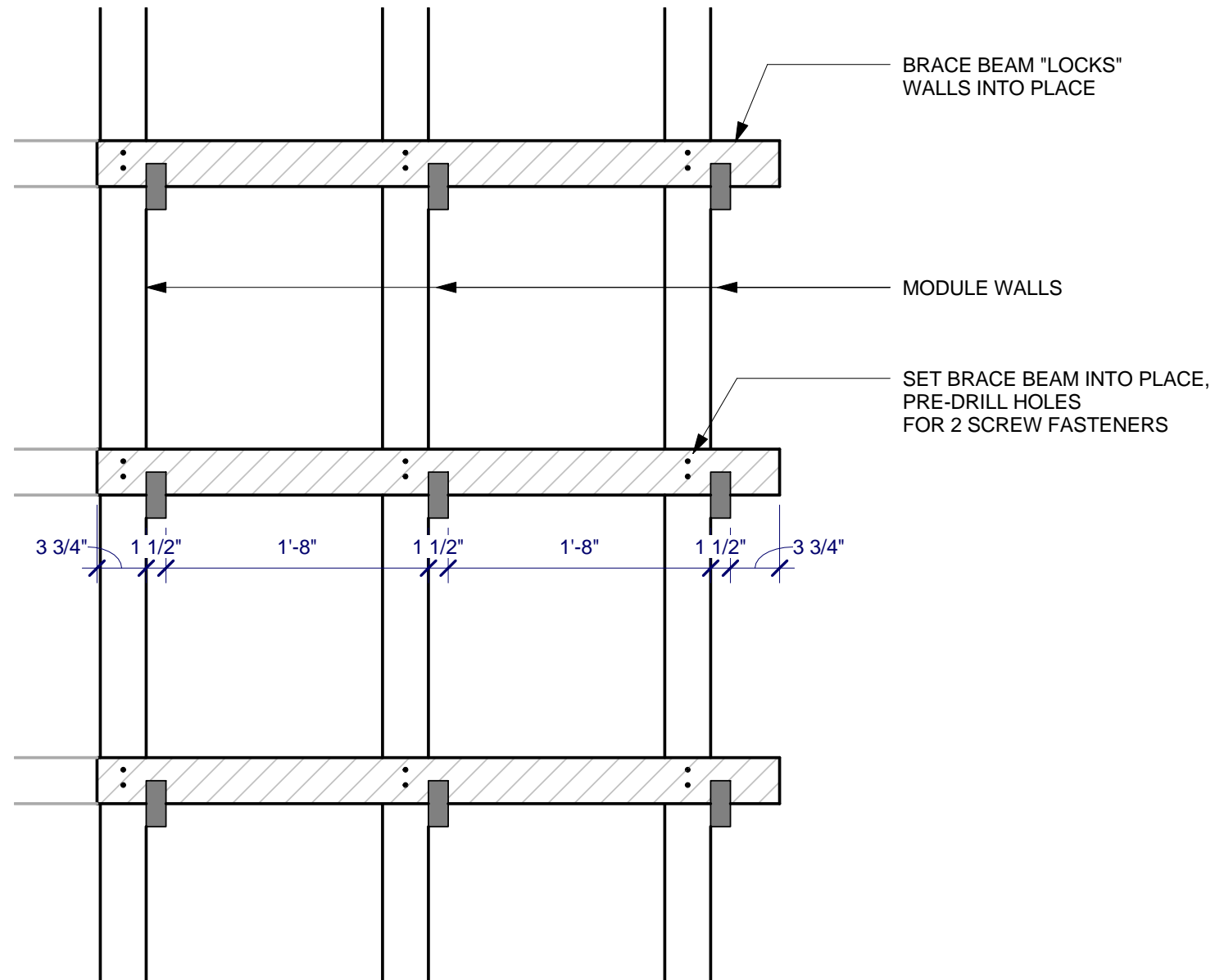


4'-4" BRACE BEAM
 (6) PLYWOOD TEMPLATES FOR ALIGNING COLUMNS AND CUTTING NOTCHES
 (114) TOTAL 2X4 BRACE BEAMS

2'-6" BRACE BEAM
 (1) PLYWOOD TEMPLATES FOR ALIGNING COLUMNS AND CUTTING NOTCHES
 (6) TOTAL 2X4 BRACE BEAMS

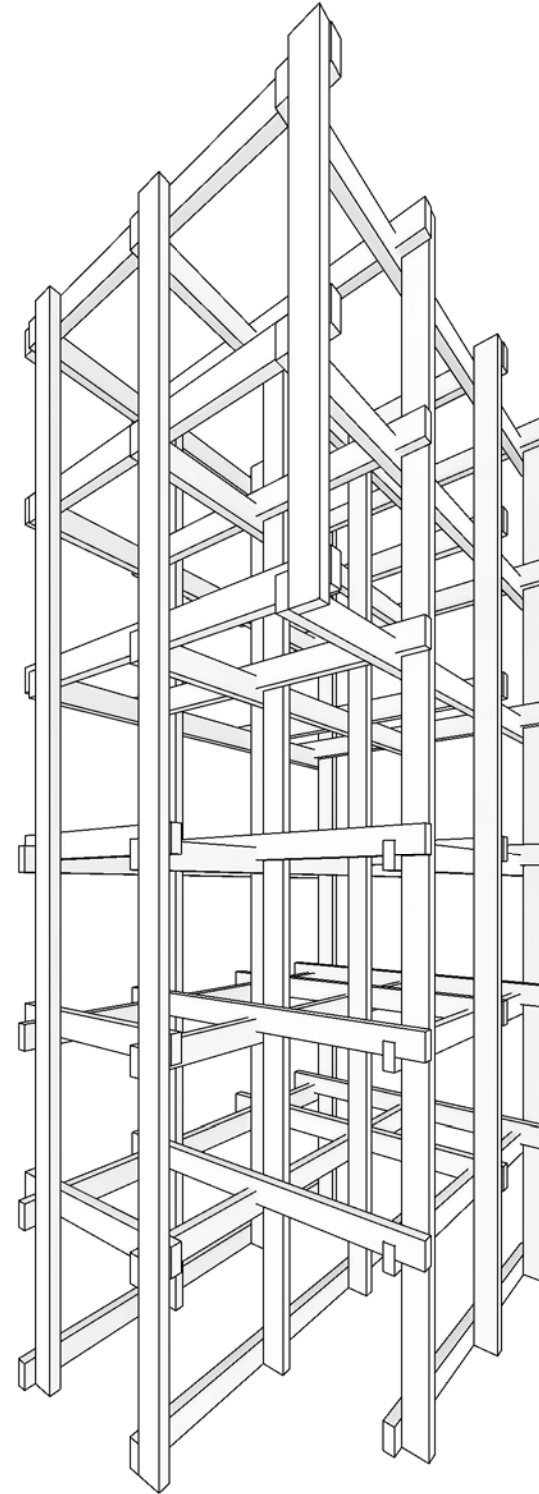
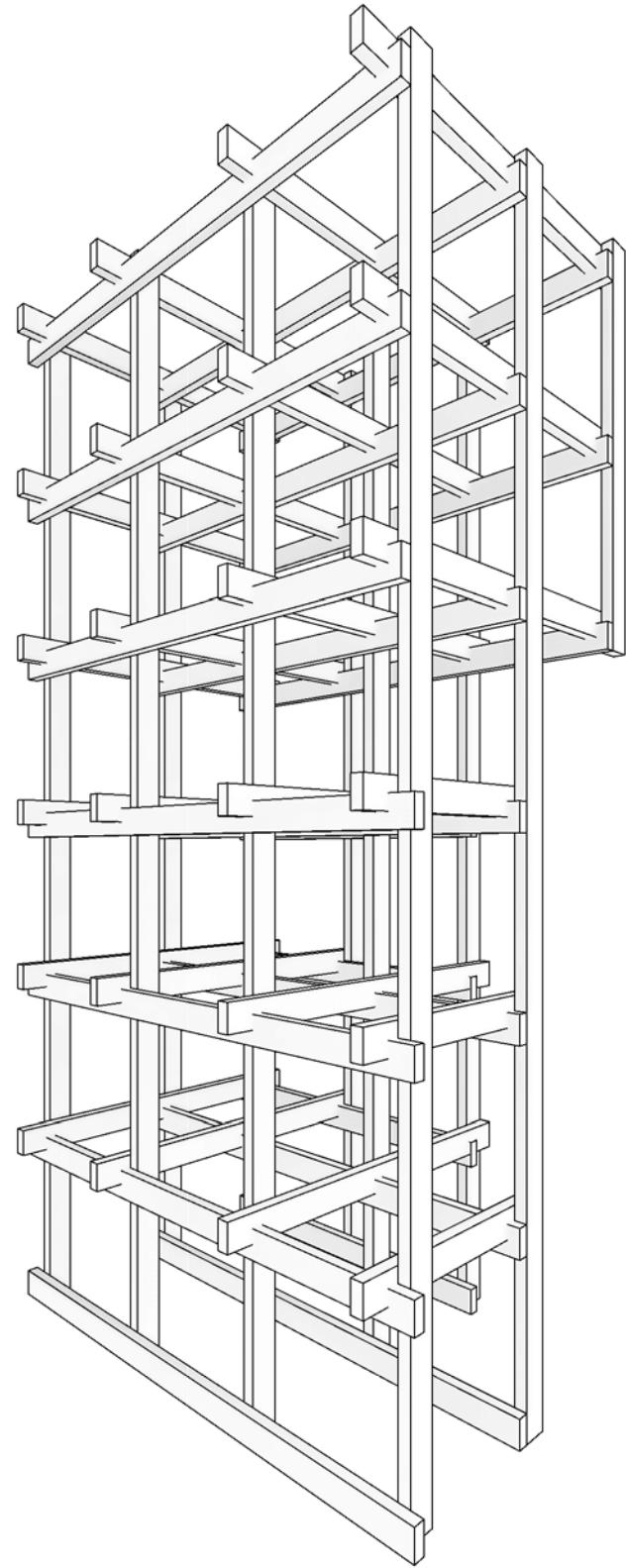


1 Bracing Beams
 Scale: 3" = 1'-0"



1 BRACE BEAM CONNECTION
Scale: 1" = 1'-0" 1/A1

2 3D VIEW - BRACE BEAMS
Scale:



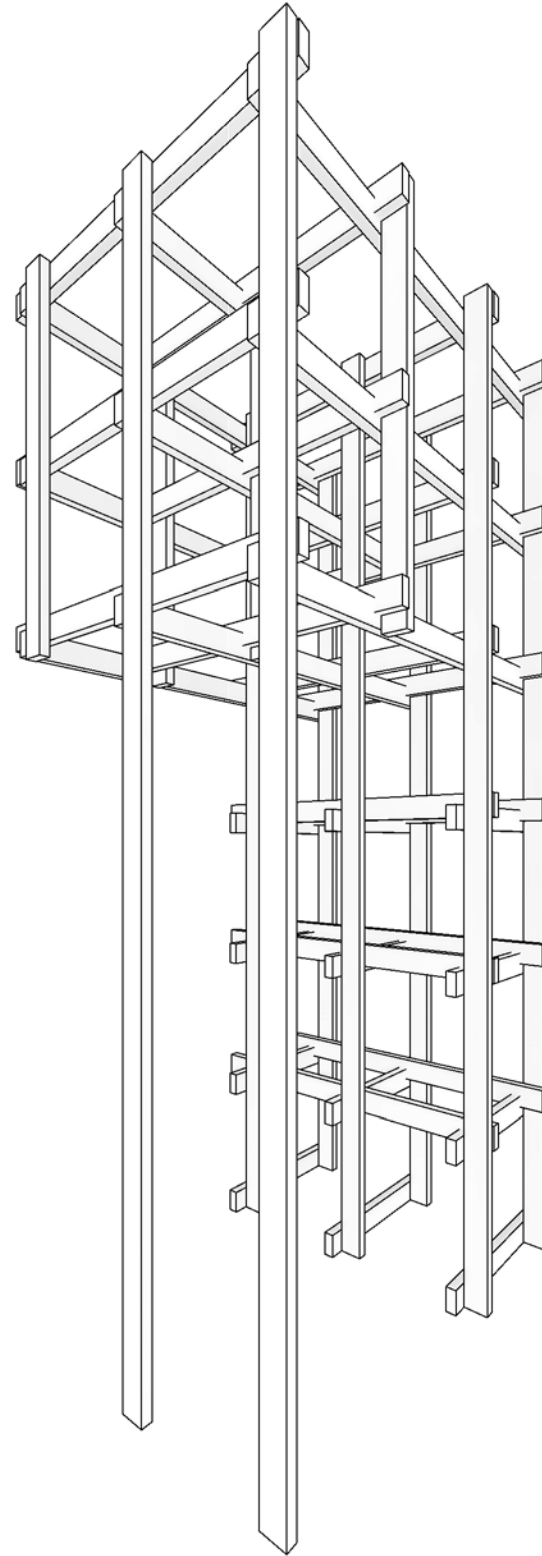
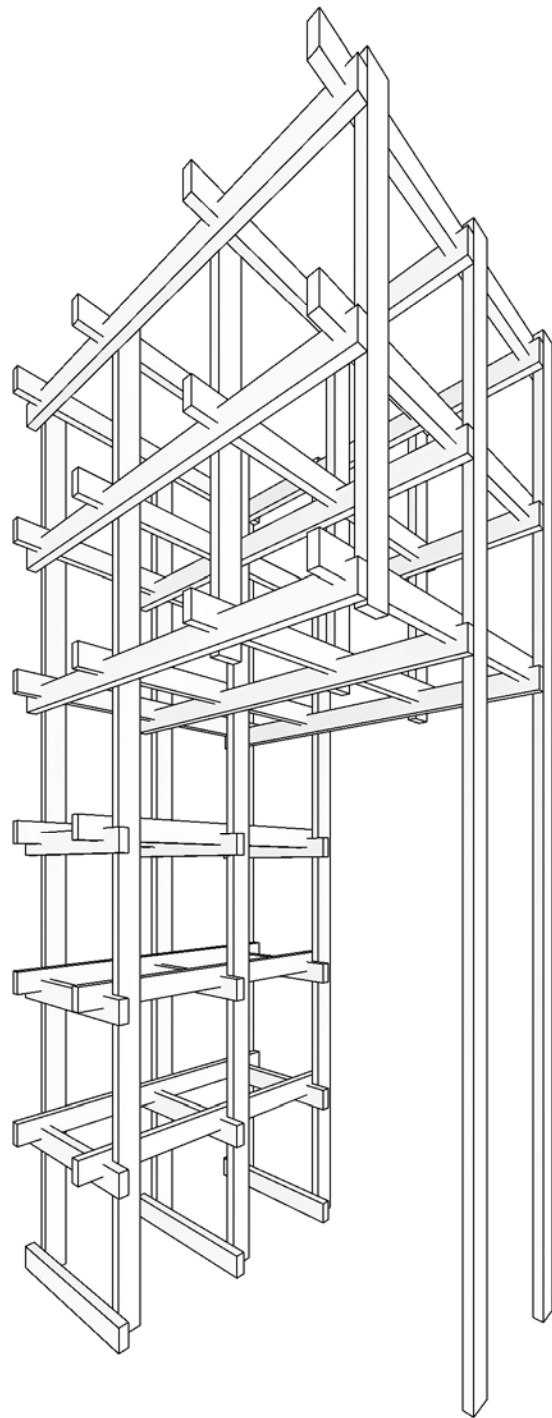
MODULE 1 CONSISTS OF

WALL 1 - (2)
WALL 2 - (1)

*MODULE 3 WILL ONLY CONSIST OF (1)
WALL (WALL TYPE 3) AND IT WILL ACT AS
THE MIDDLE WALL WHICH BRACES
MODULES 1 & 2 TOGETHER

1 MODULE 1 VIEW 1
Scale:

2 MODULE 1 VIEW 2
Scale:



MODULE 2 CONSISTS OF

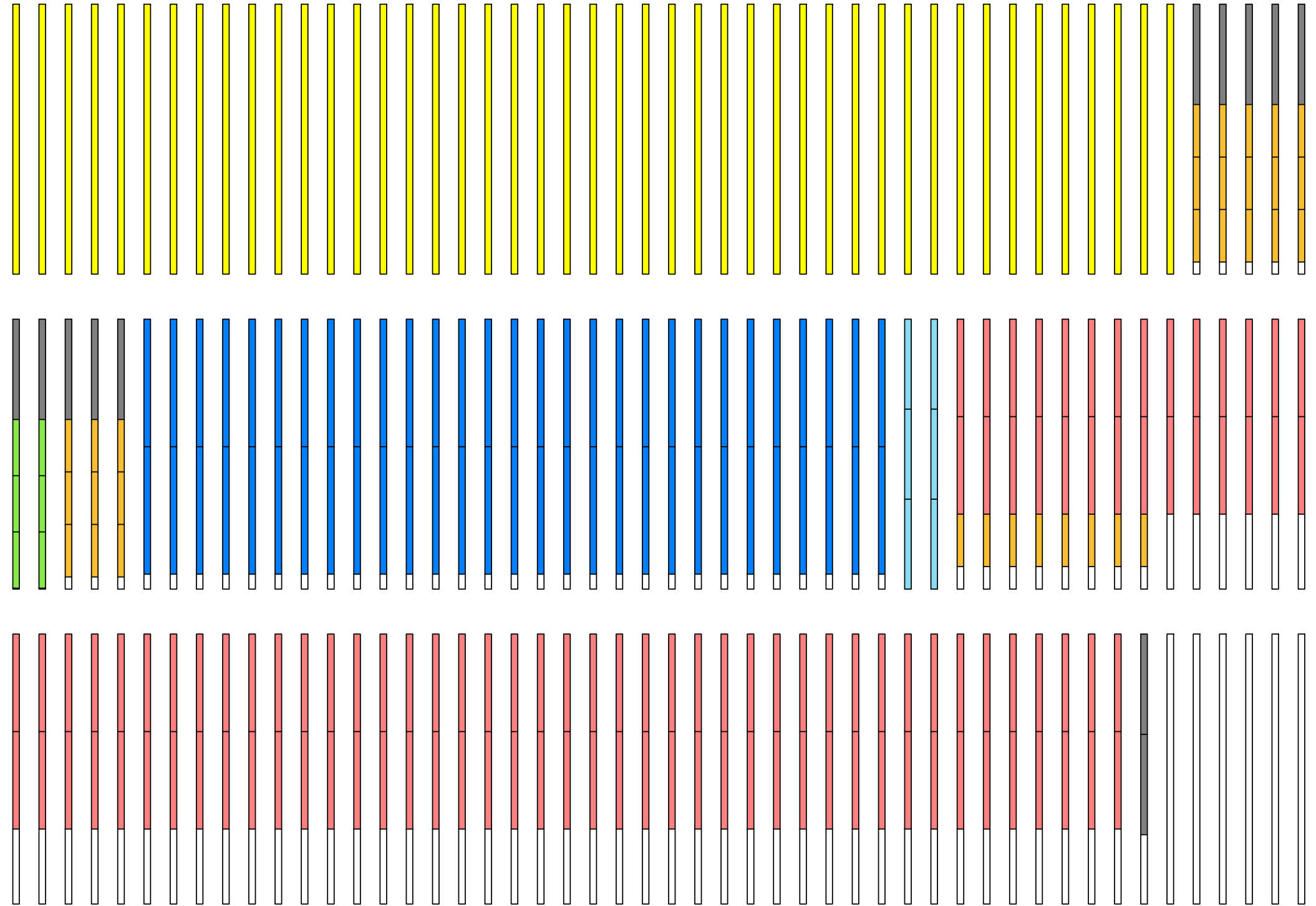
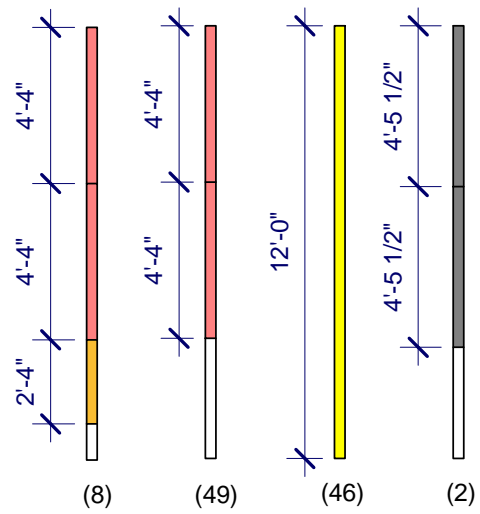
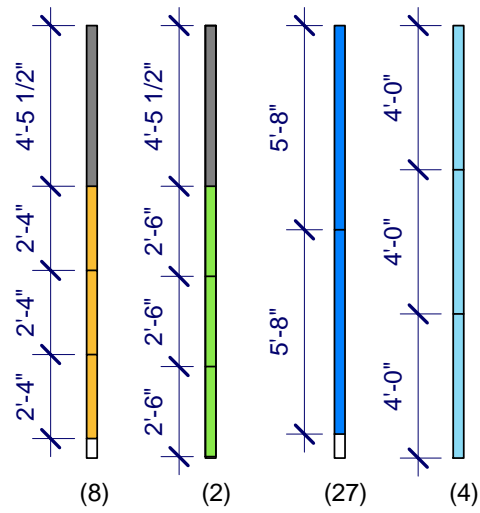
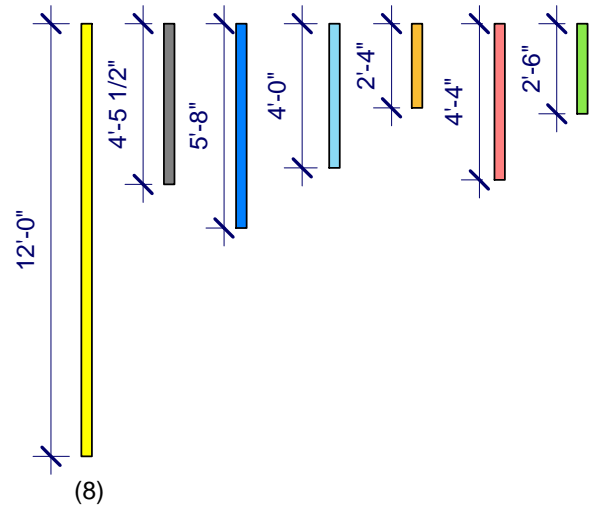
WALL 3 - (1)
WALL 4 - (2)

*WALL 3 WILL HAVE TEMPORARY COLUMN WHICH WE WILL CUT IN FIELD WHEN THE MODULE IS BOLTED TO THE ADJACENT MODULE

*MODULE 3 WILL ONLY CONSIST OF (1) WALL (WALL TYPE 3) AND IT WILL ACT AS THE MIDDLE WALL WHICH BRACES MODULES 1 & 2 TOGETHER

1 **MODULE 2 VIEW 1**
Scale: _____

2 **MODULE 2 VIEW 2**
Scale: _____



PIECES NEEDED LAYED OUT ON (150) PIECES PURCHASED