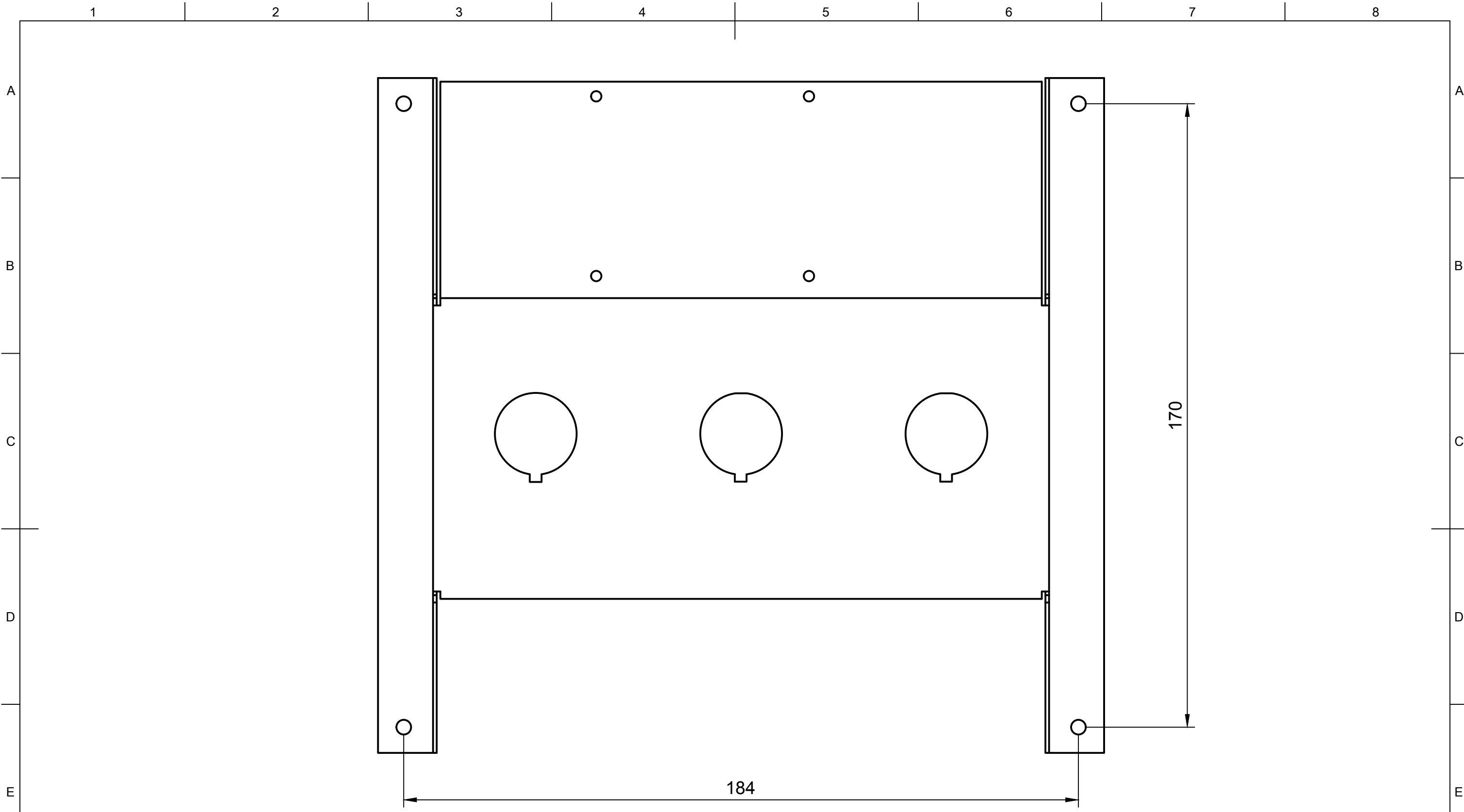
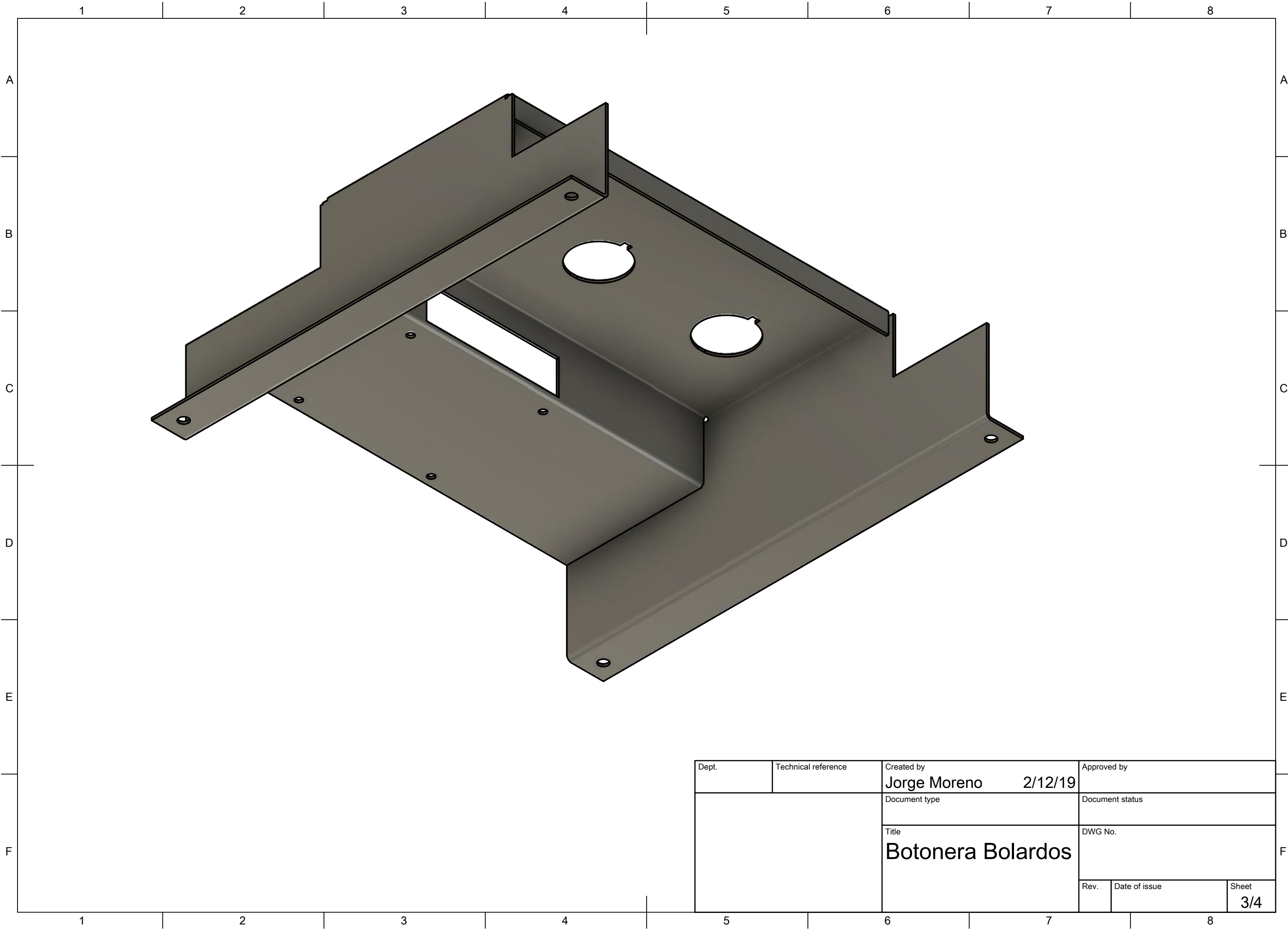


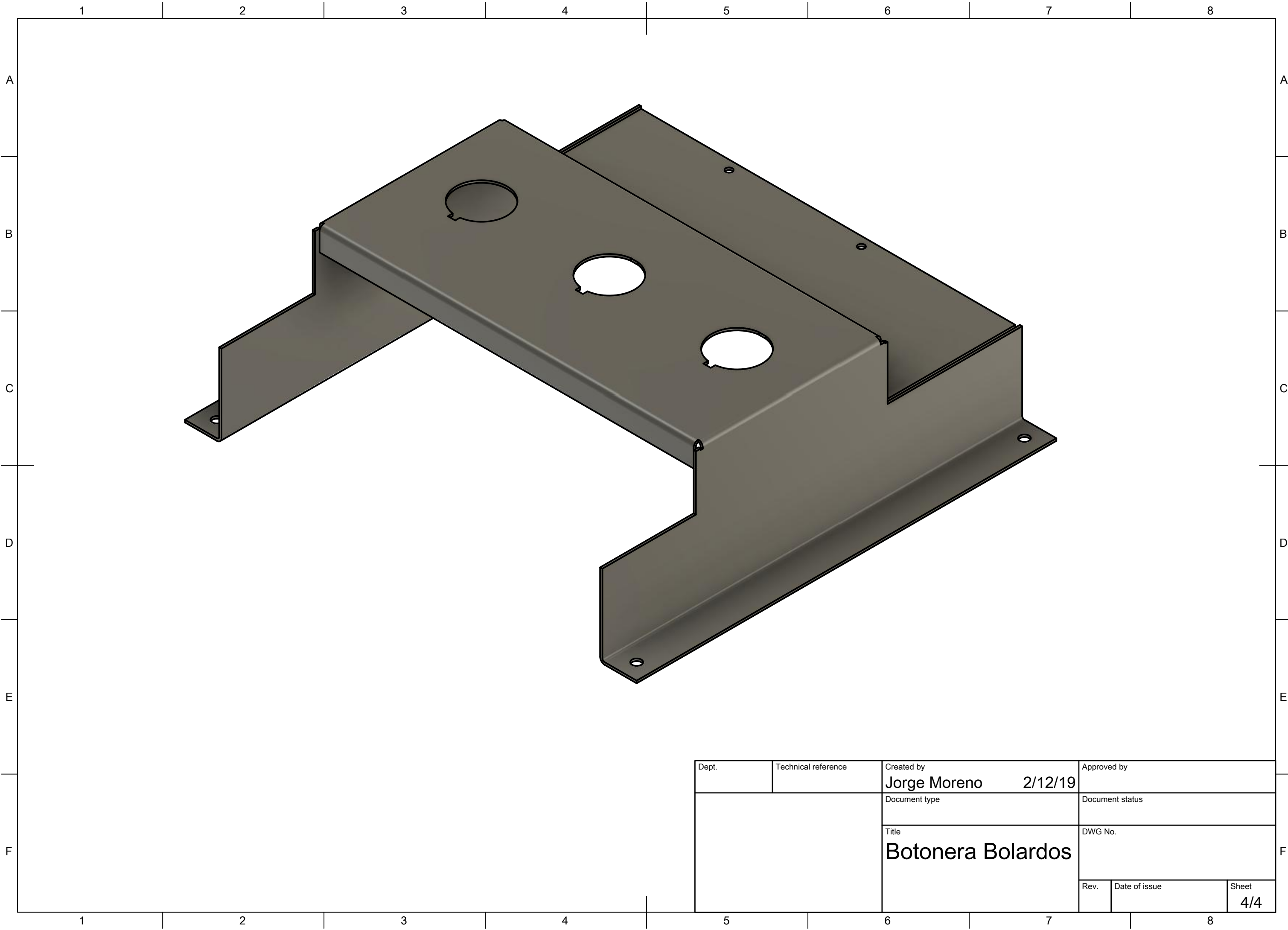
Dept.	Technical reference	Created by Jorge Moreno 2/12/19	Approved by
		Document type	Document status
		Title Botonera Bolardos	DWG No.
Rev.	Date of issue	Sheet 1/4	



Dept.	Technical reference	Created by Jorge Moreno 2/12/19	Approved by
		Document type	Document status
		Title Botonera Bolardos	DWG No.
	Rev.	Date of issue	Sheet 2/4



Dept.	Technical reference	Created by Jorge Moreno	2/12/19	Approved by
		Document type	Document status	
		Title Botonera Bolardos	DWG No.	
Rev.	Date of issue	Sheet		3/4



Dept.	Technical reference	Created by Jorge Moreno	2/12/19	Approved by
		Document type	Document status	
		Title Botonera Bolardos	DWG No.	
		Rev.	Date of issue	Sheet 4/4