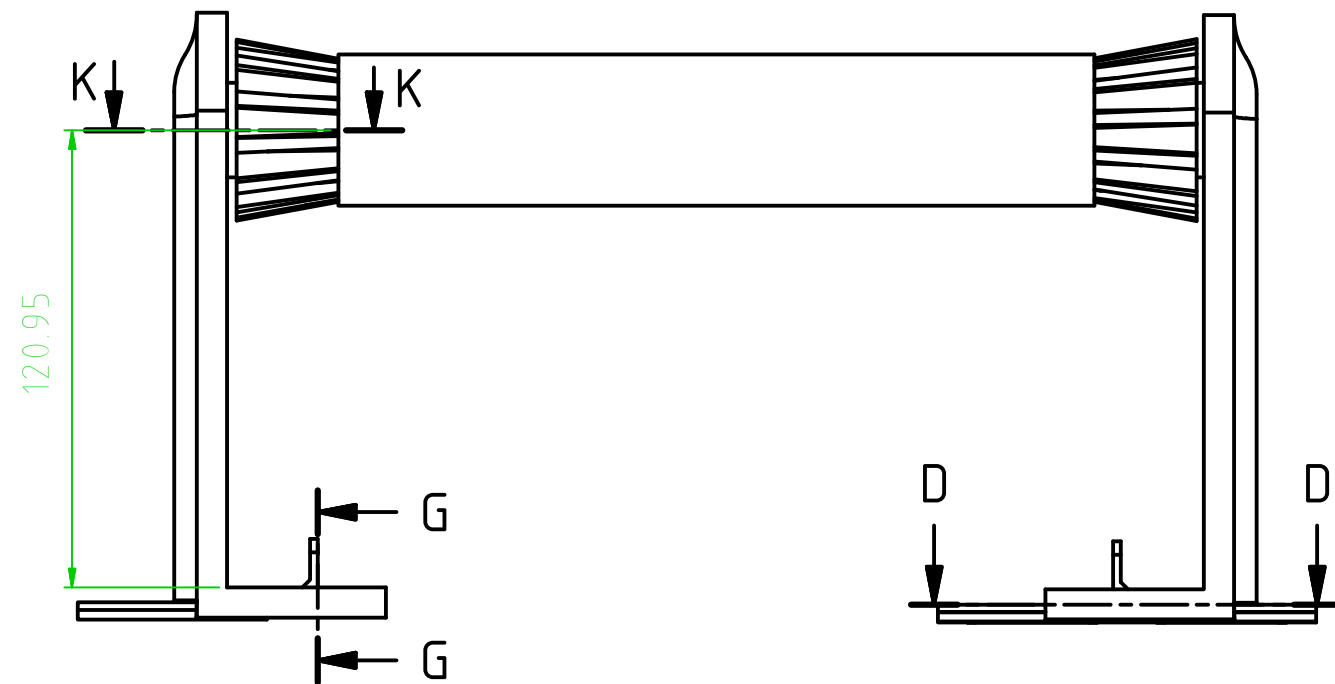
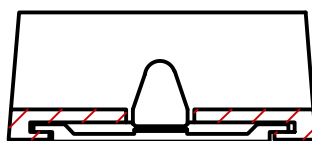


ZIP lock system for easy unlock and change length

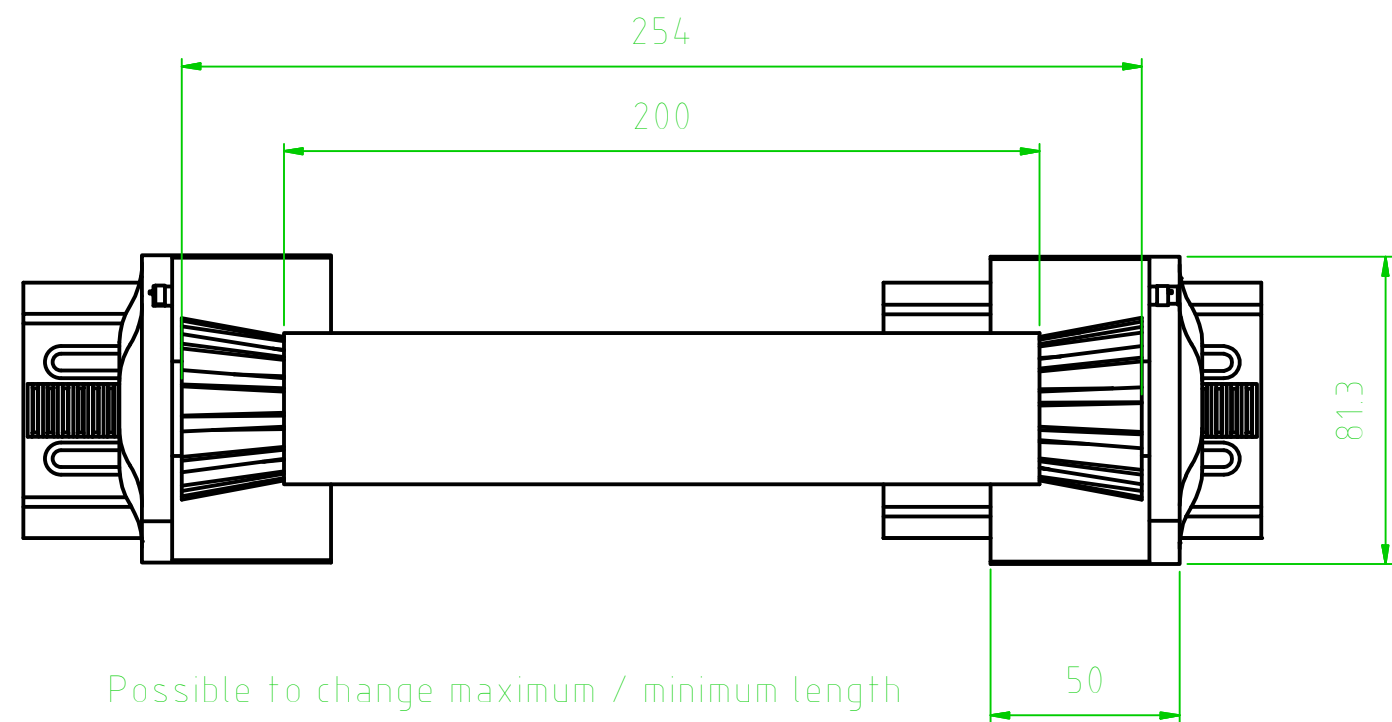
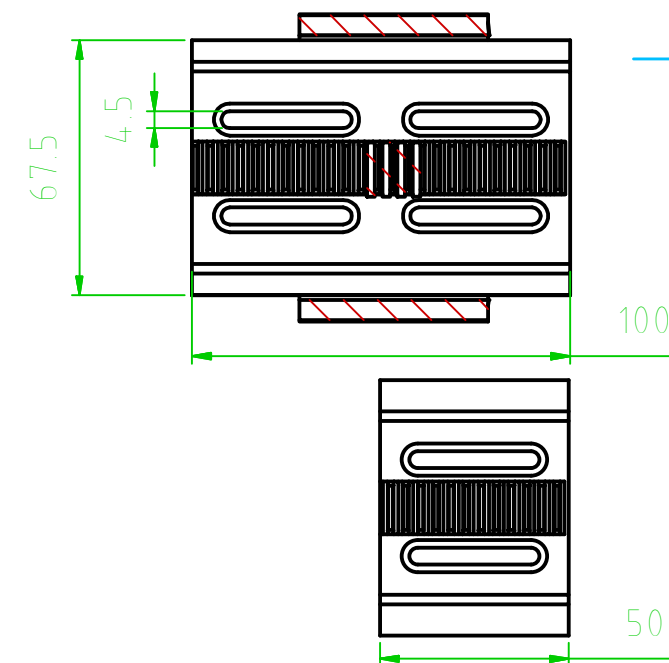
G-G (1 : 2)



Fastening mechanism for different inside roll diameters

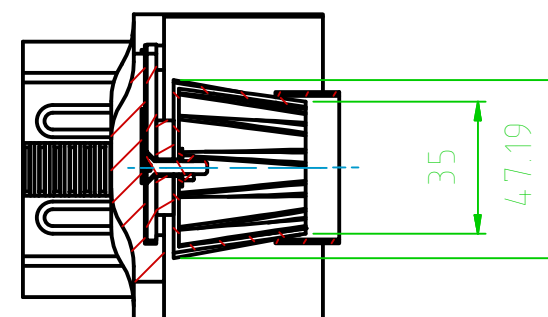
ZIP RAIL (long + short)
Moveable on screws

D-D (1 : 2)



Possible to change maximum / minimum length of different kind of rolls and diameters

K-K (1 : 2)



		Surface	Scale 1:2	Position v2	Quantity 1
			AEZ	-	-
		Date	Name	PAPER TOWEL ROLLER	
		Drawn 5.5.2016	Jaromir Efler		
		Checked	3D Object		
		Standard			
				v2	Page -
					Pg
State	Changes	Date	Name	Filename	PAPER TOWEL ROLLER