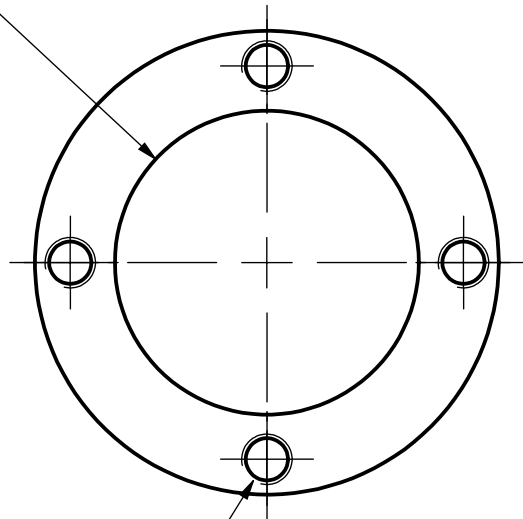
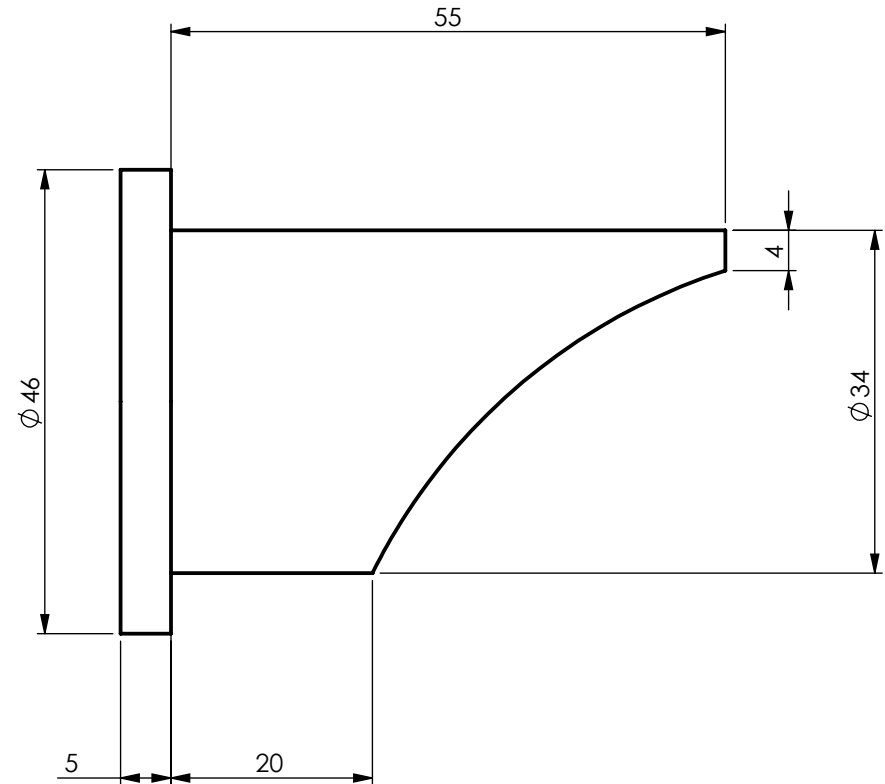



Ø 30



M5x0.8 x4
PCD 38mm
Equally Spaced



Designed by: Group B6	Checked by: JW	Units mm	Scale NTS	Dates 20/10/14	Material Aluminium	General Tolerance ±0.2mm
 LIMERICK INSTITUTE OF TECHNOLOGY SCHOOL OF SCIENCE, ENGINEERING & I.T. <i>Department of Mechanical & Automobile Engineering</i>				Title: Inlet Pipe		
				No. MEB3-G6 no.007 - Rev. 1		