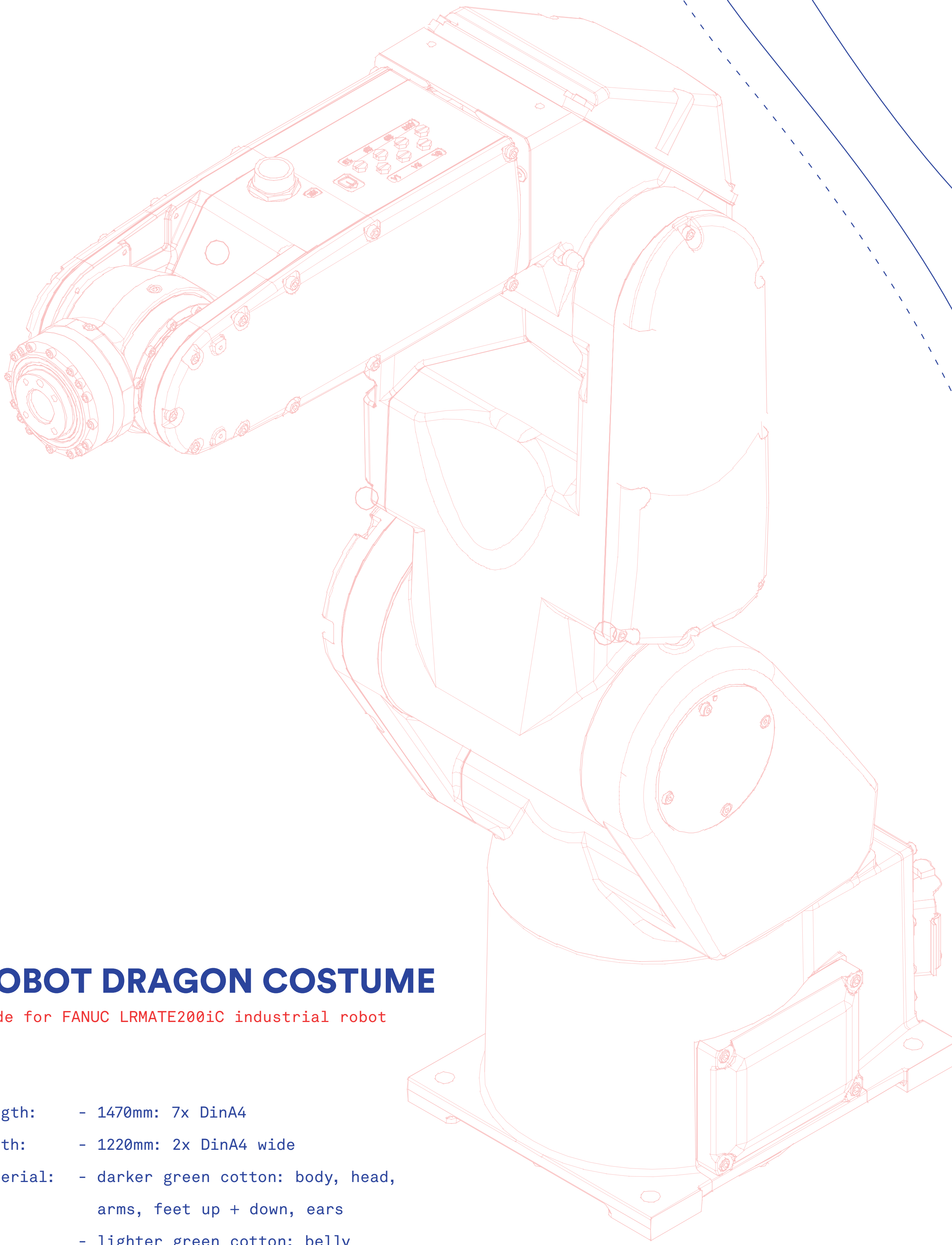


1 body
on fold

3 belly

9 arms
x2
on fold

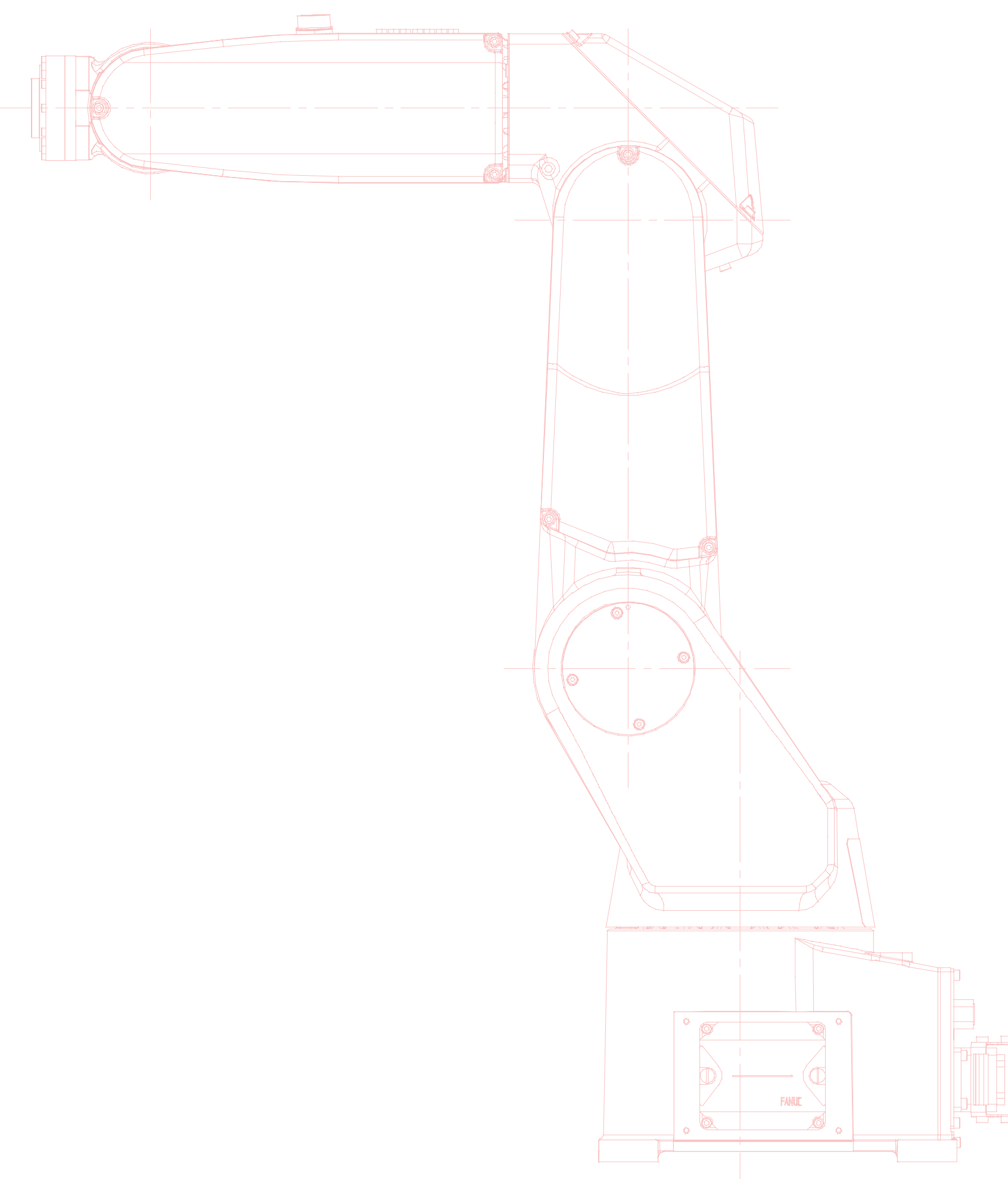


4 head
x2
on fold

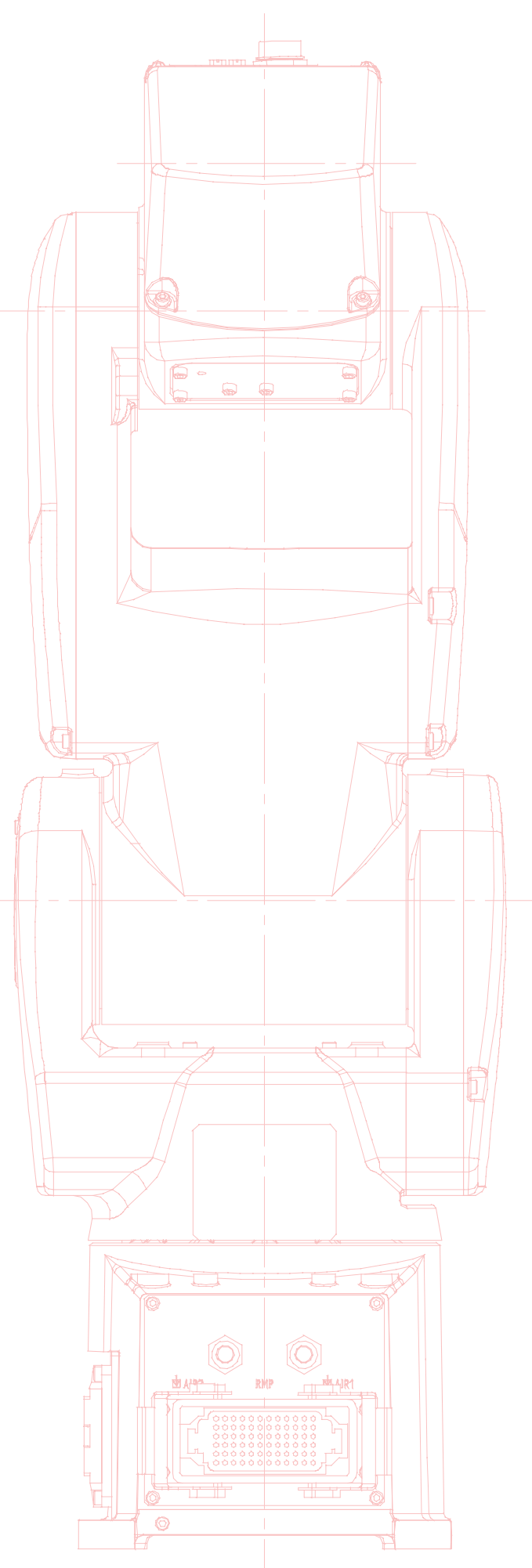
ROBOT DRAGON COSTUME

made for FANUC LRIMATE200iC industrial robot

- length: - 1470mm: 7x DinA4
- width: - 1220mm: 2x DinA4 wide
- material: - darker green cotton: body, head, arms, feet up + down, ears
- lighter green cotton: belly
- white cotton: toes, fingers
- red felt: dragon spikes, ears inside
- paper: 14x DinA4
- colored thread for each cotton



7 feet down
x2
on fold



8 toes + fingers
x4

5 ears
x2
on fold

2 spikes
x6
on fold

6 feet up
x2
on fold