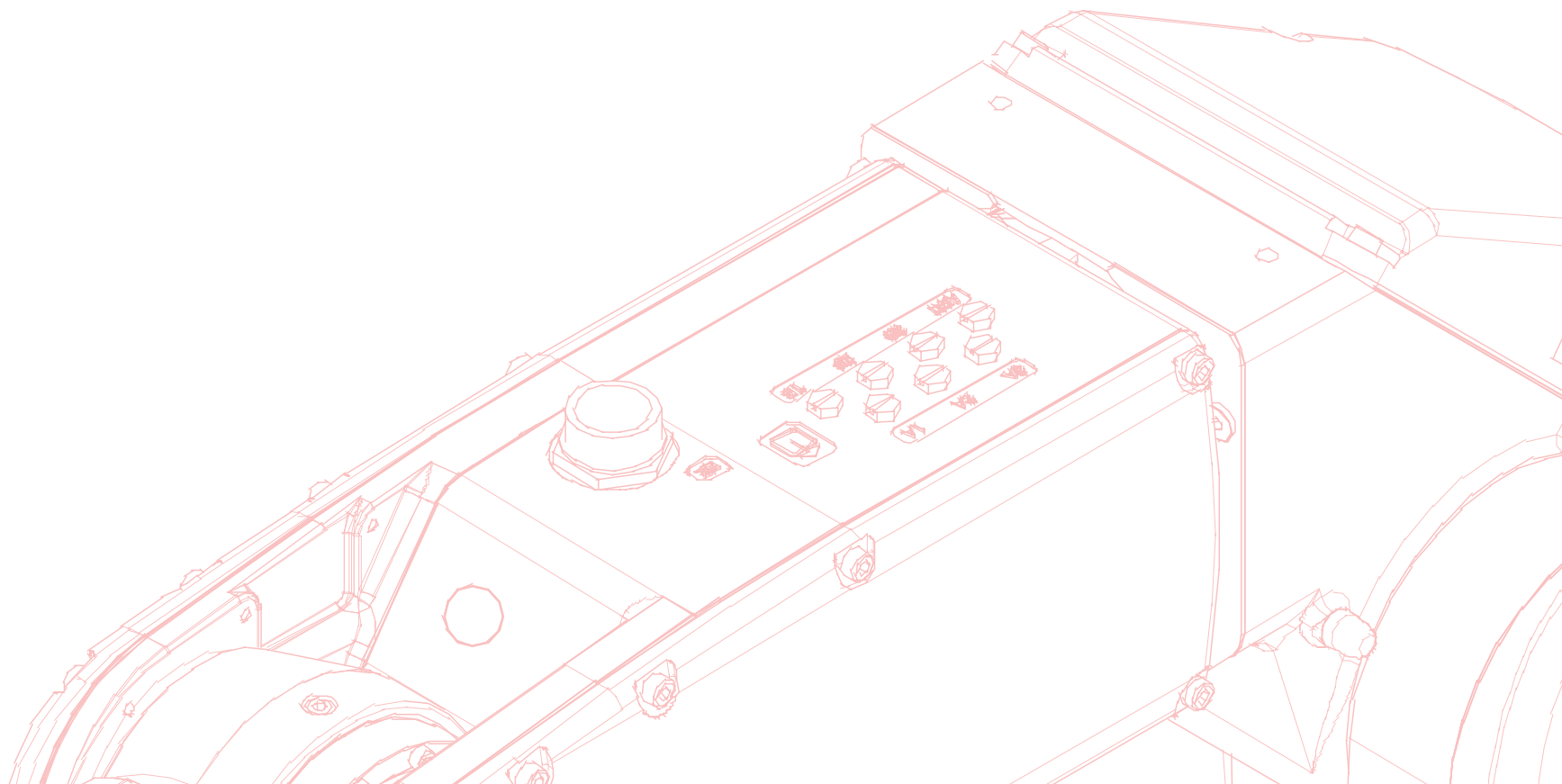


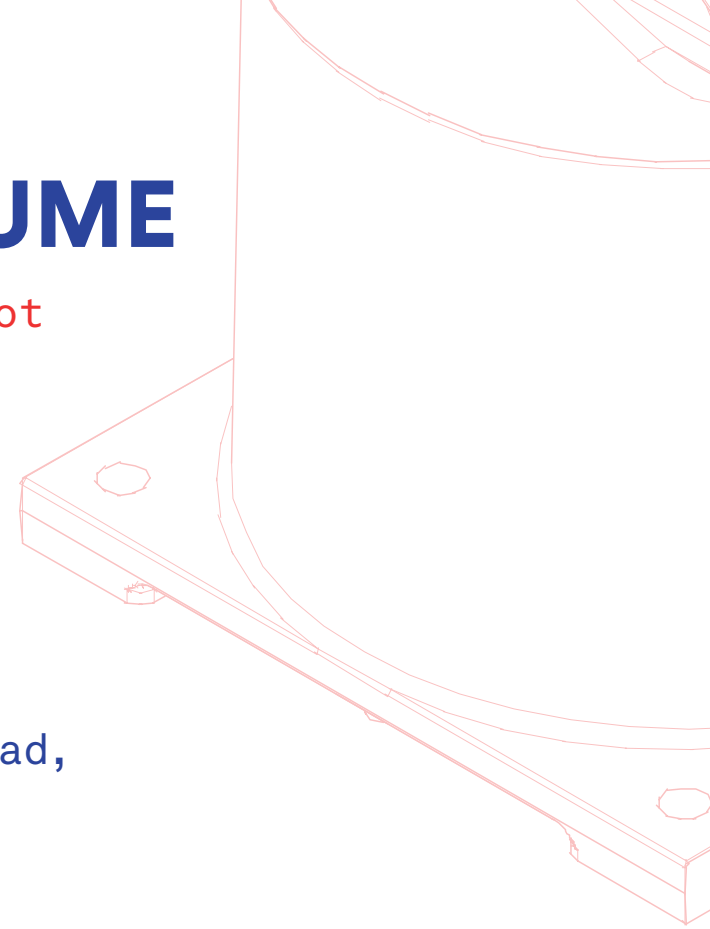
1 body
on fold

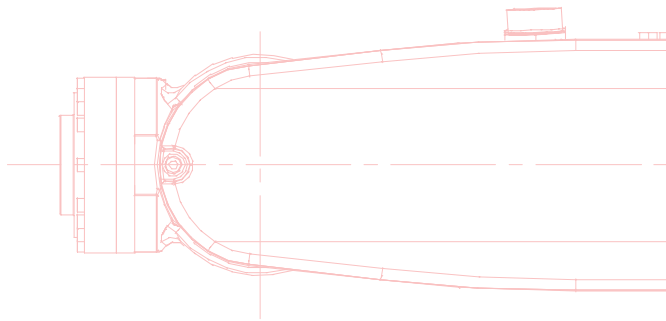
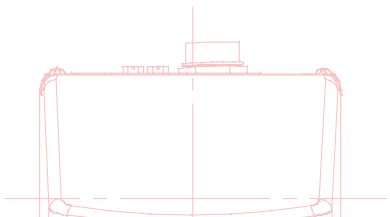


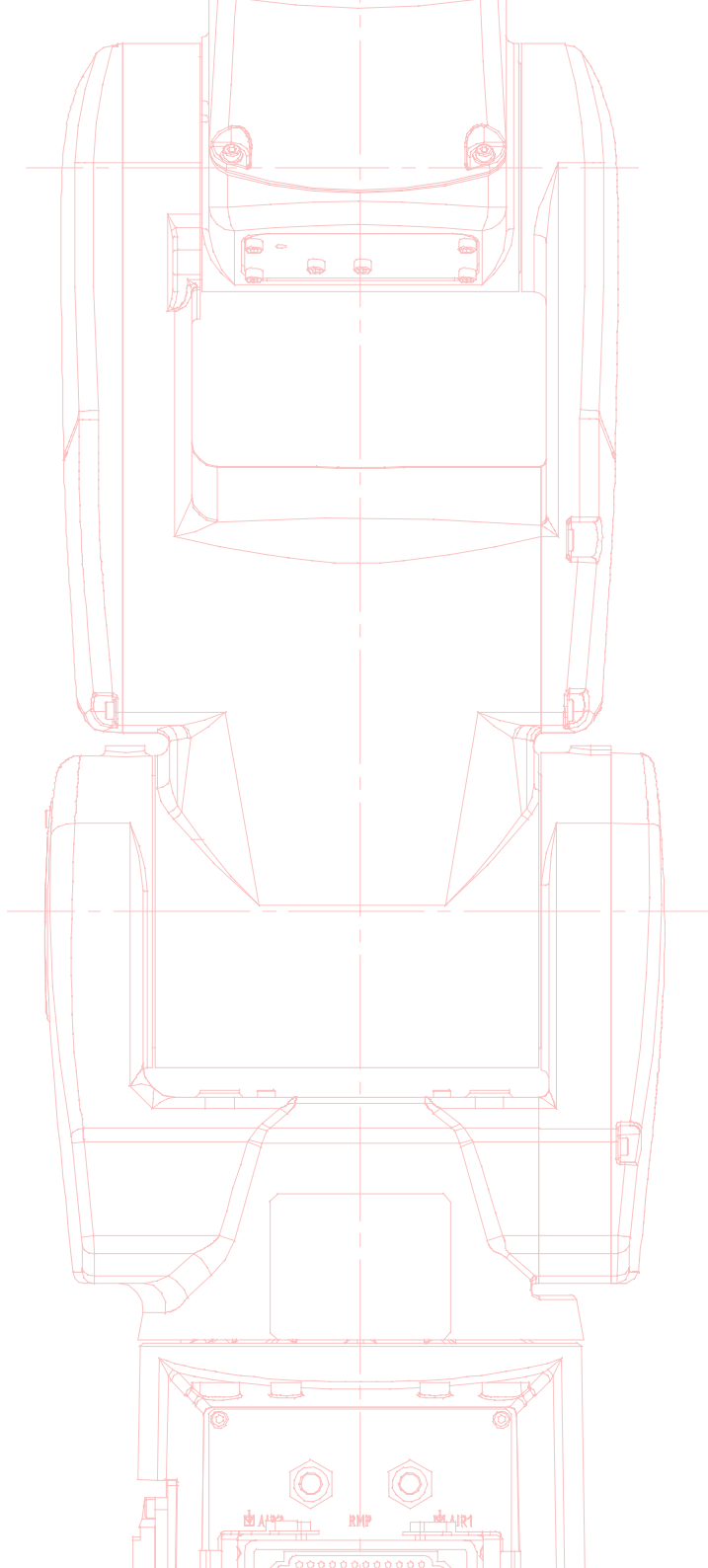
ROBOT DRAGON COSTUME

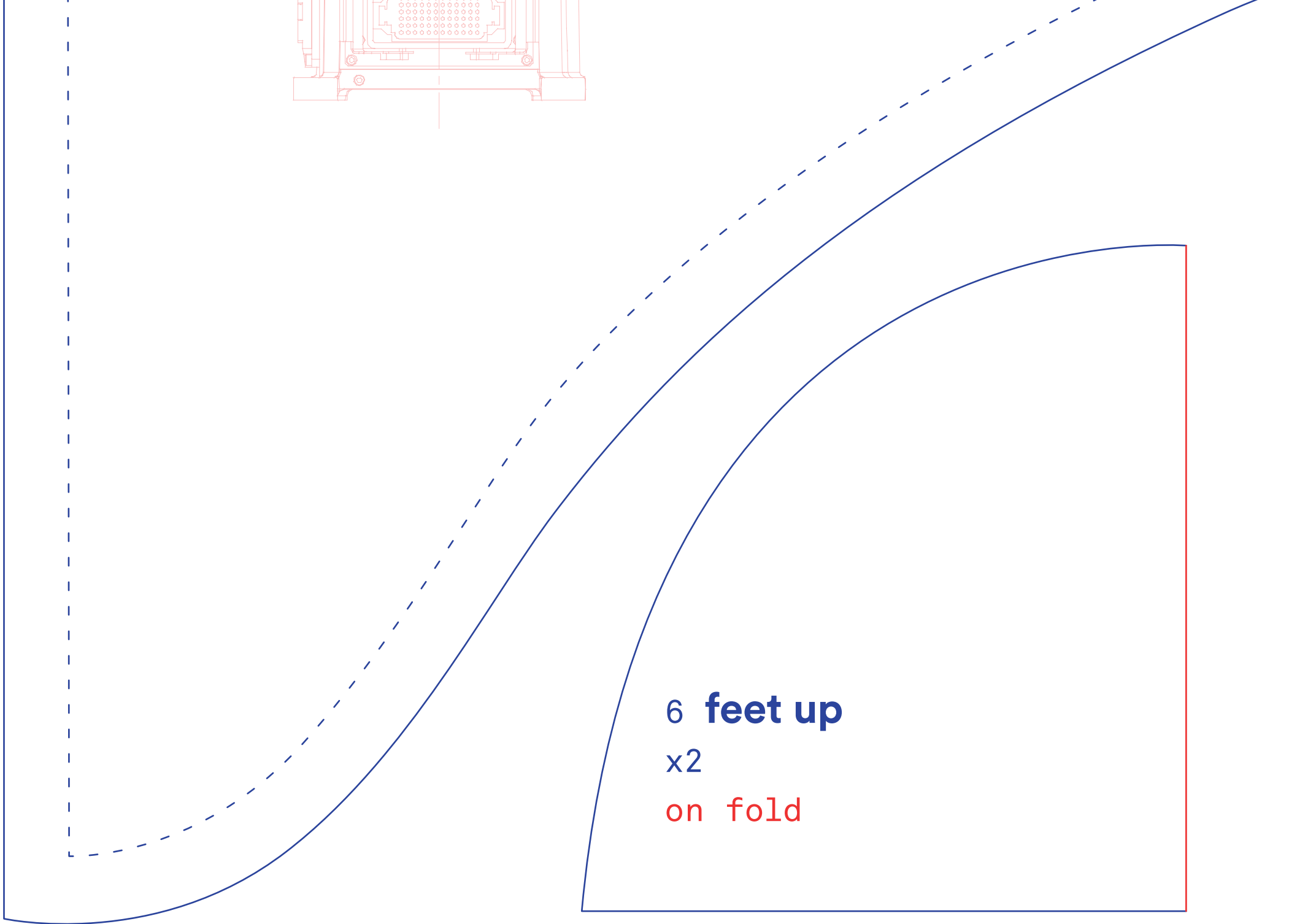
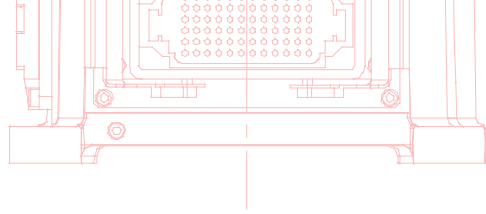
made for FANUC LRMATE200iC industrial robot

- length: - 1470mm: 7x DinA4
- width: - 1220mm: 2x DinA4 wide
- material:
- darker green cotton: body, head, arms, feet up + down, ears
 - lighter green cotton: belly
 - white cotton: toes, fingers
 - red felt: dragon spikes, ears inside
 - paper: 14x DinA4
 - colored thread for each cotton









6 feet up
x2
on fold

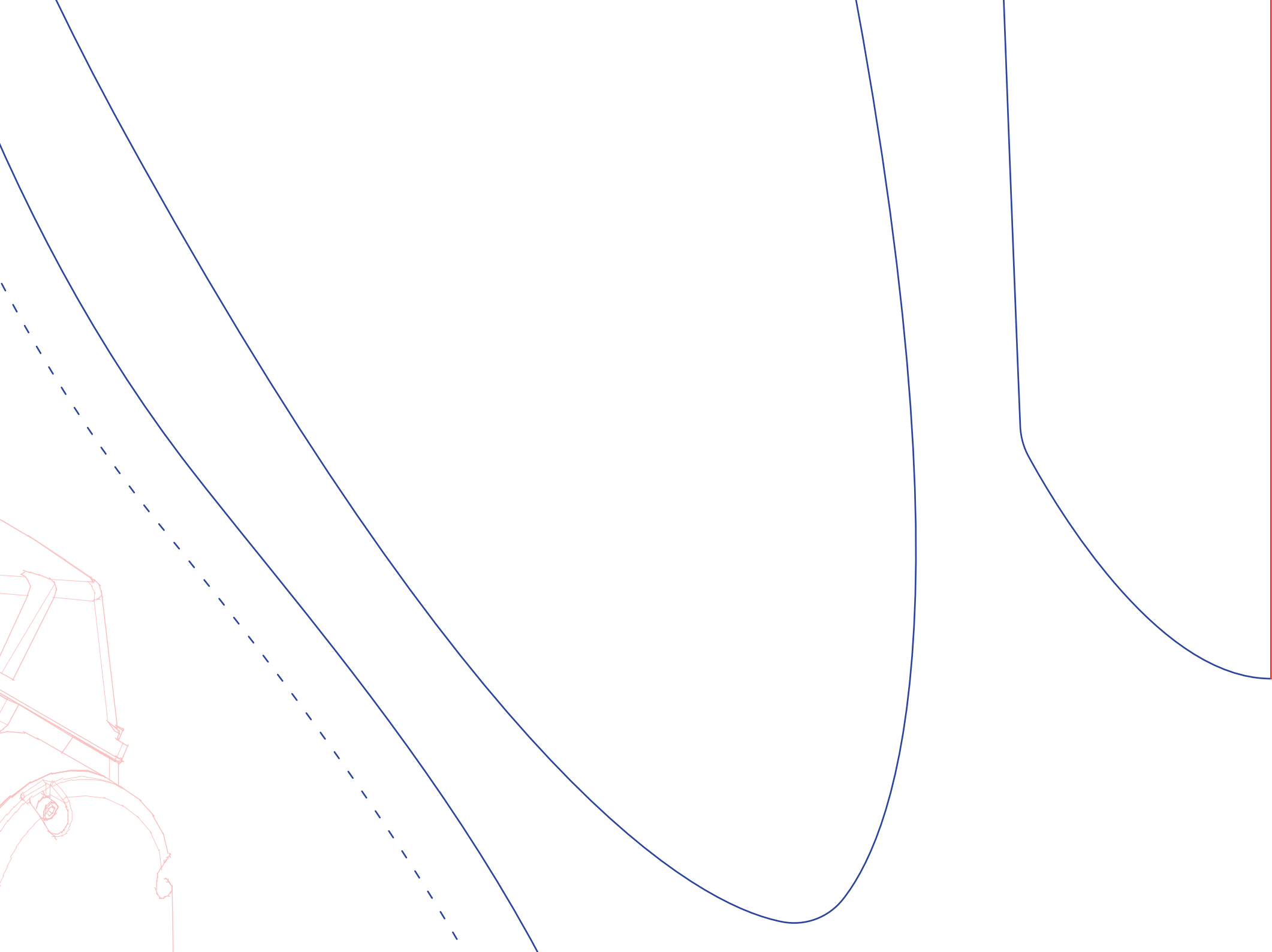


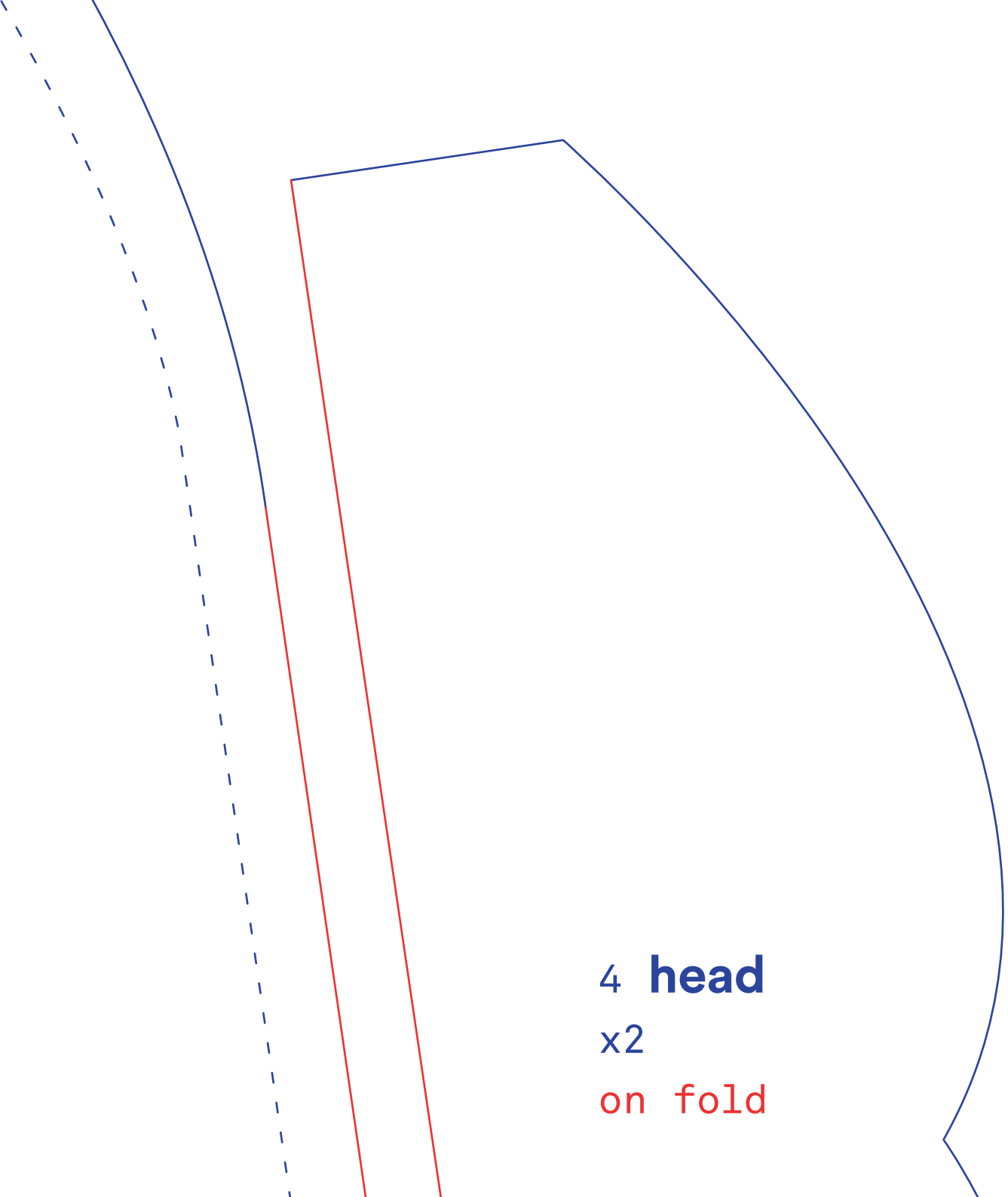
3 belly

9 arms

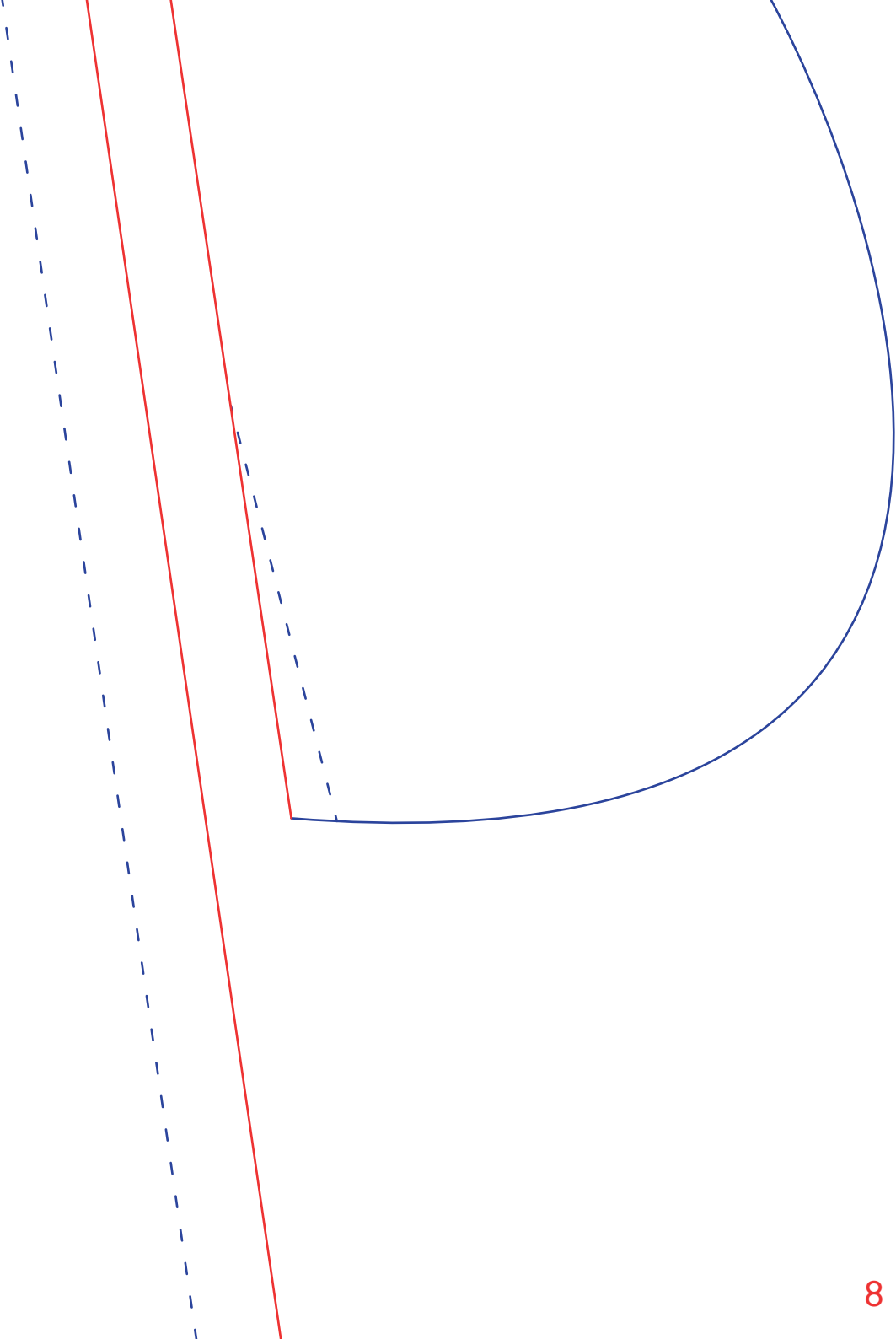
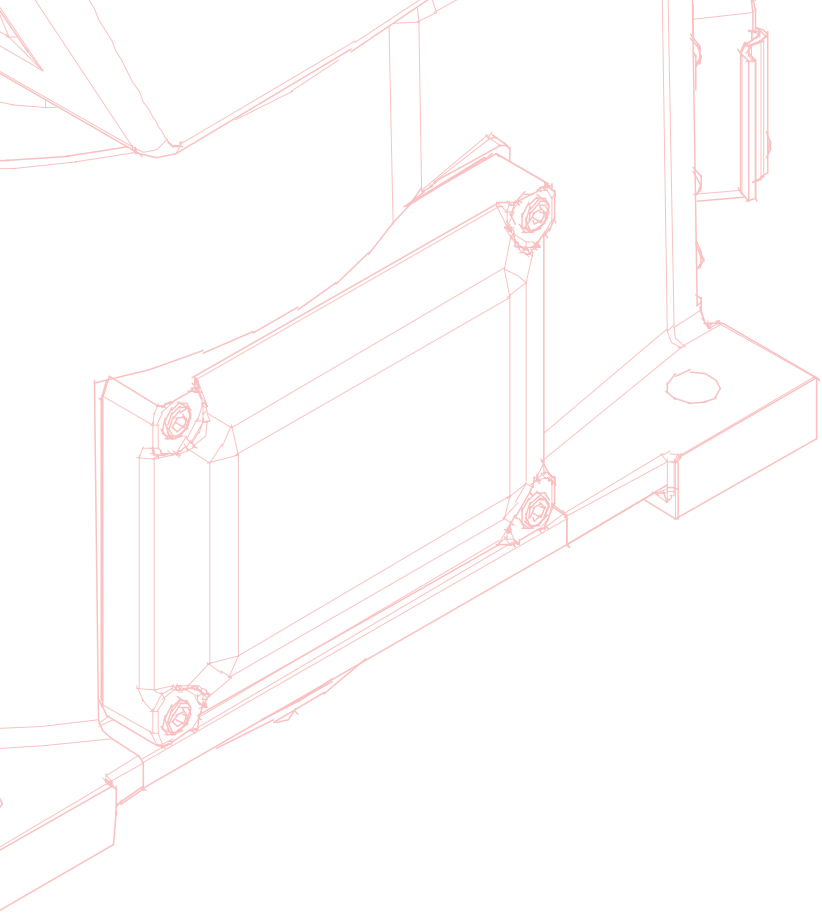
x2

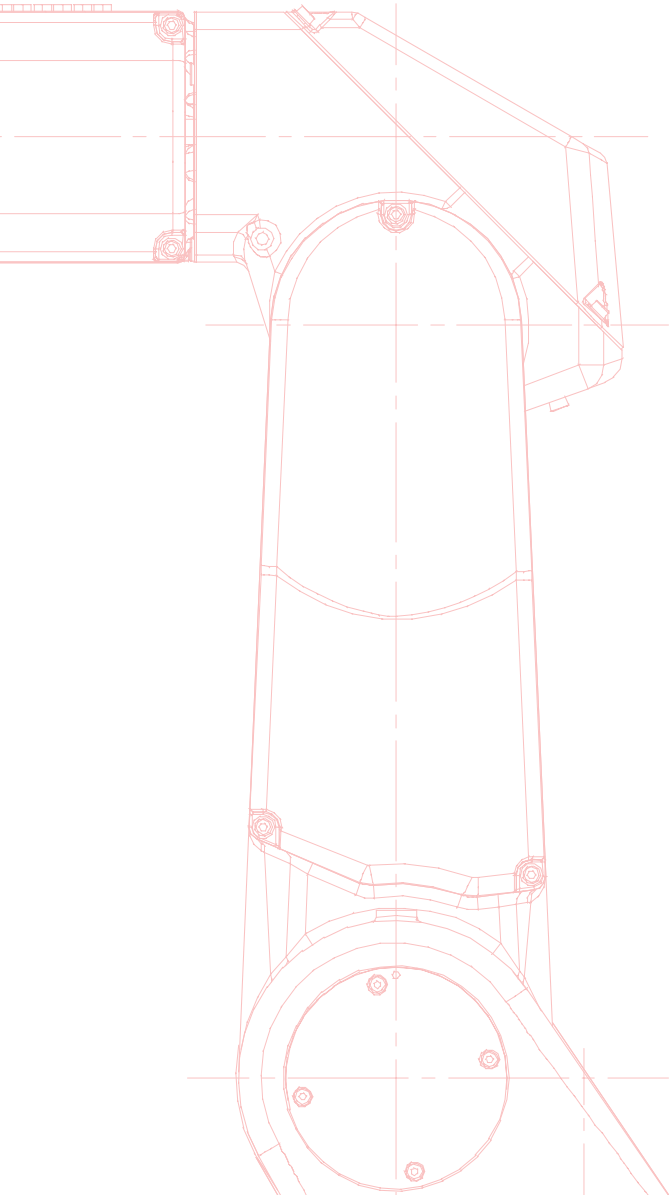
on fold



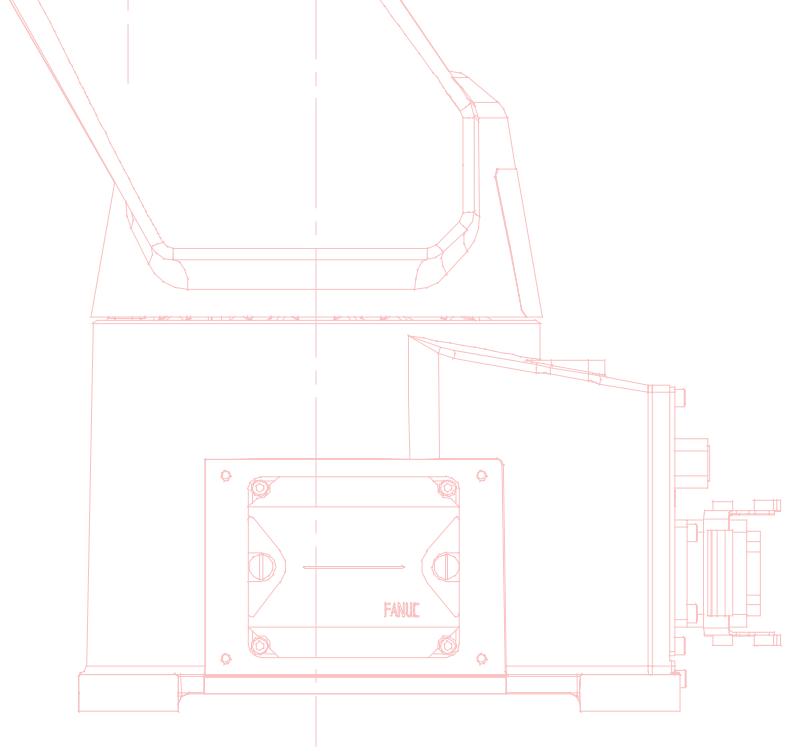


4 **head**
x2
on fold



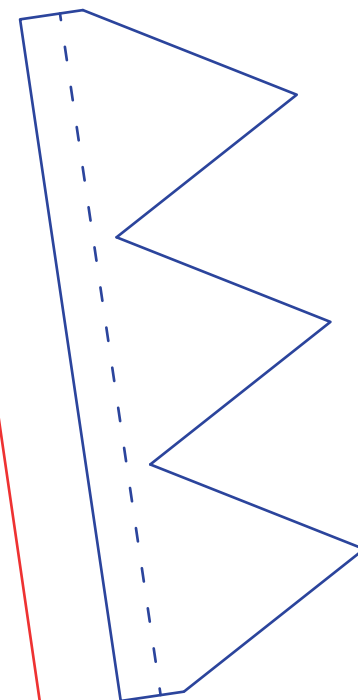


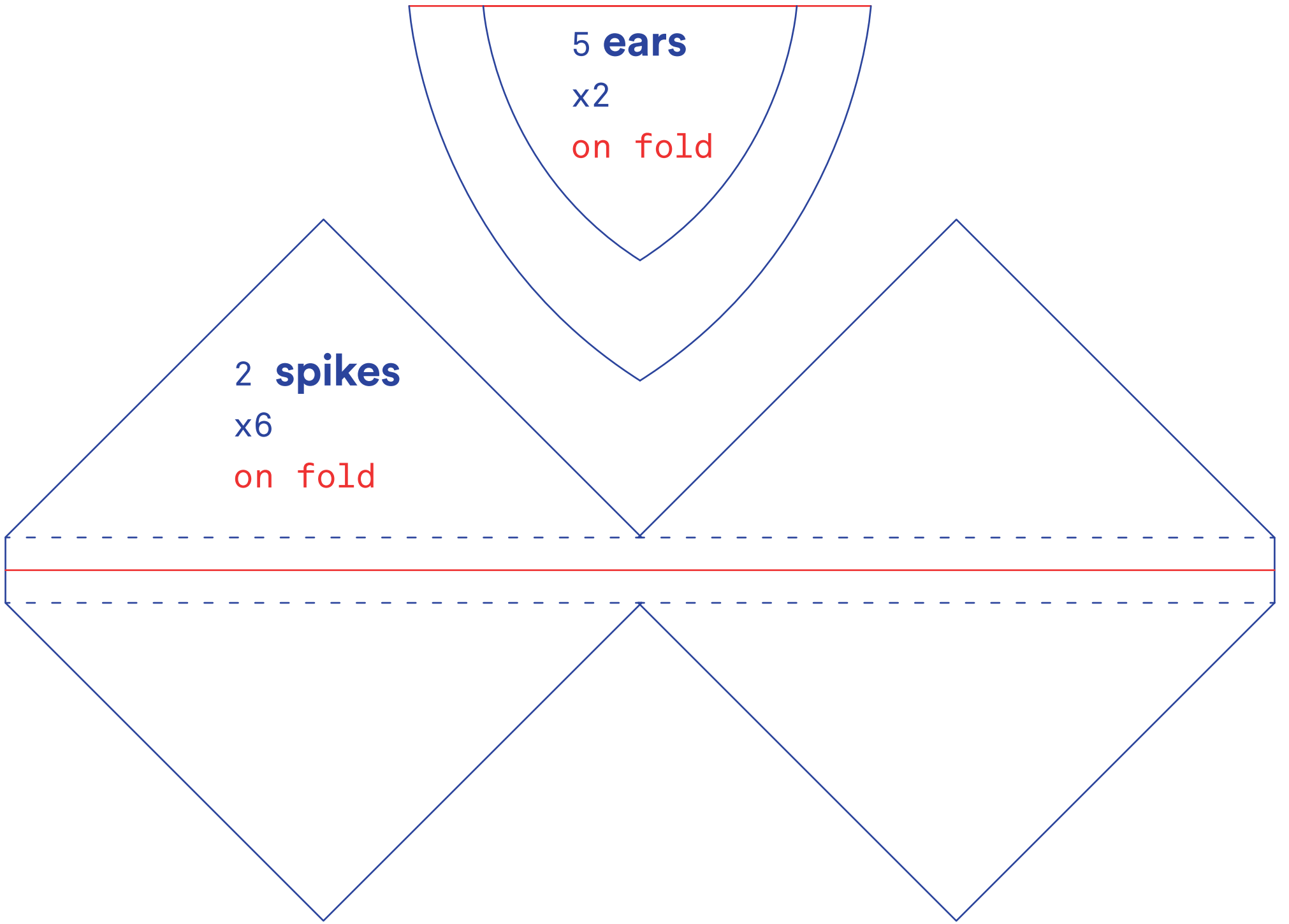
7 feet down
x2
on fold



**8 toes +
fingers**

x4





2 spikes
x6
on fold

5 ears
x2
on fold