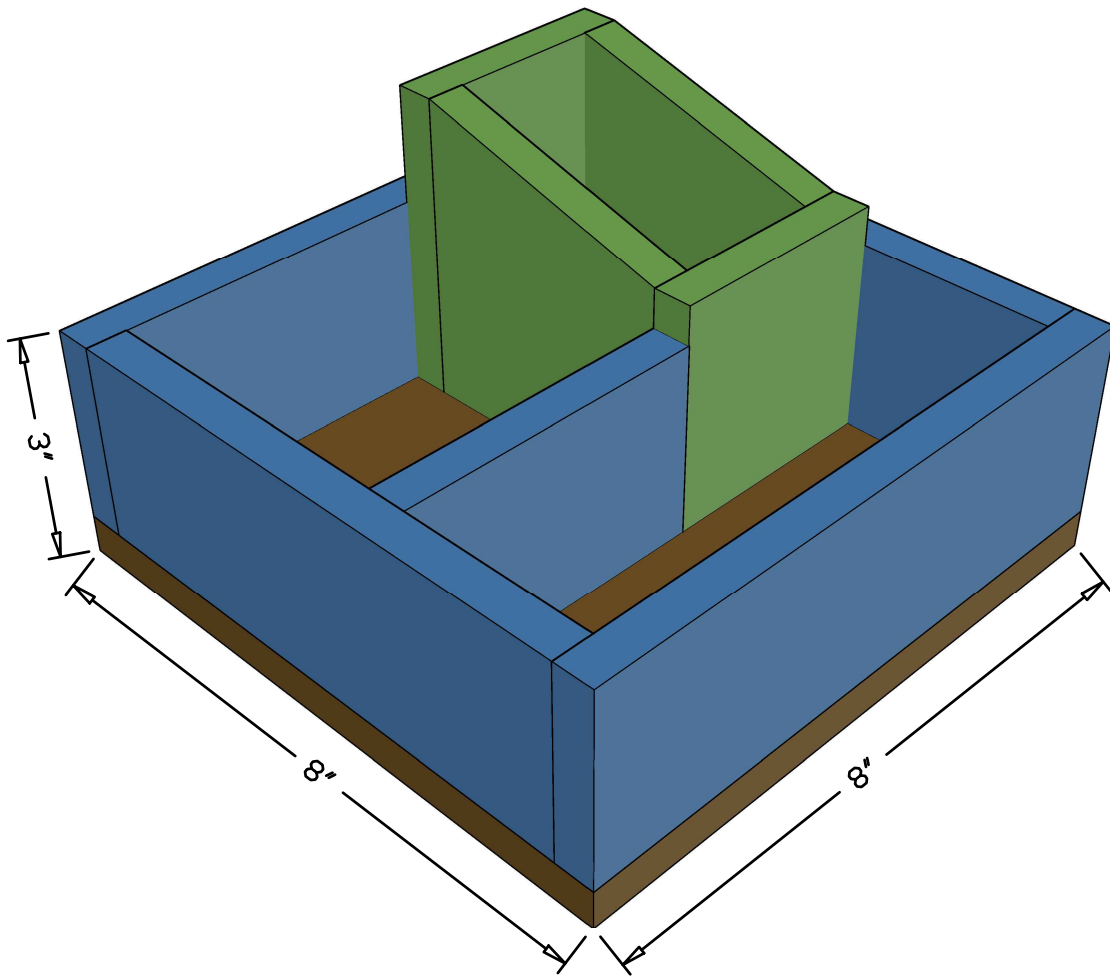


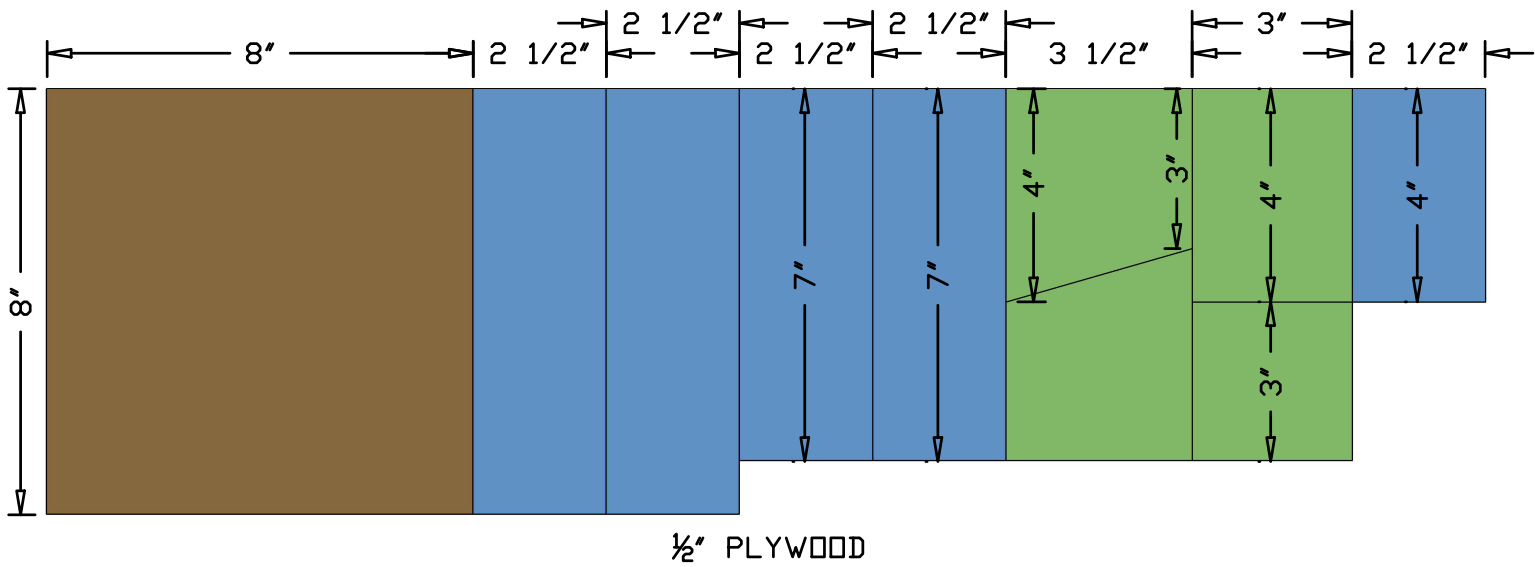


PENCIL BOX

| Supplies | | |
|-----------------------|----------|--------------|
| Item | Quantity | Description |
| 30"x8" - 1/2" Plywood | 1 | 1/2" Plywood |
| Nails | | |

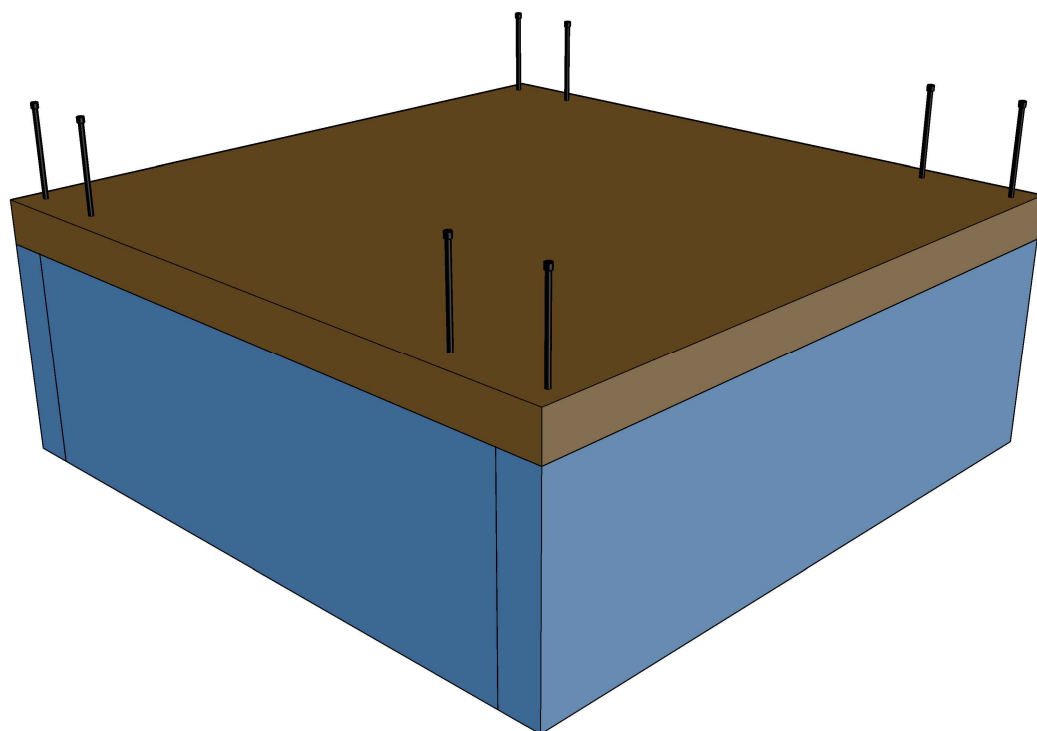
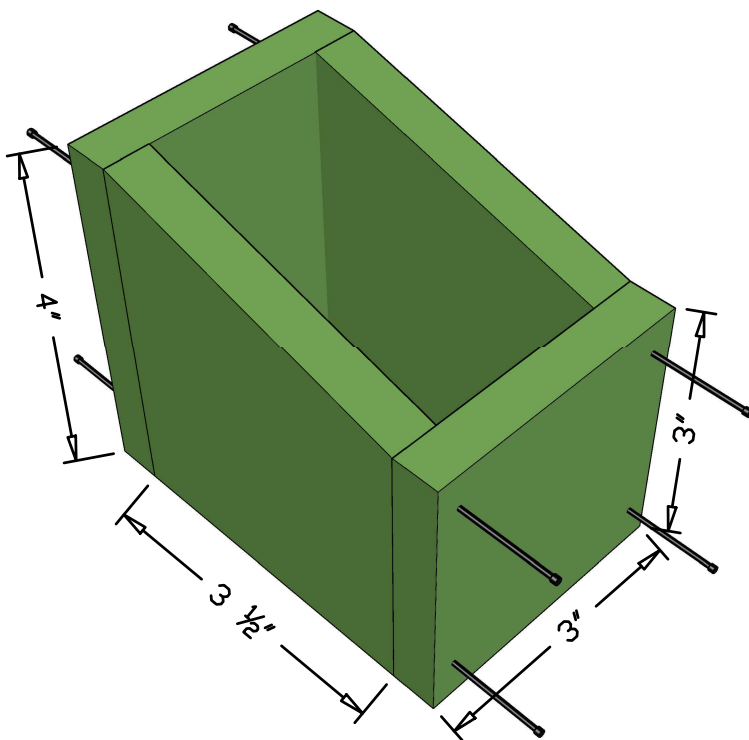


Cut List



Step 1

Cut all pieces to dimensions provided in the cut list using skill saw and/or table saw. Take the pieces for the small box and attach in together using 1" finish nails

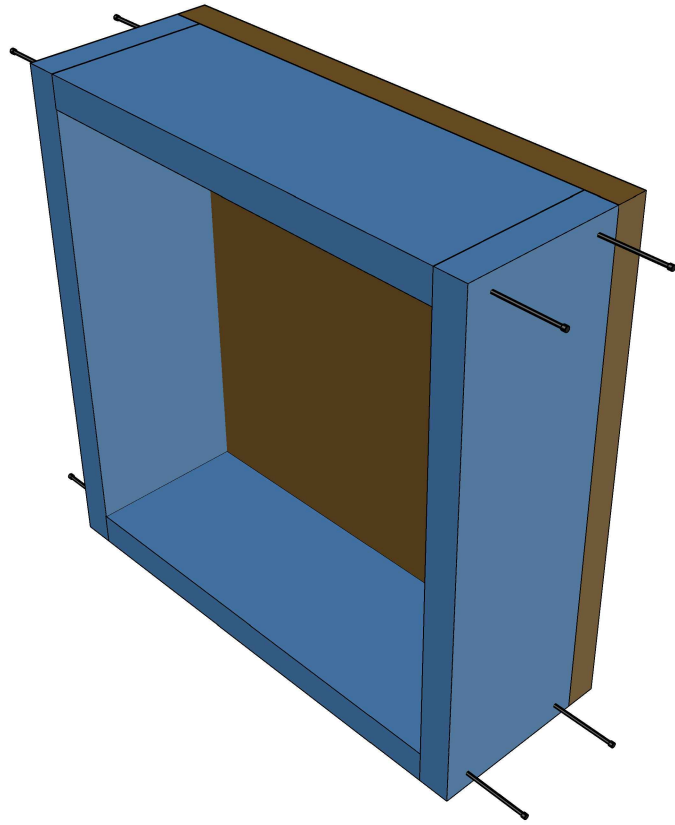


Step 2

Take the side boards and arrange them in a box. Place the top board over the side boards and nail it with finish nails.

Step 3

Now nail the sides together



Step 4

Place the small box in one corner. Slide the last piece in and nail it from the side and bottom. You're done.

