

Area 51 Alarm clock Picture & Photo Index

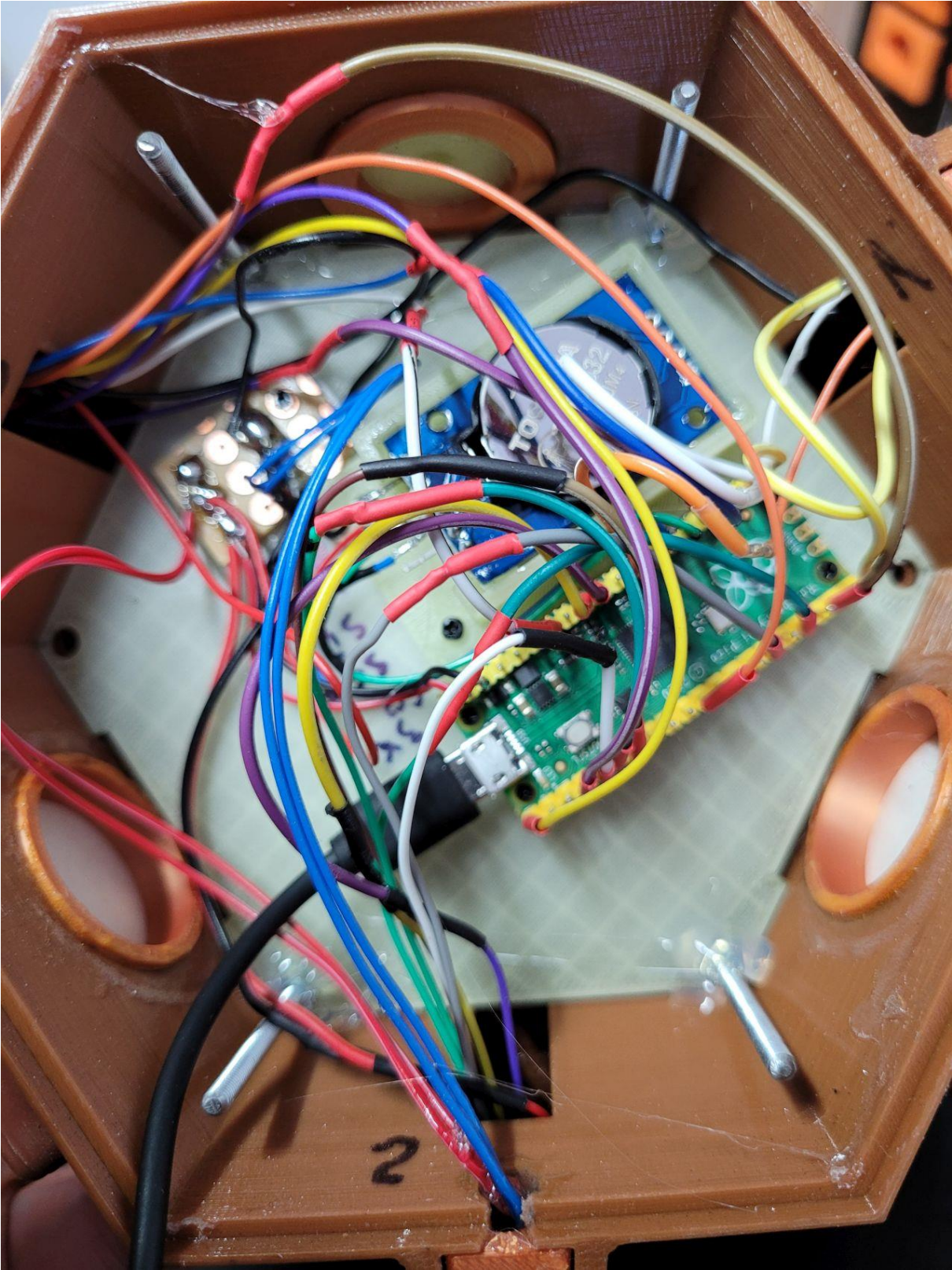


Photo 01

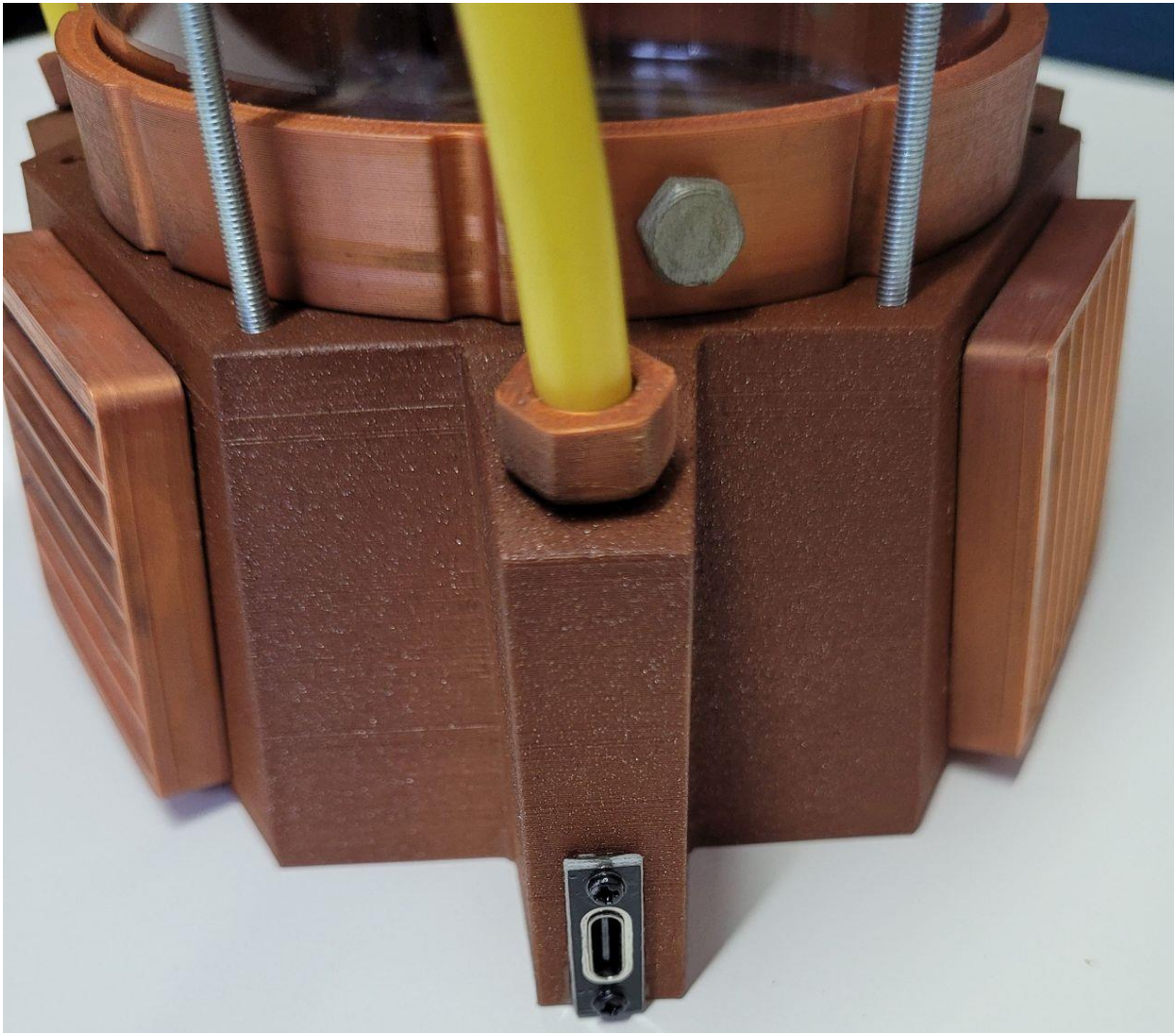


Photo 02



Photo 03



Photo 04

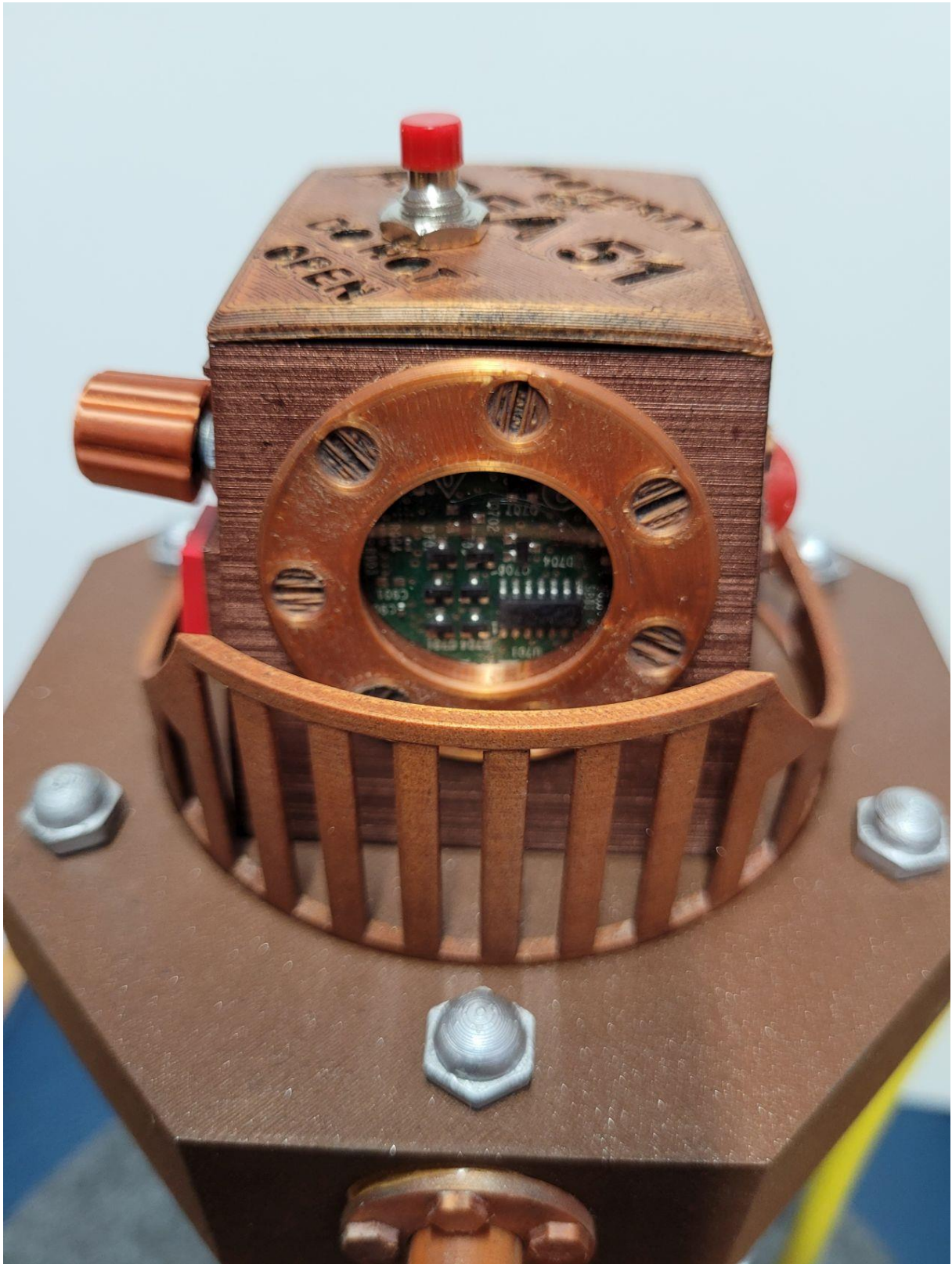


Photo 05

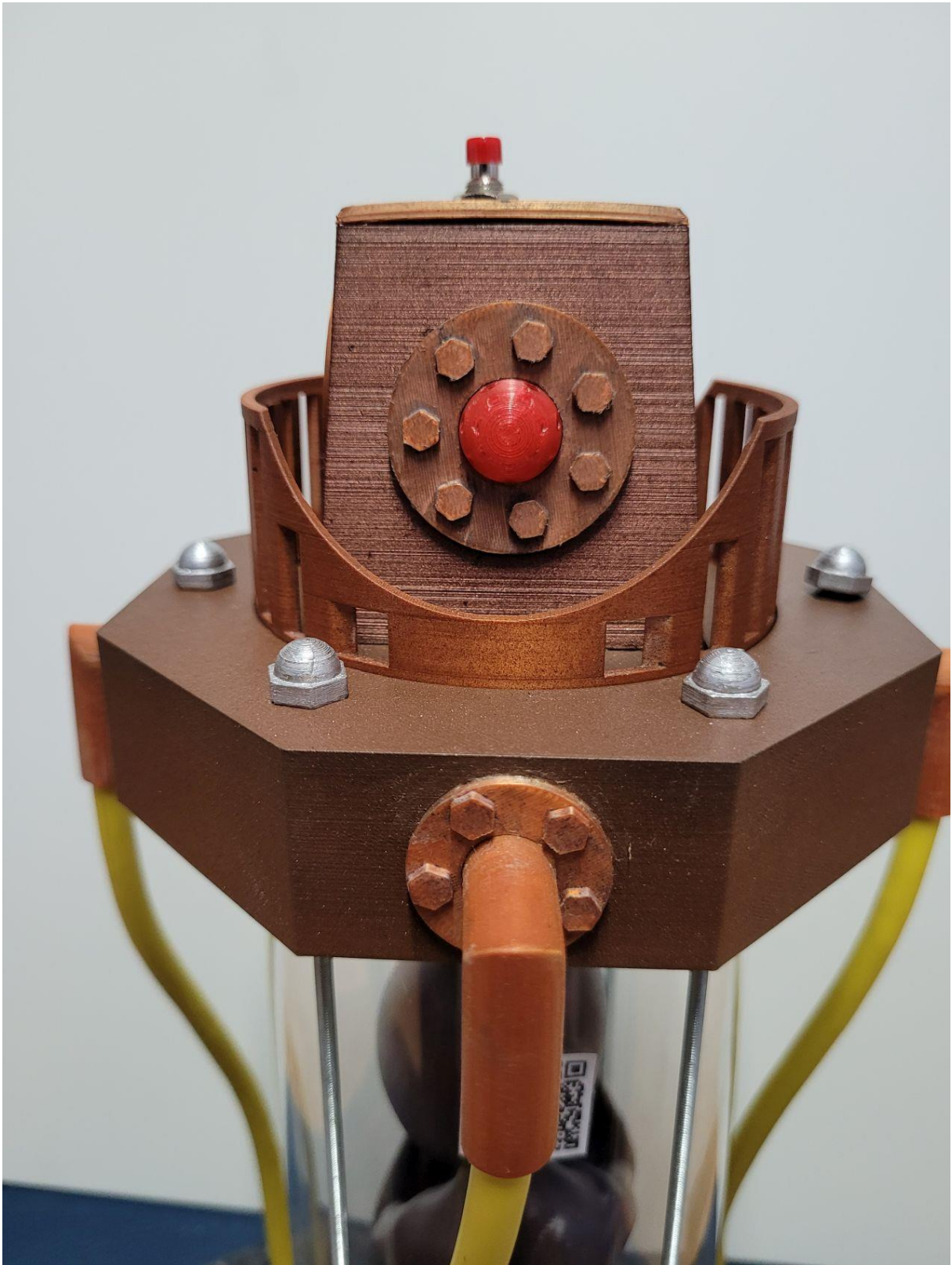


Photo 06



Photo 07



Photo 08



Photo 09

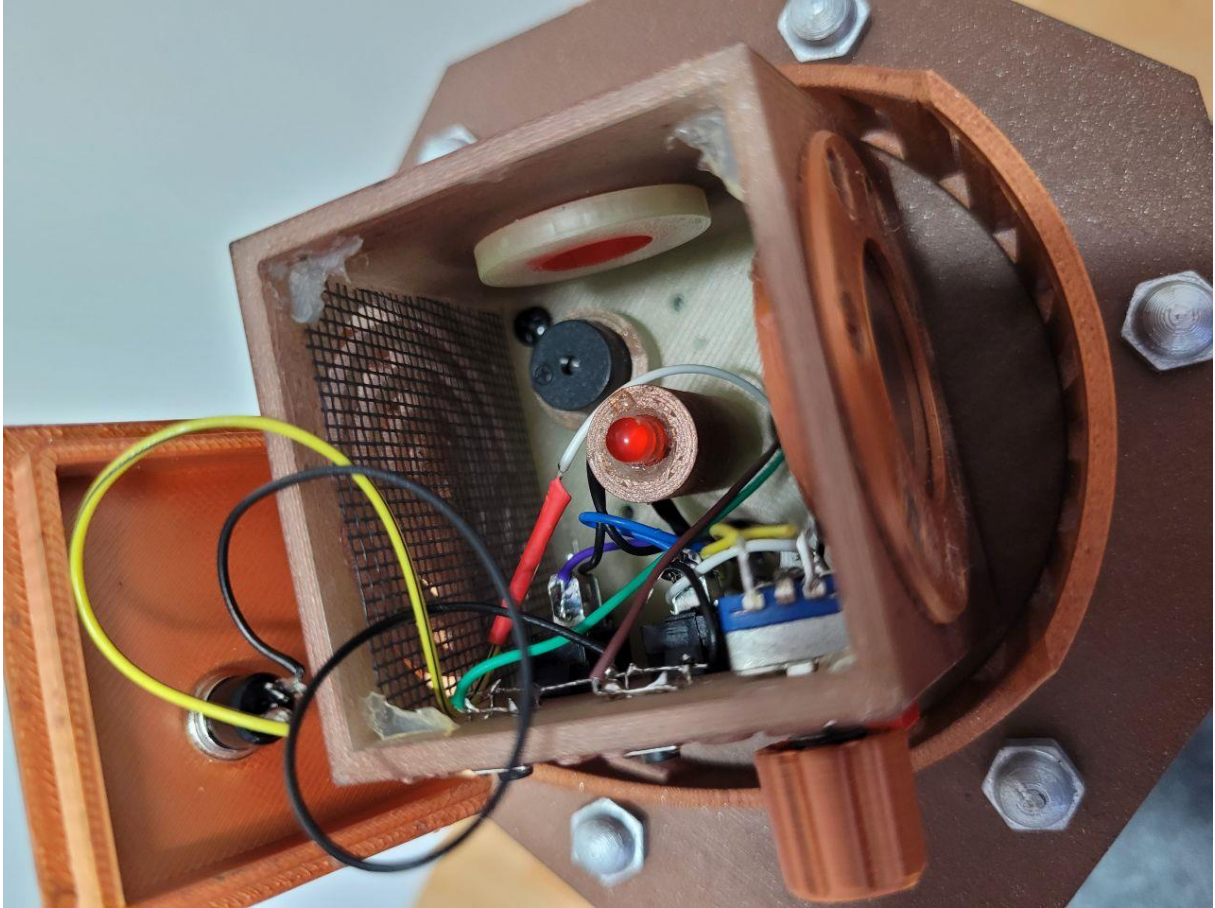


Photo 10

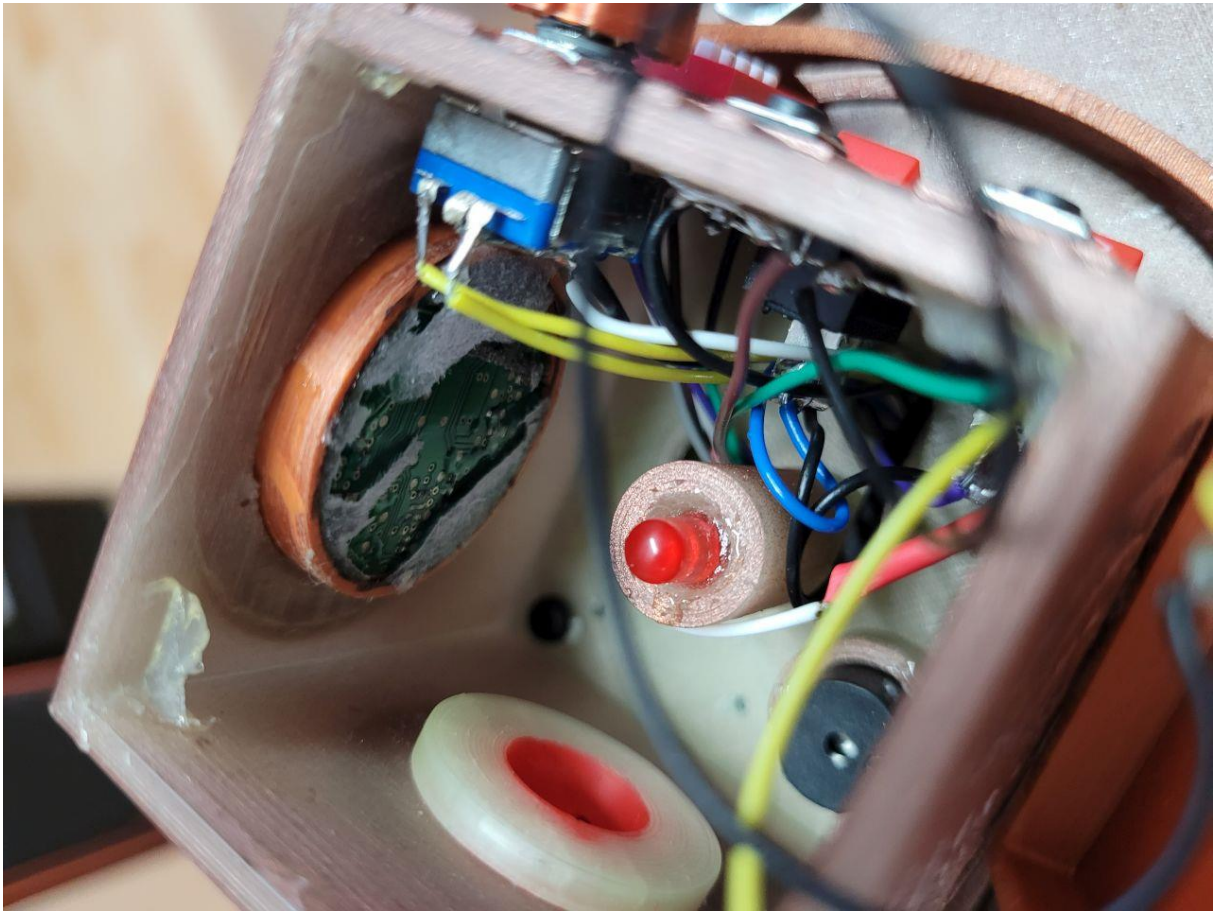


Photo 11

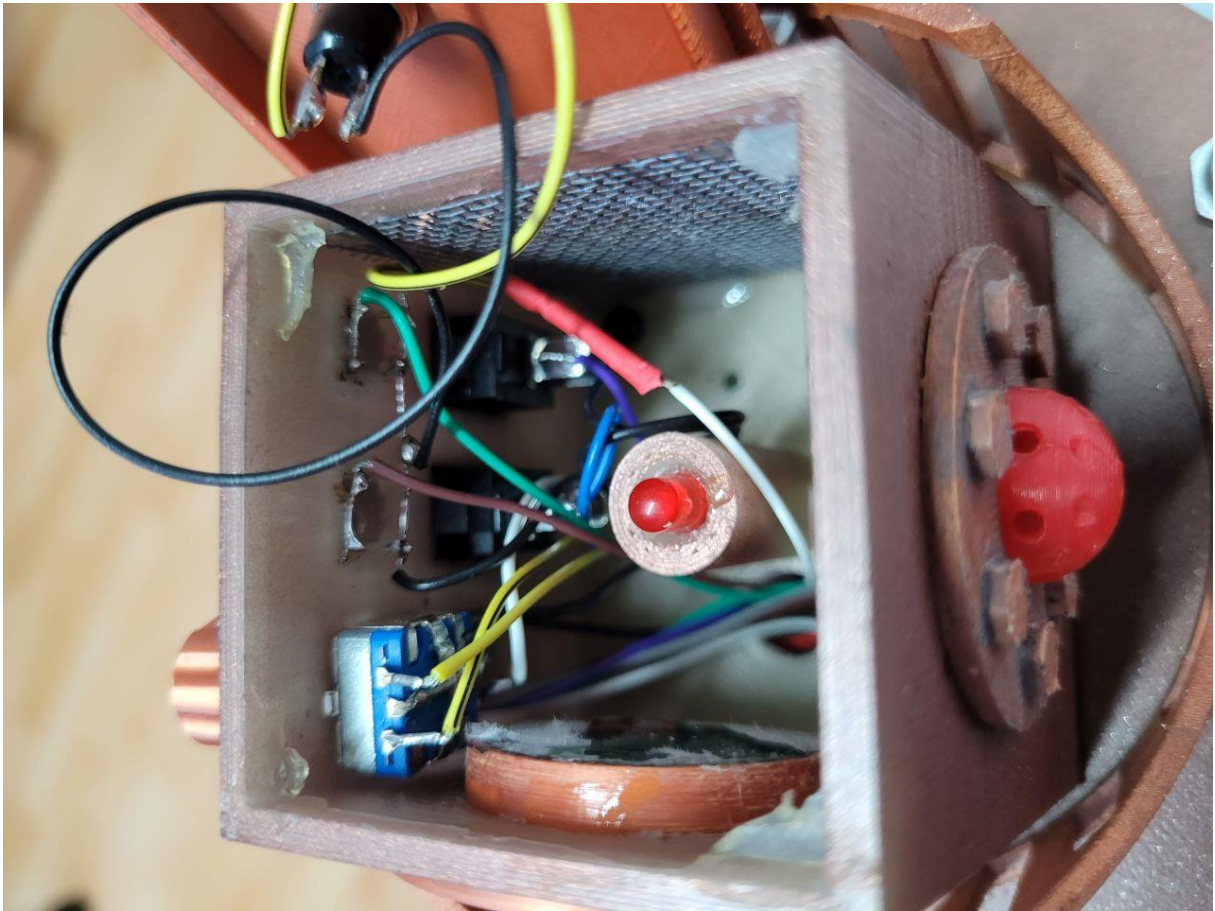


Photo 12

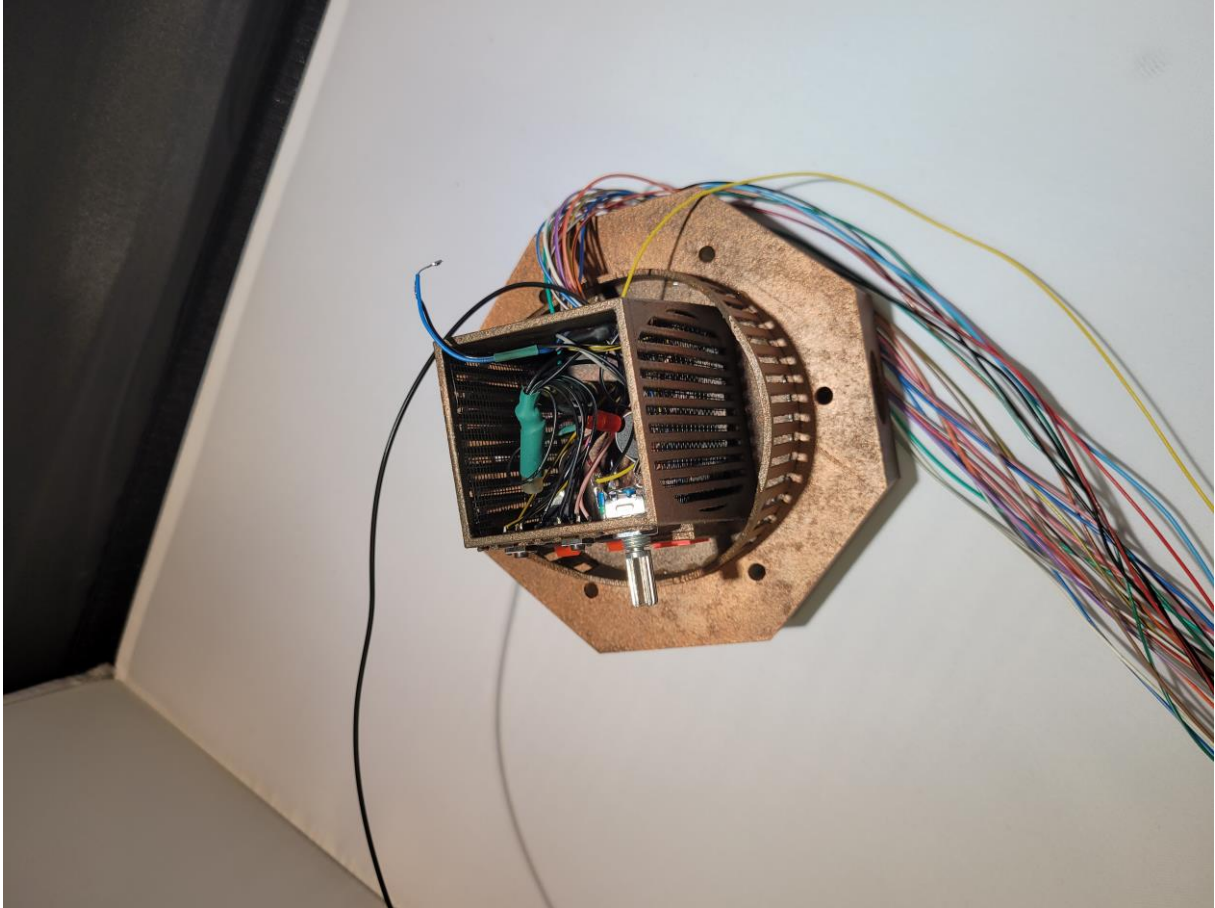


Photo 13

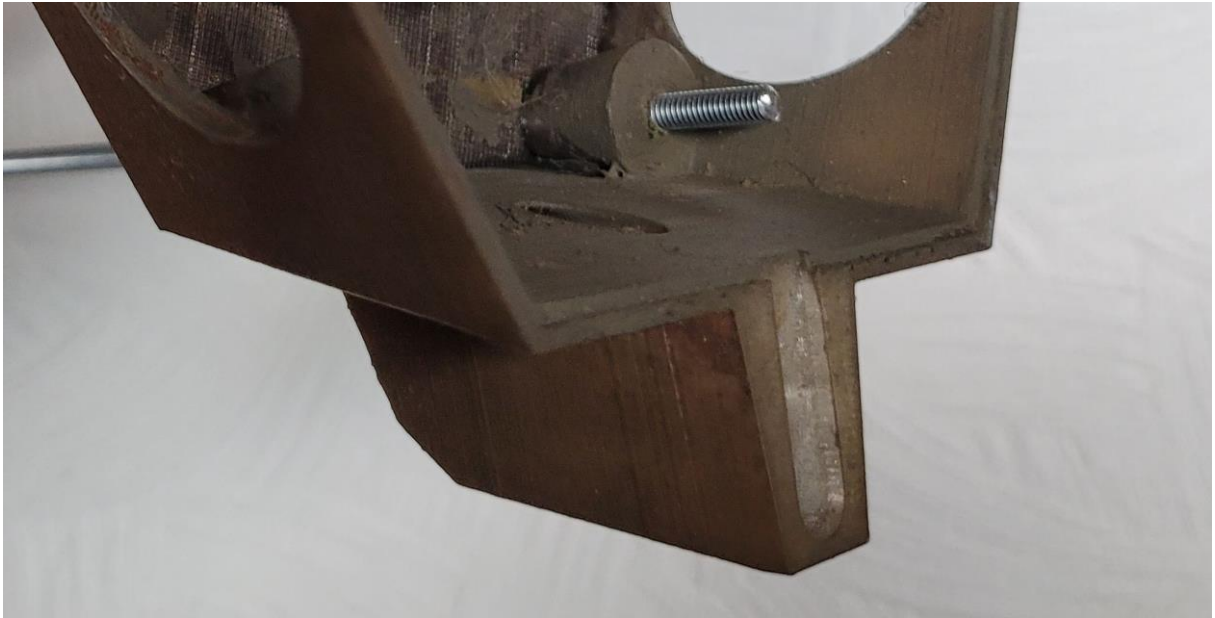
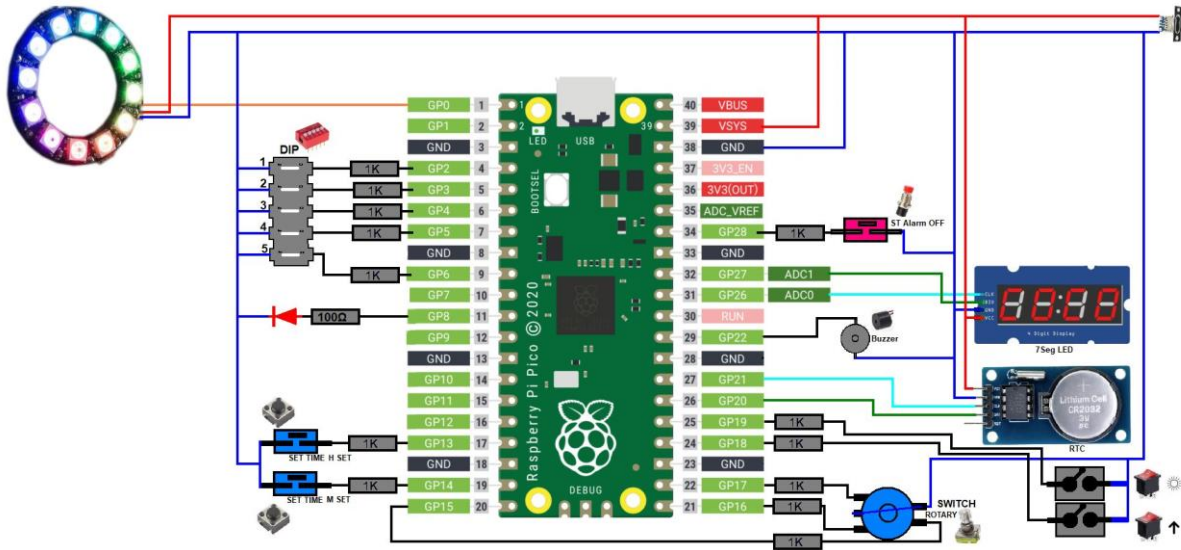


Photo 14

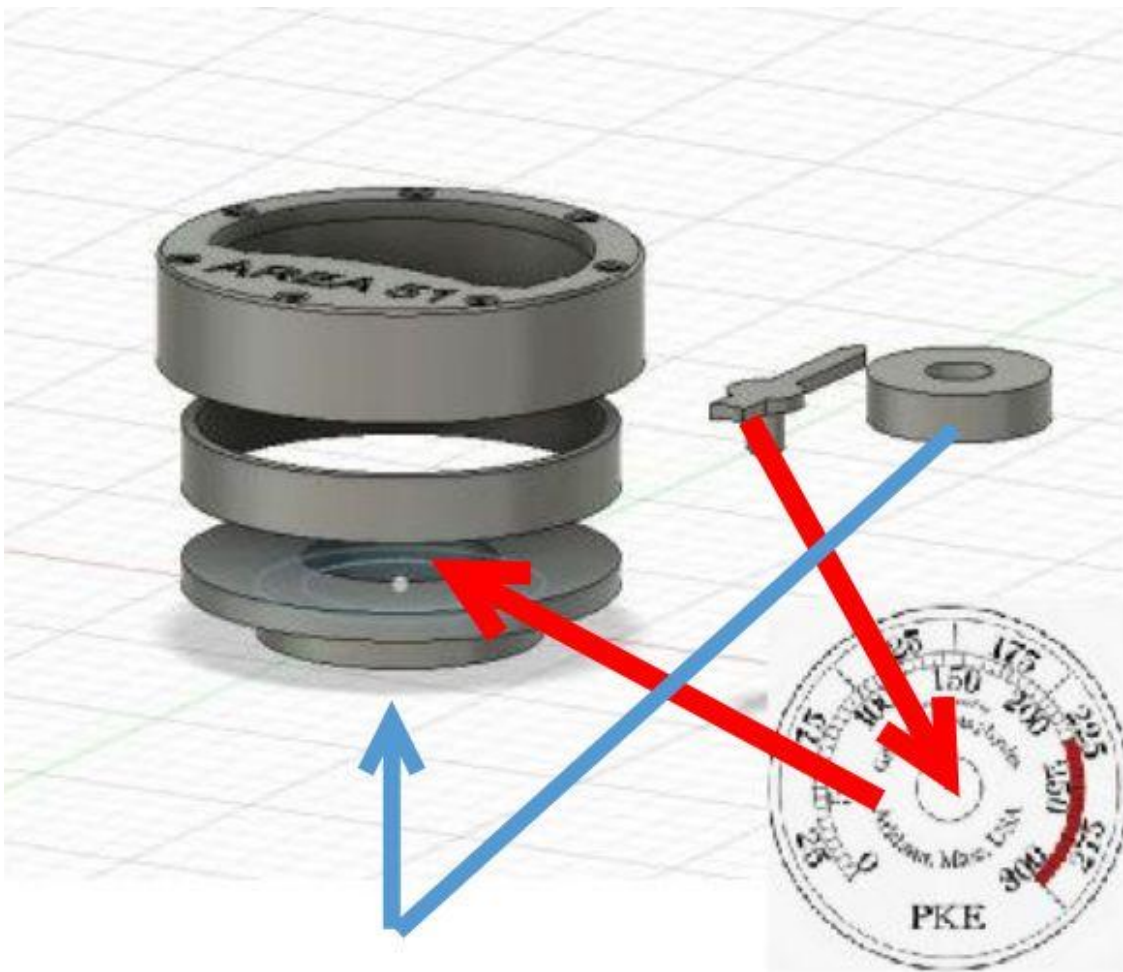


Photo 15

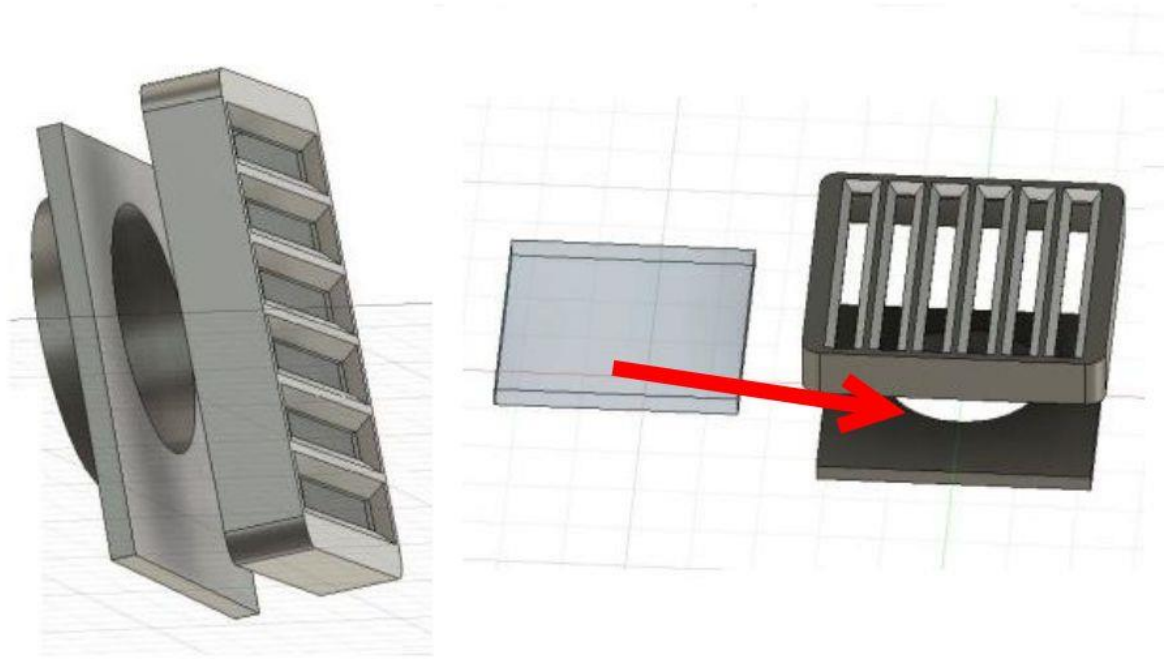
ALIEN ALARM CLOCK



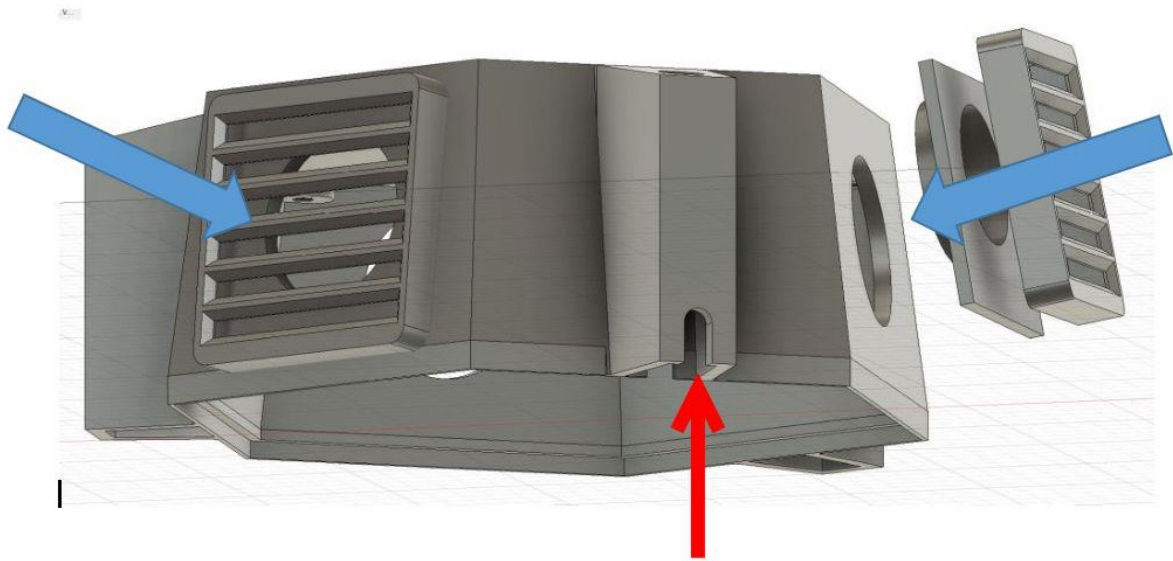
Picture 0



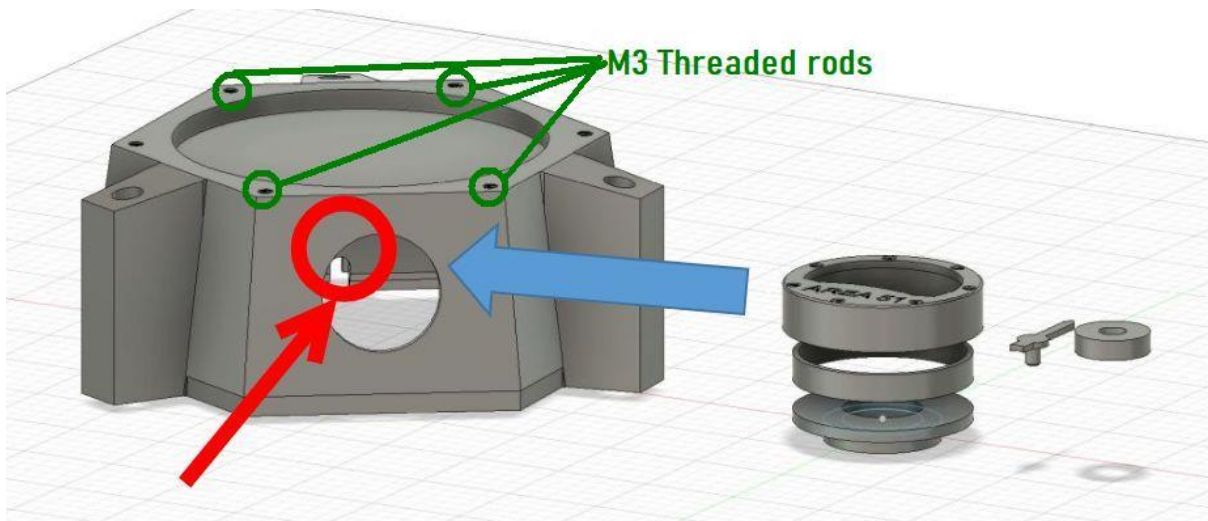
Picture 1



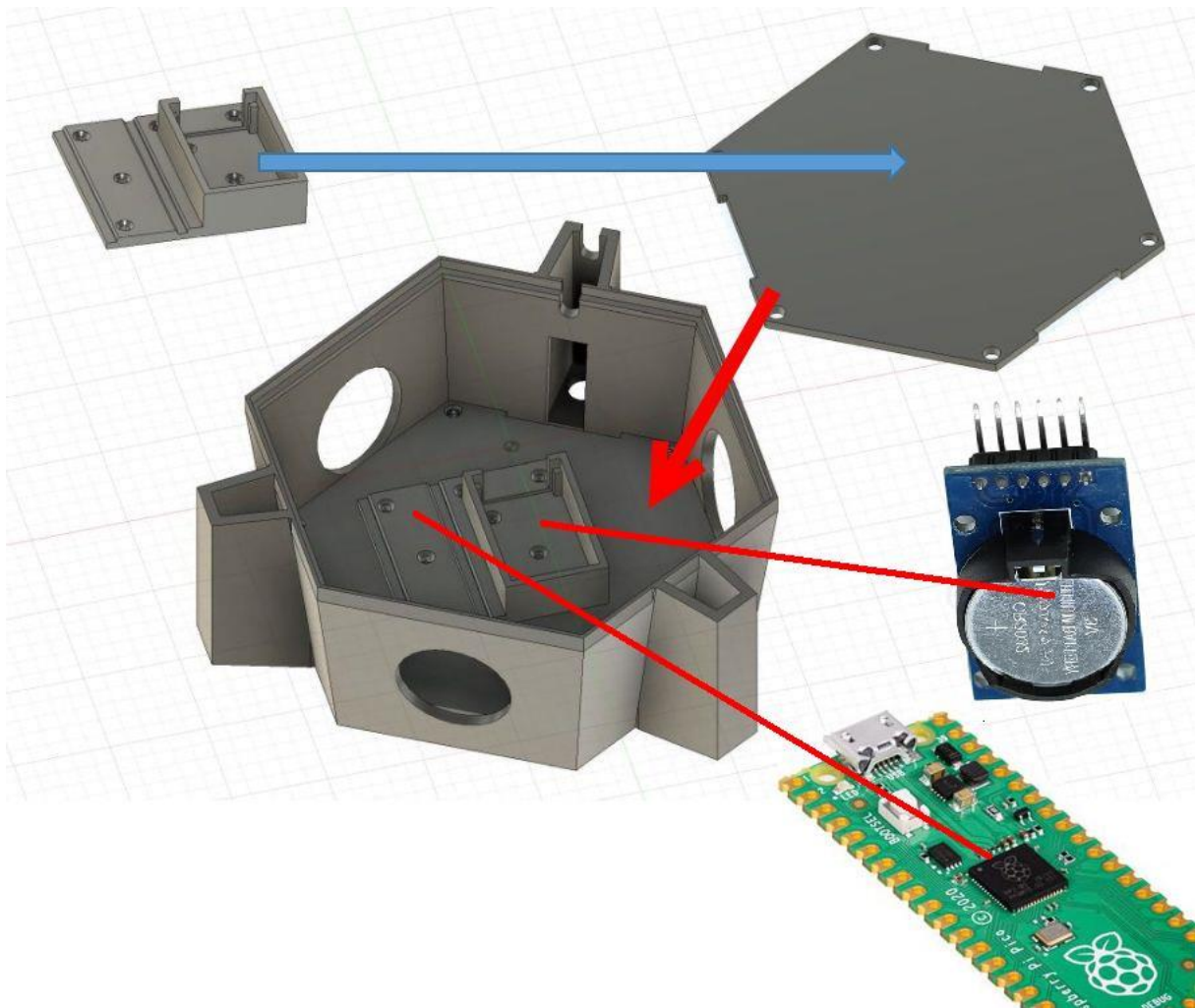
Picture 2



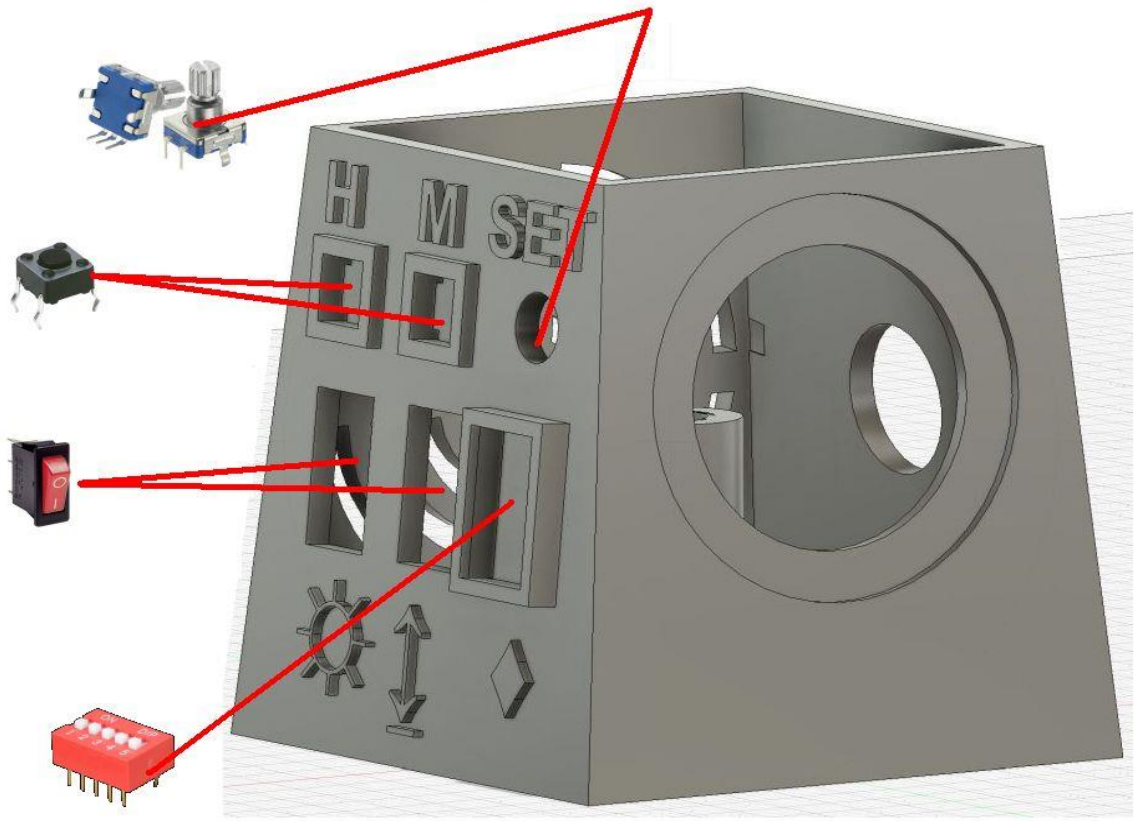
Picture 3



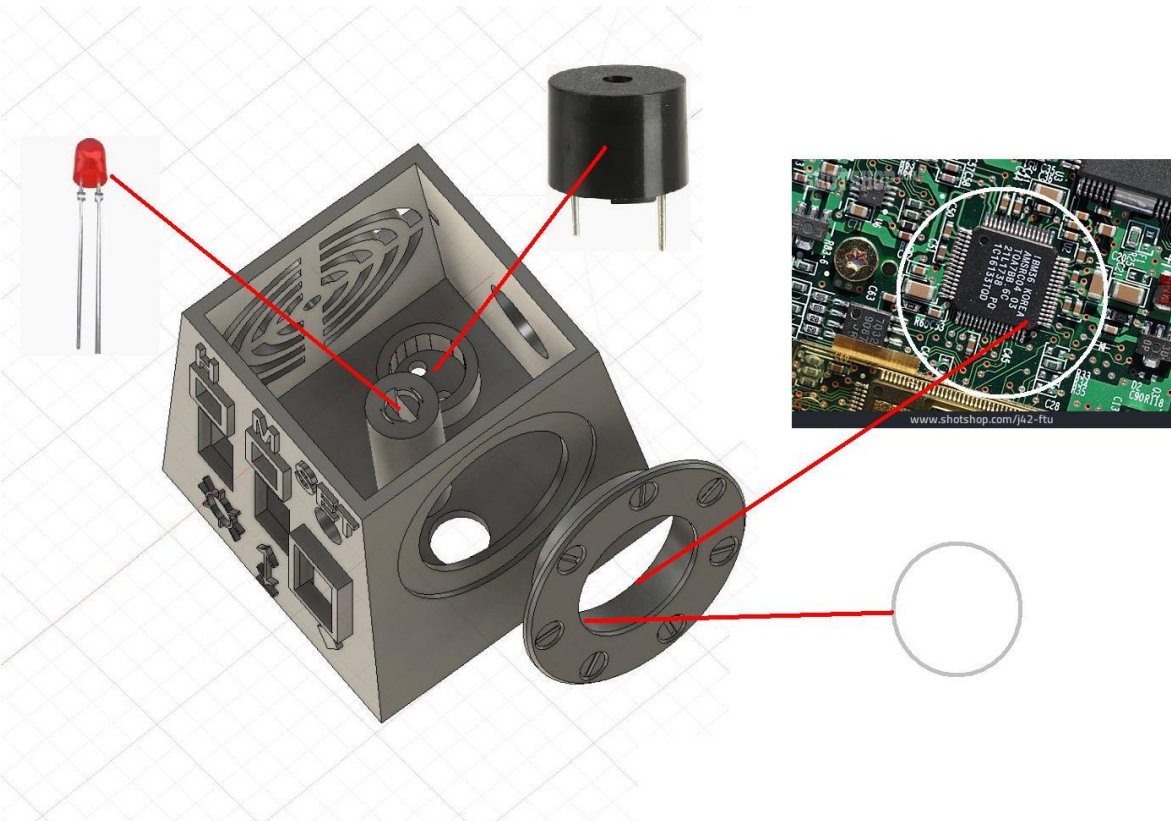
Picture 4



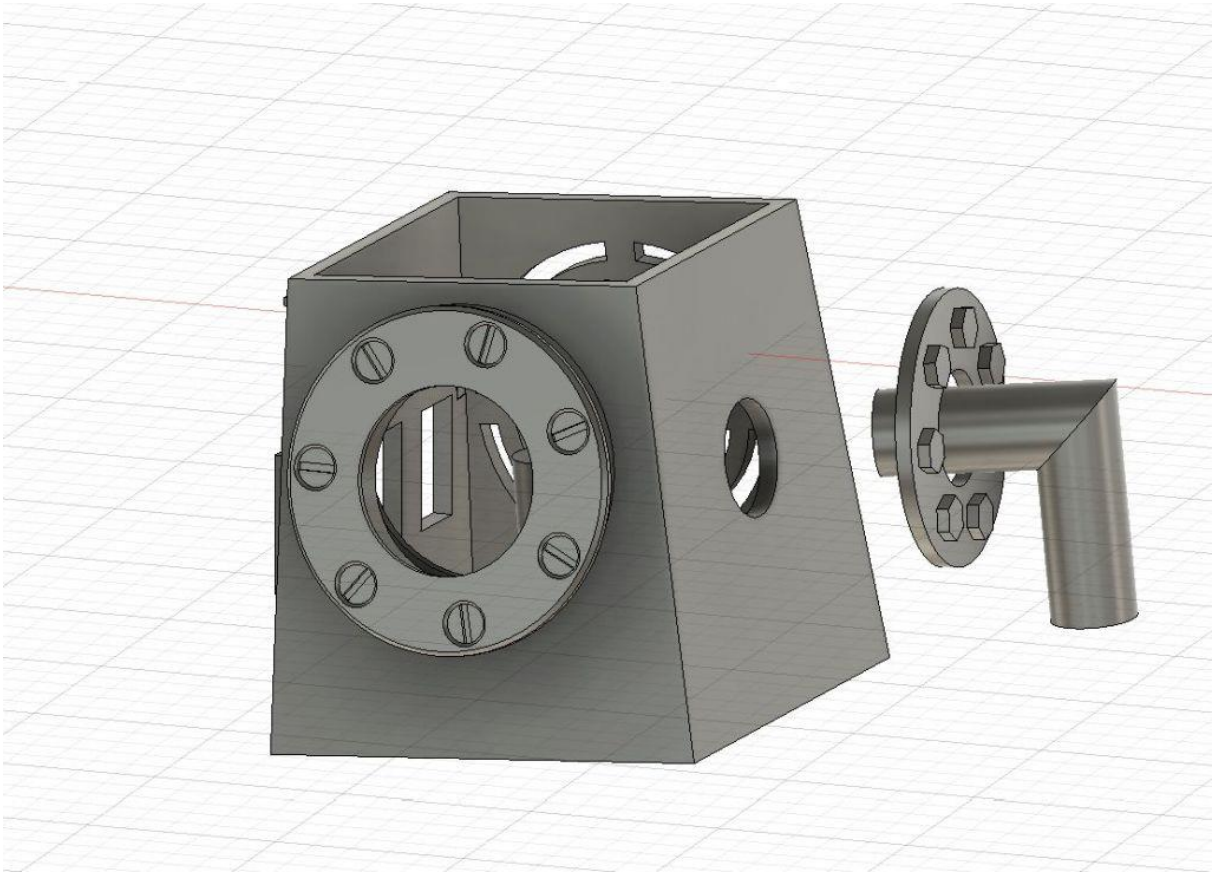
Picture 5



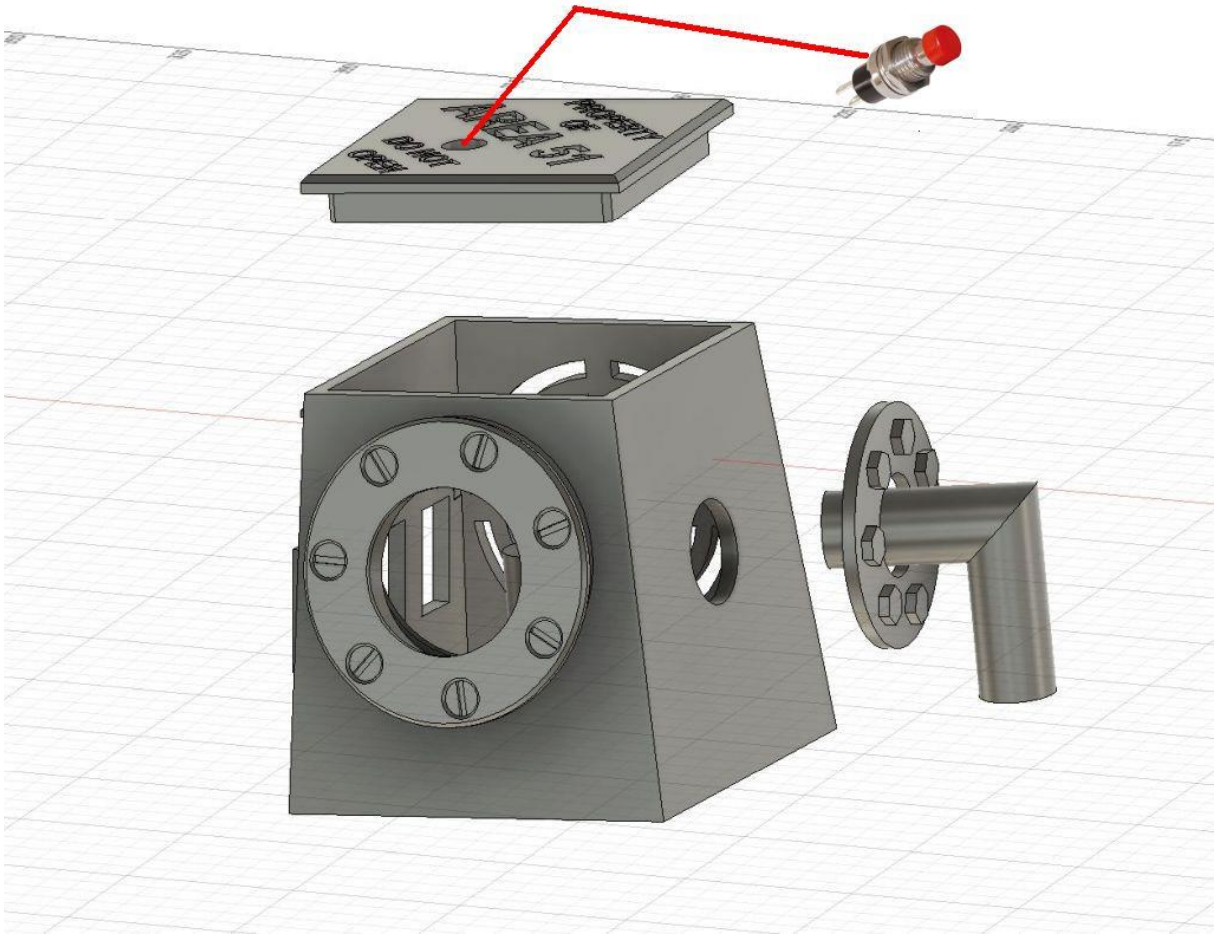
Picture 6



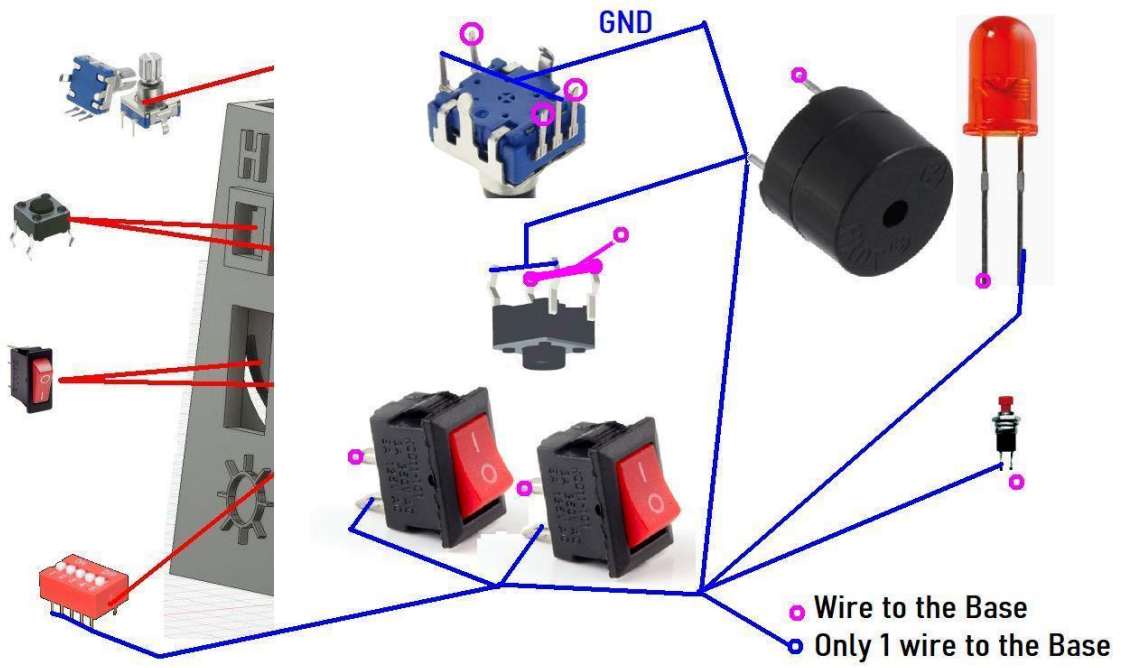
Picture 7



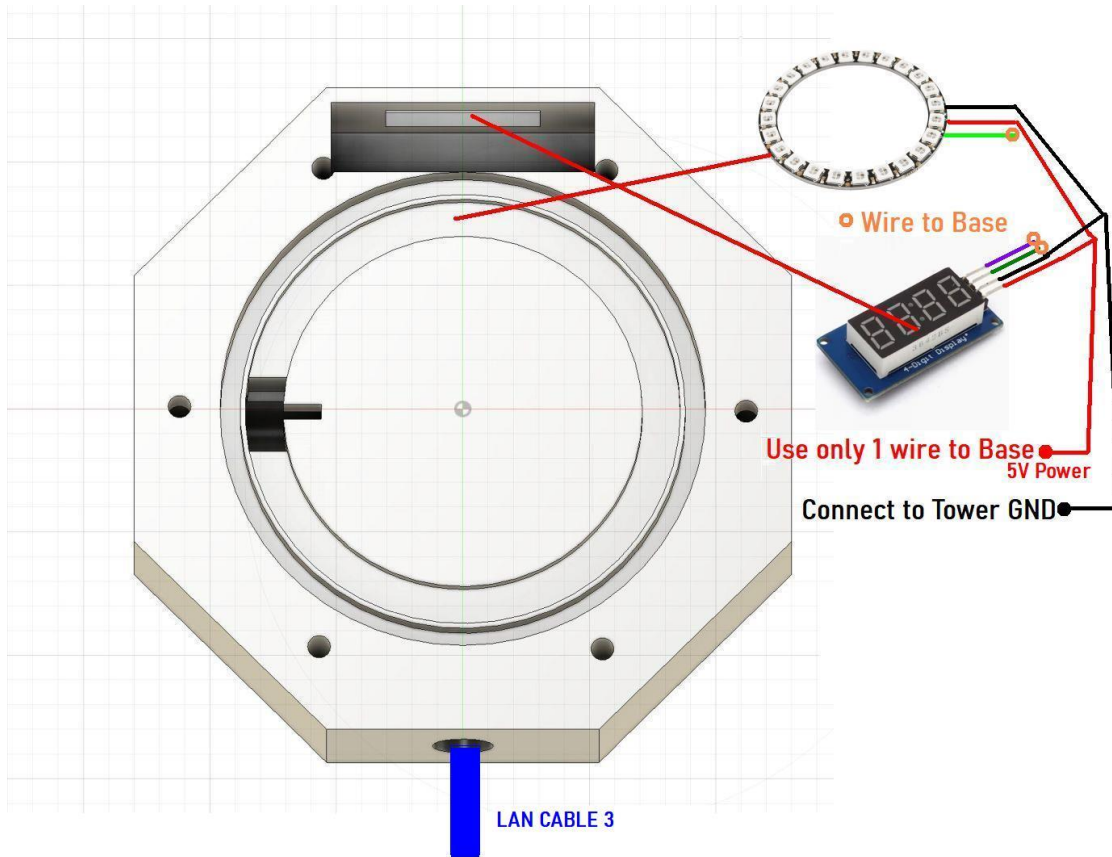
Picture 8



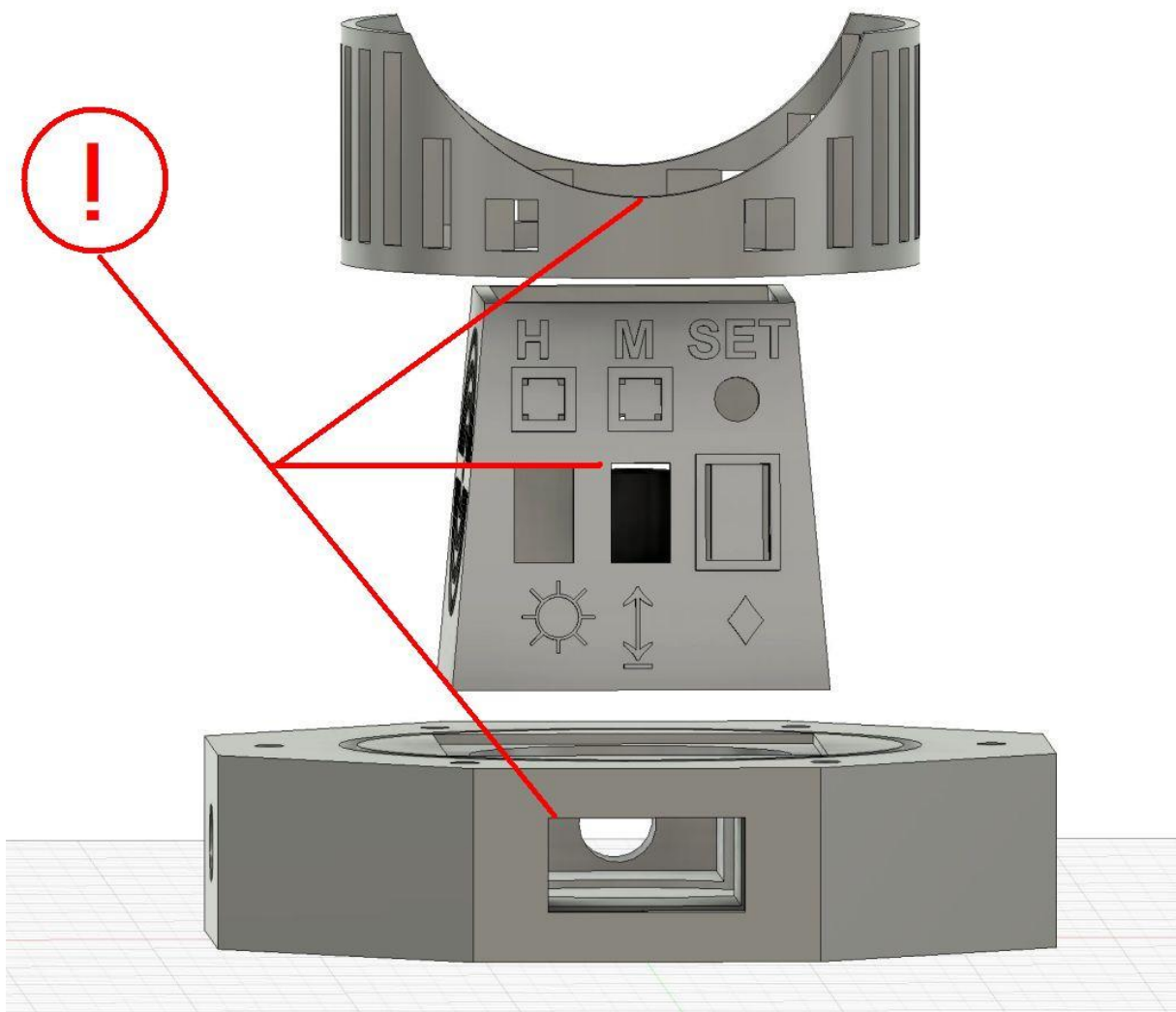
Picture 9



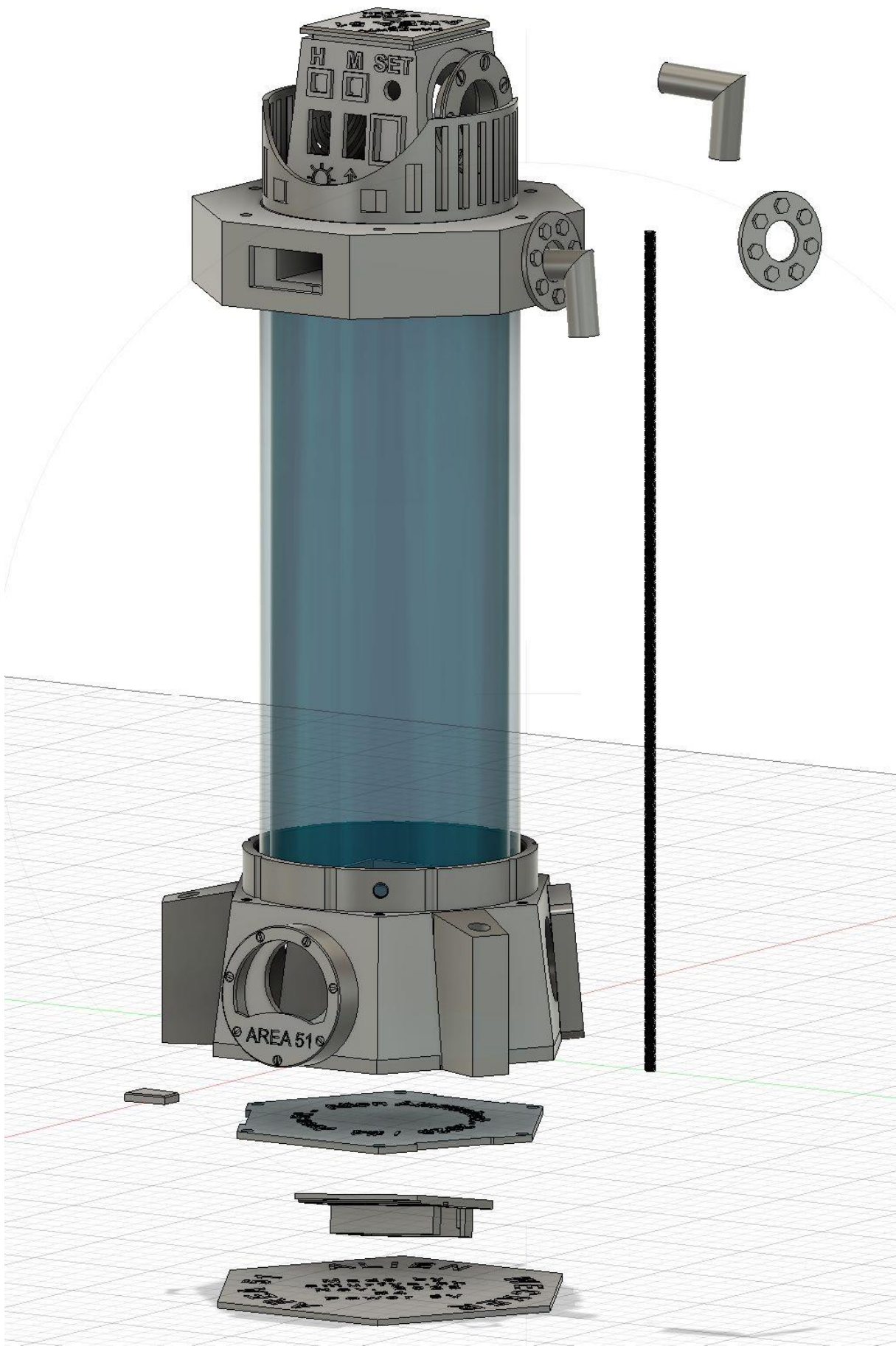
Picture 10



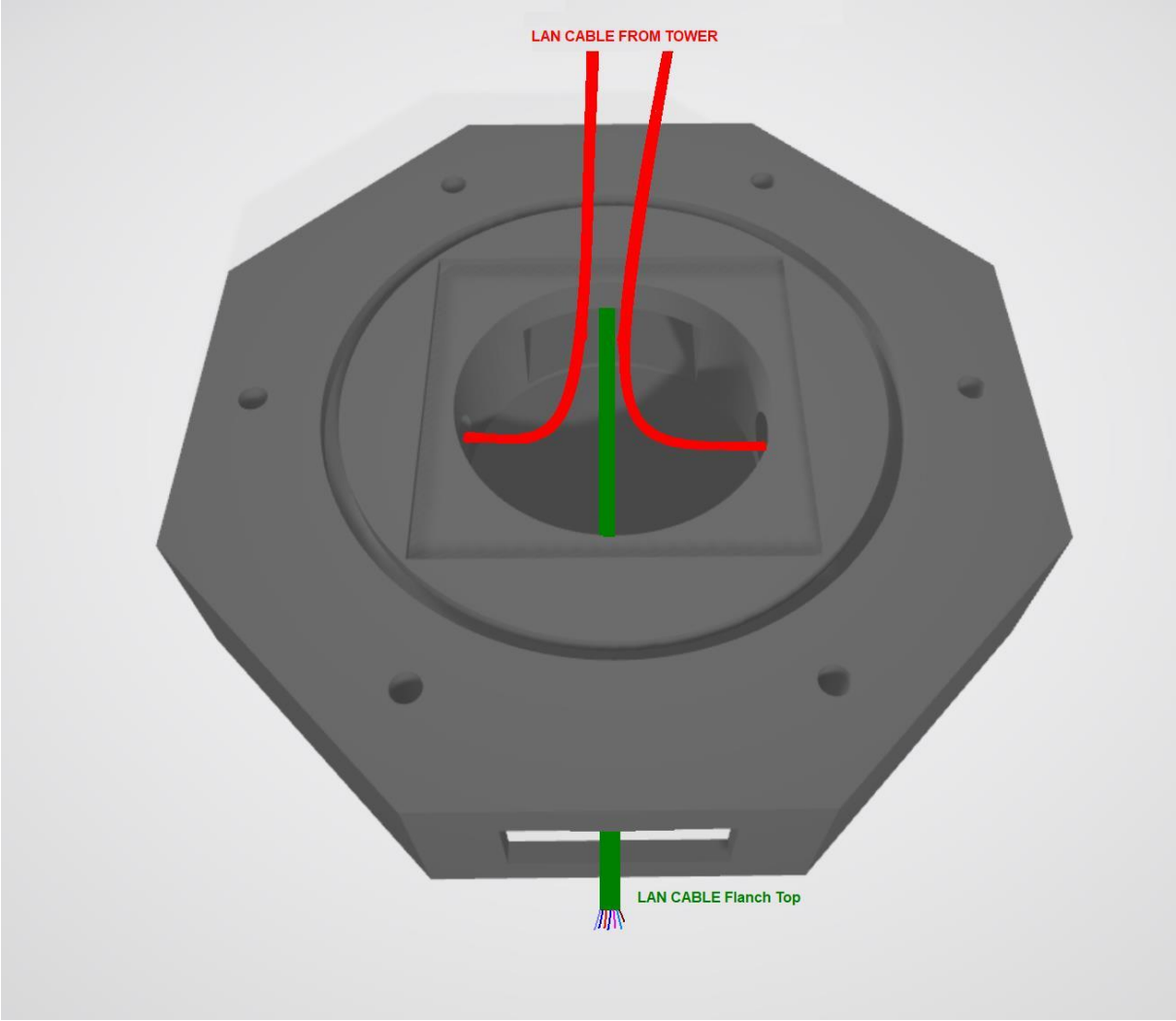
Picture 11



Picture 12



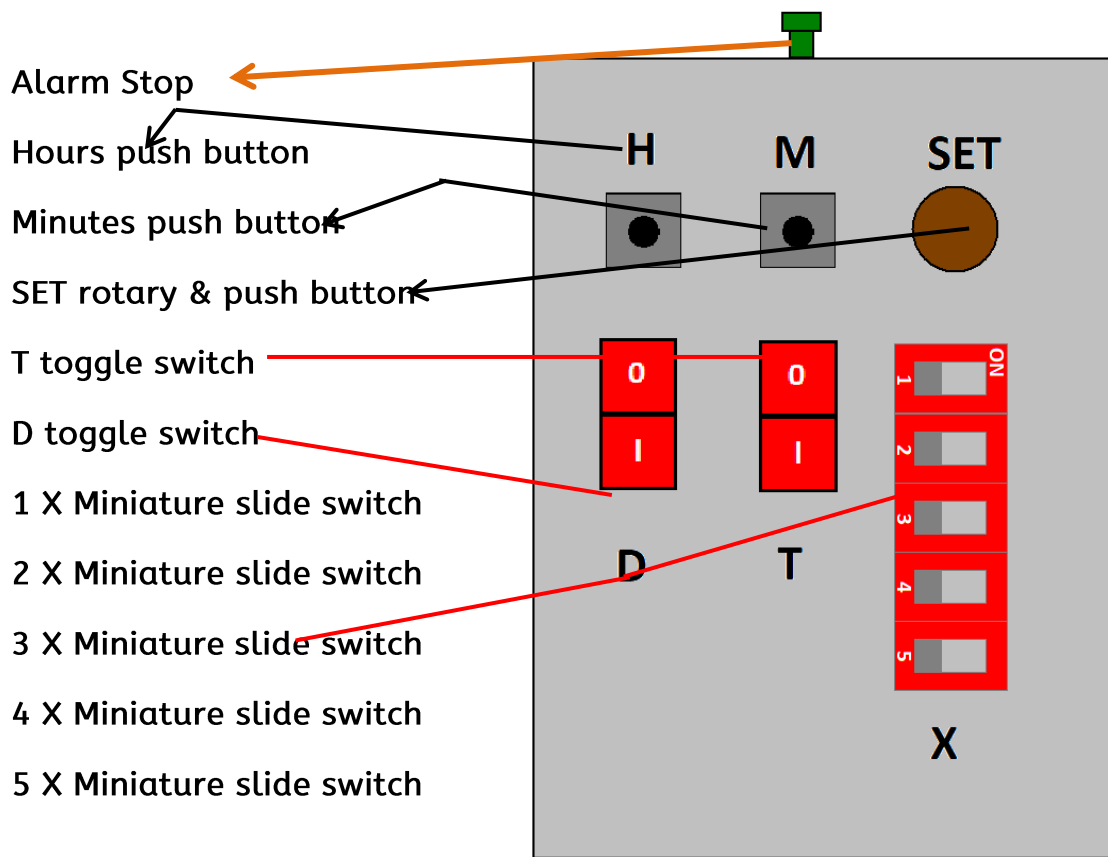
Picture 13



Picture 14



Manometer



H Hour button for selecting the hour setting

M Minutes button to select the minutes setting

SET Turn the SET button to increase or decrease the hours or minutes.

Press the SET button, the alarm time is displayed for 10 seconds.