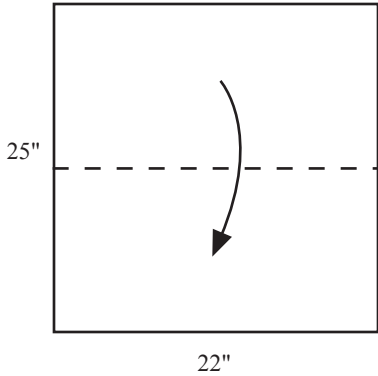


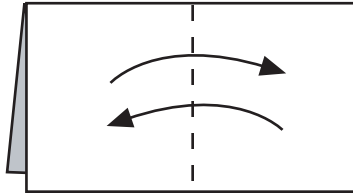
Make a Backbeard Pirate Hat

This project requires a full sheet of newspaper and some tape. You can use the Sunday funnies for a colorful hat, or use sheets of colored craft paper. The paper can be decorated with stamps or other patterns before folding or after the hat is completed.

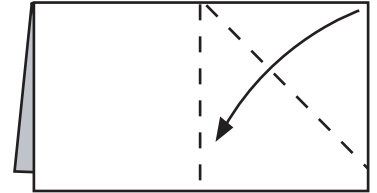
1. Fold paper in half



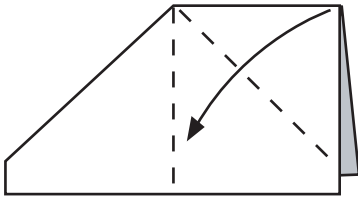
2. Fold and unfold to mark the center



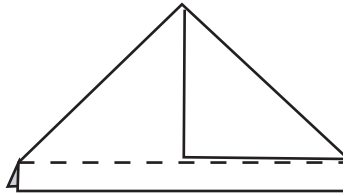
3. Fold corner to center line



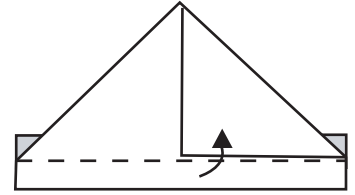
4. Turn over and repeat on other side



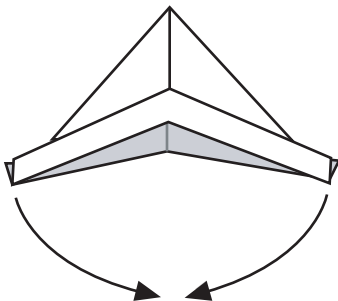
5. Fold up flap (top sheet of paper only)



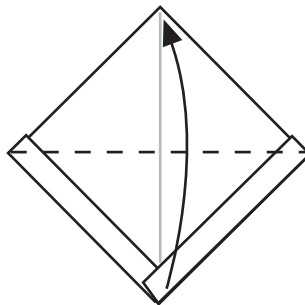
6. Turn over and repeat



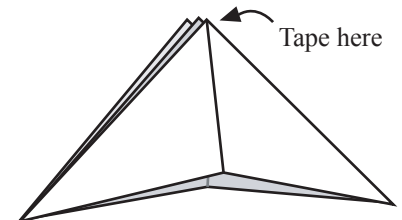
7. Bring left & right corners together and flatten to make a square



8. Fold bottom corner (one sheet only) to top corner, turn over and repeat



Finished! A small piece of tape over the top point helps keep the hat together.



Finished hat