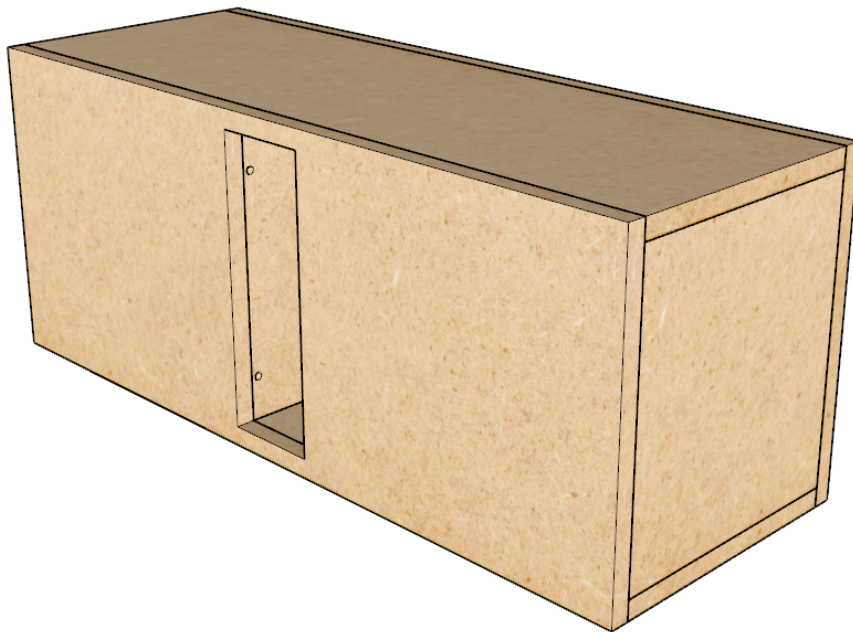
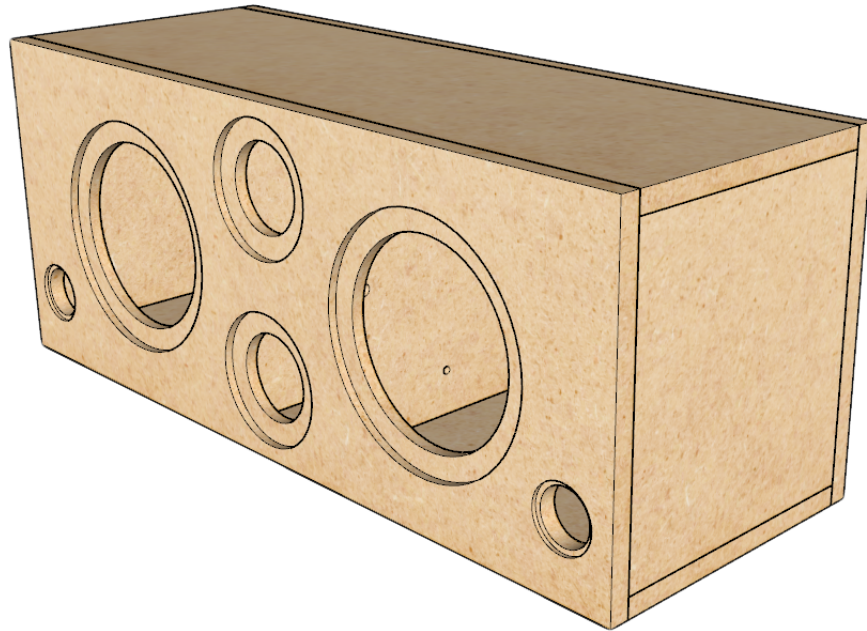
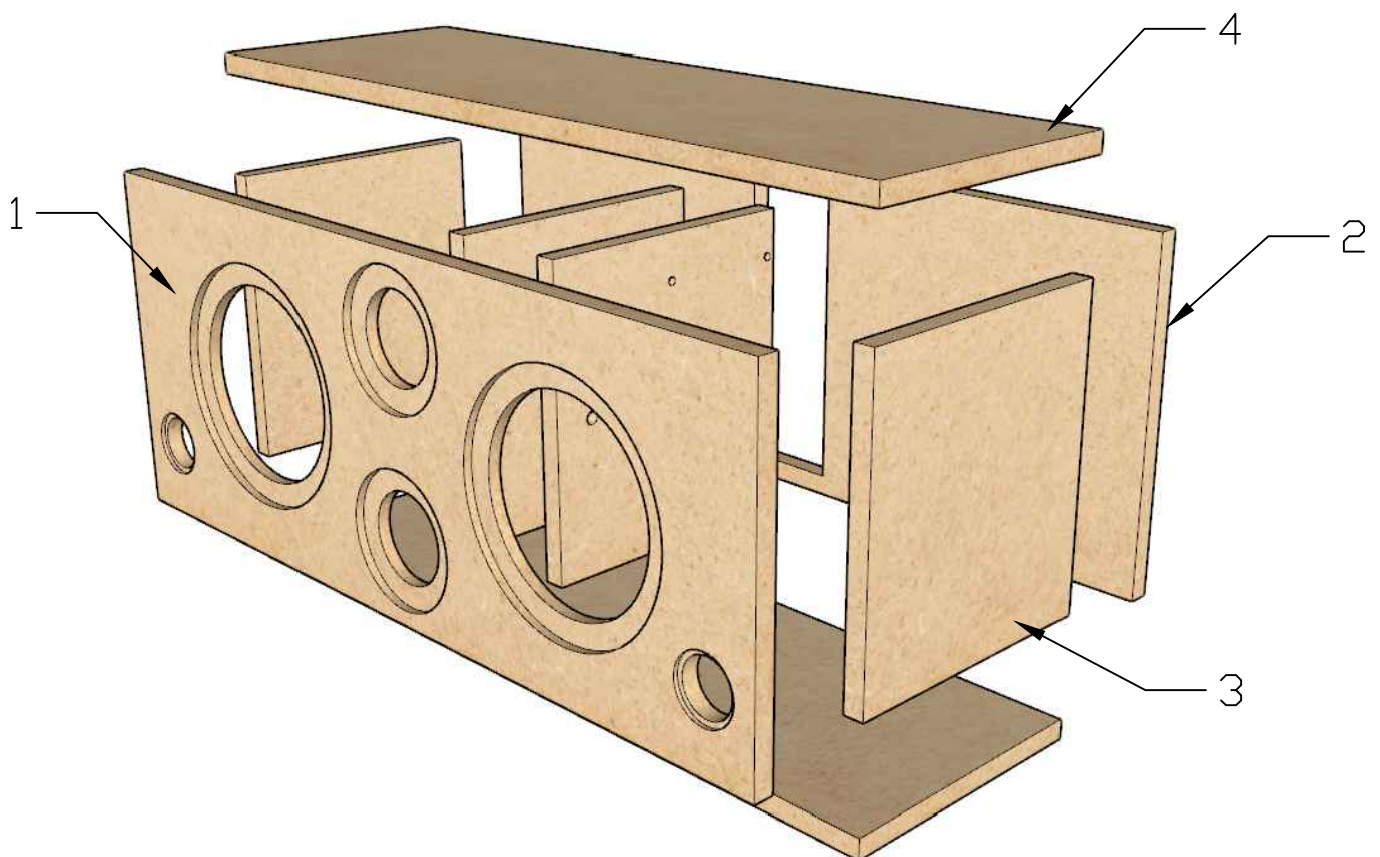


Bluetooth/WiFi Speaker

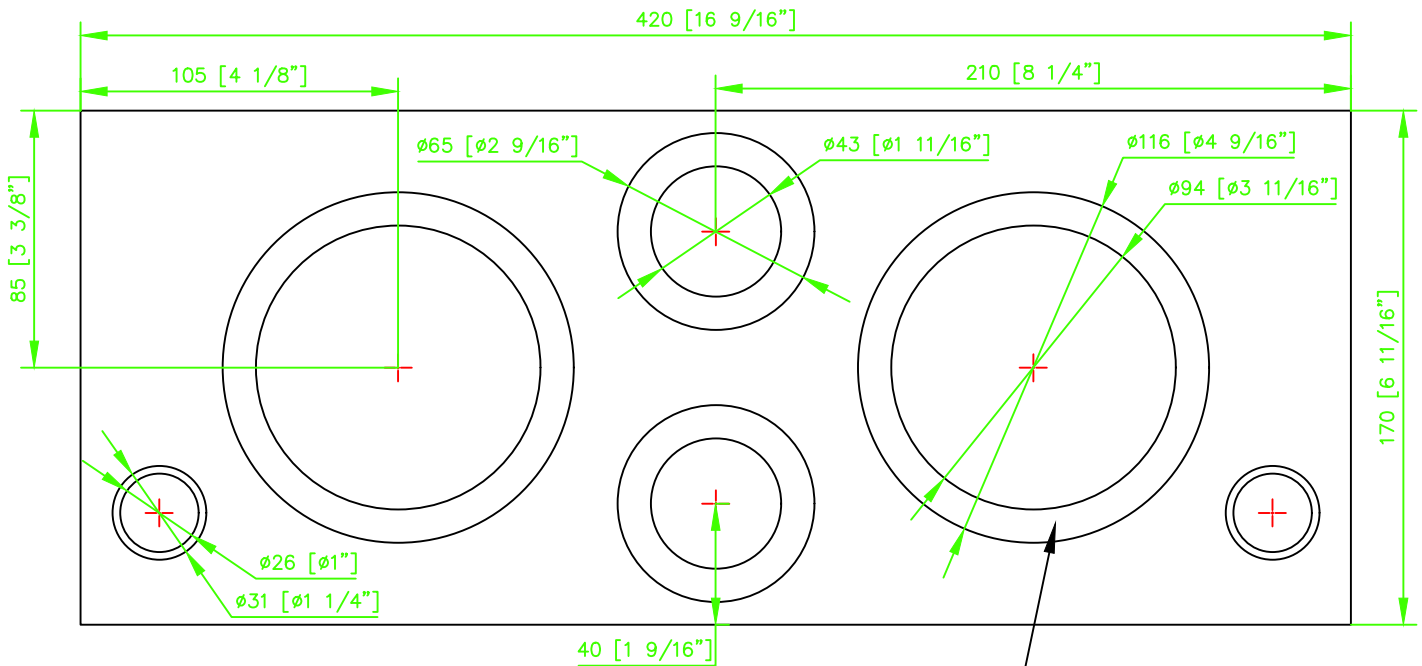
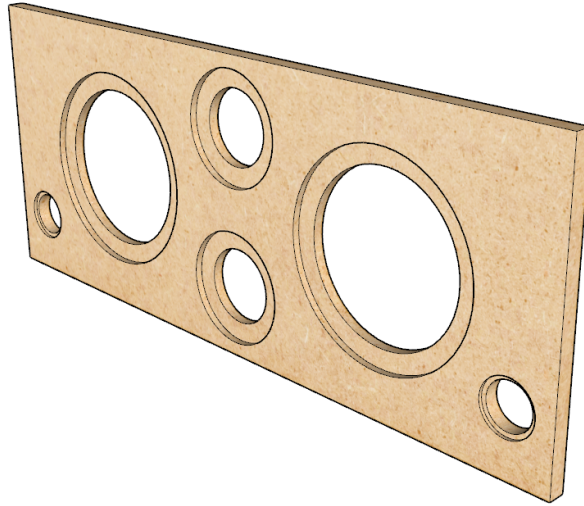


Bluetooth/WiFi Speaker

ITEM NO.	PART NAME	QTY.
1	Front	1
2	Back	1
3	Side	4
4	Top/bottom	2

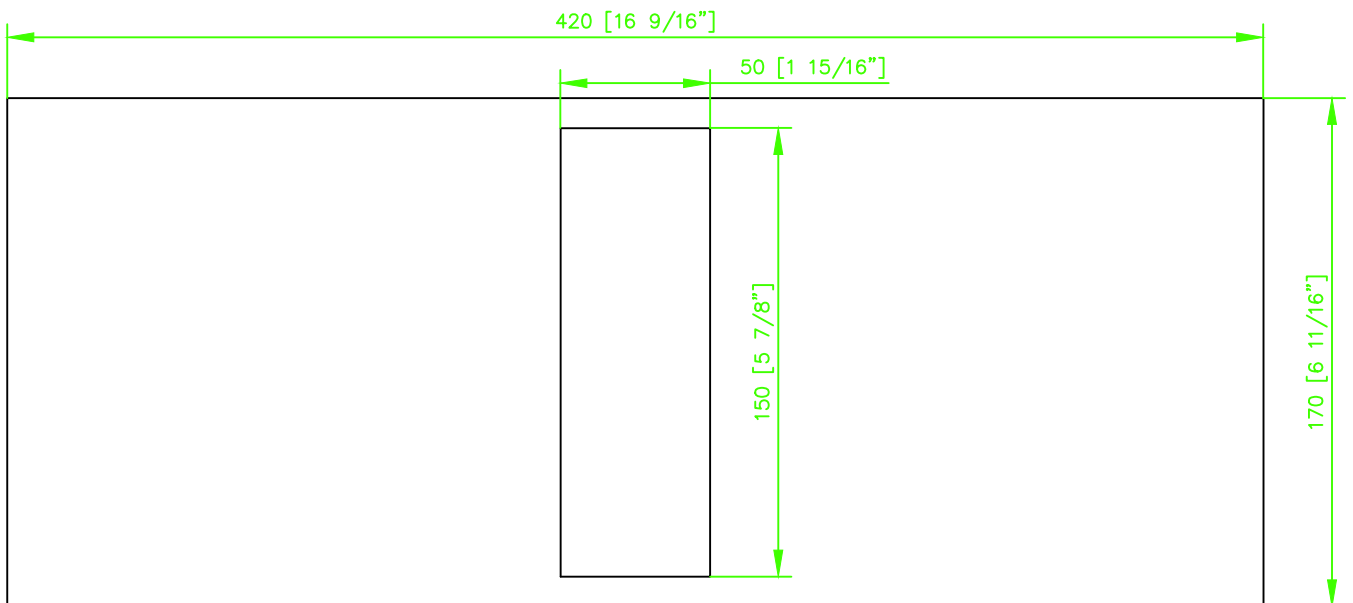
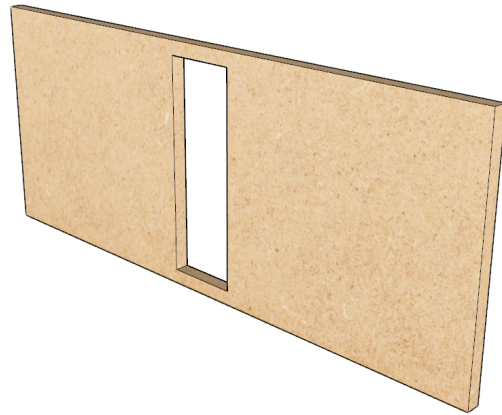


Part name: Front

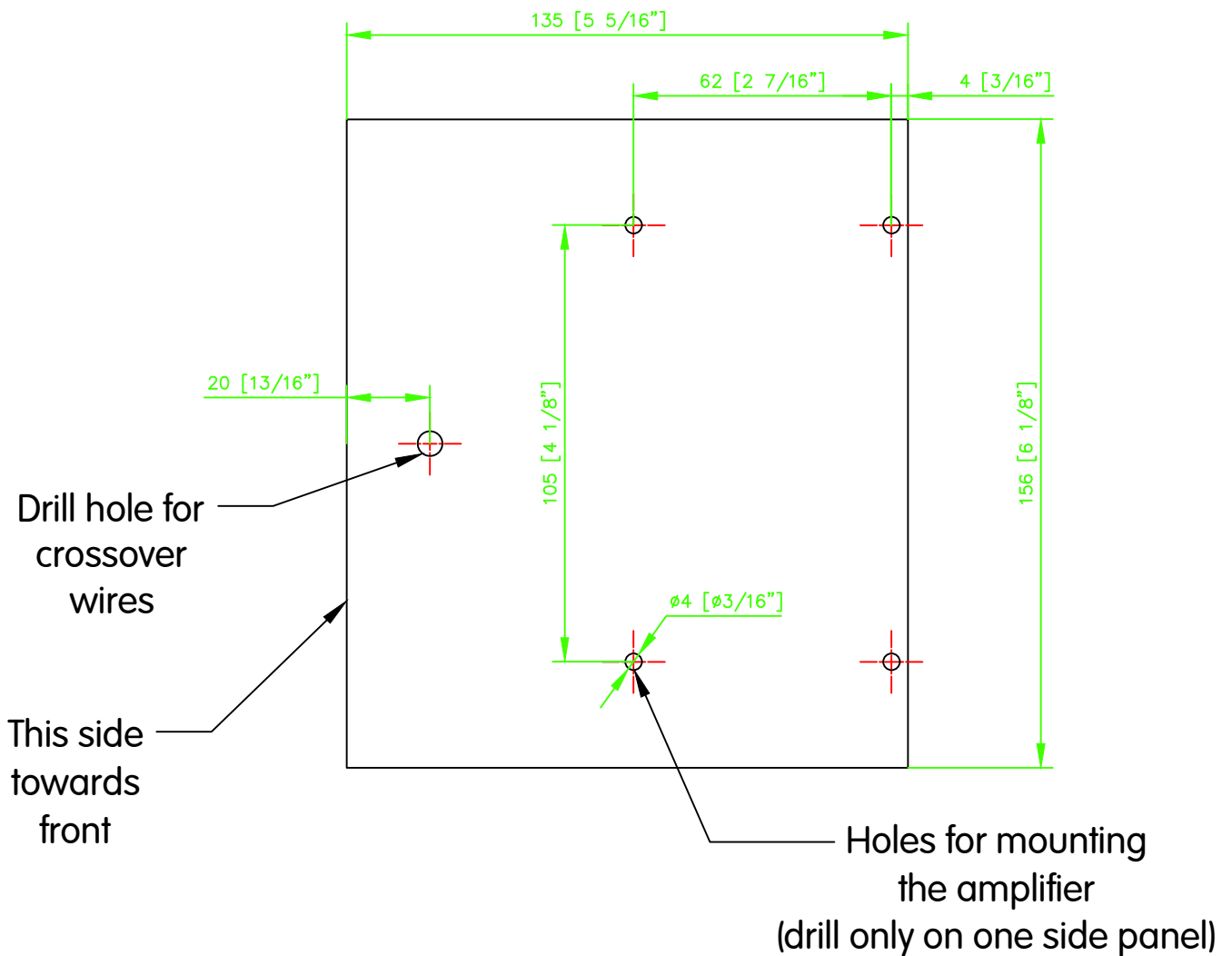
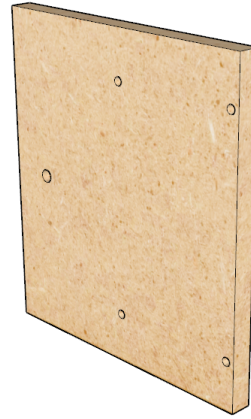


Cut the outer circles 4mm deep
for flush mounting of the speakers

Part name: Back

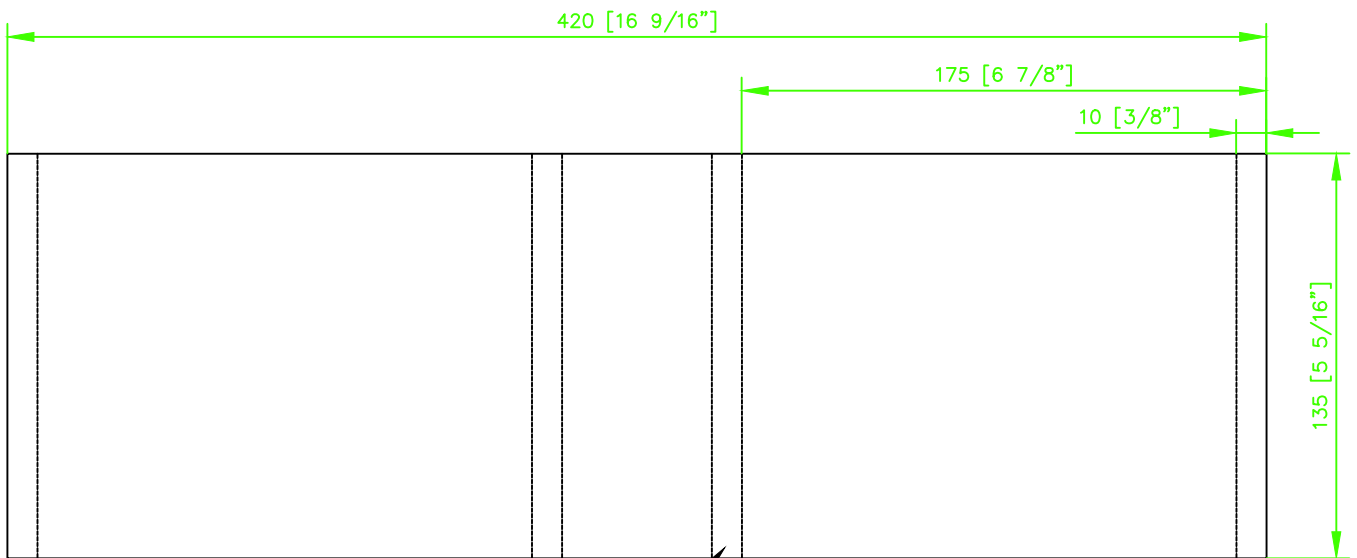
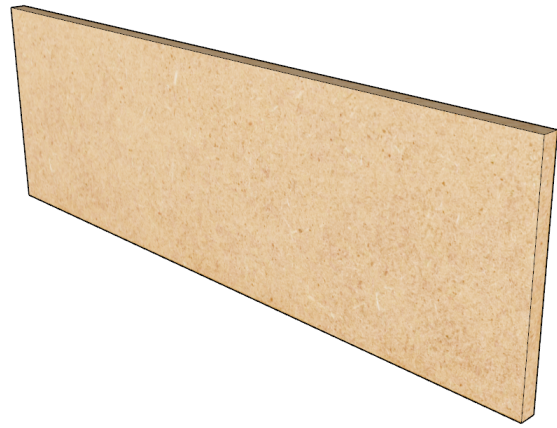


Part name: Side





Part name: Top / Bottom



MATERIAL:
10mm MDF

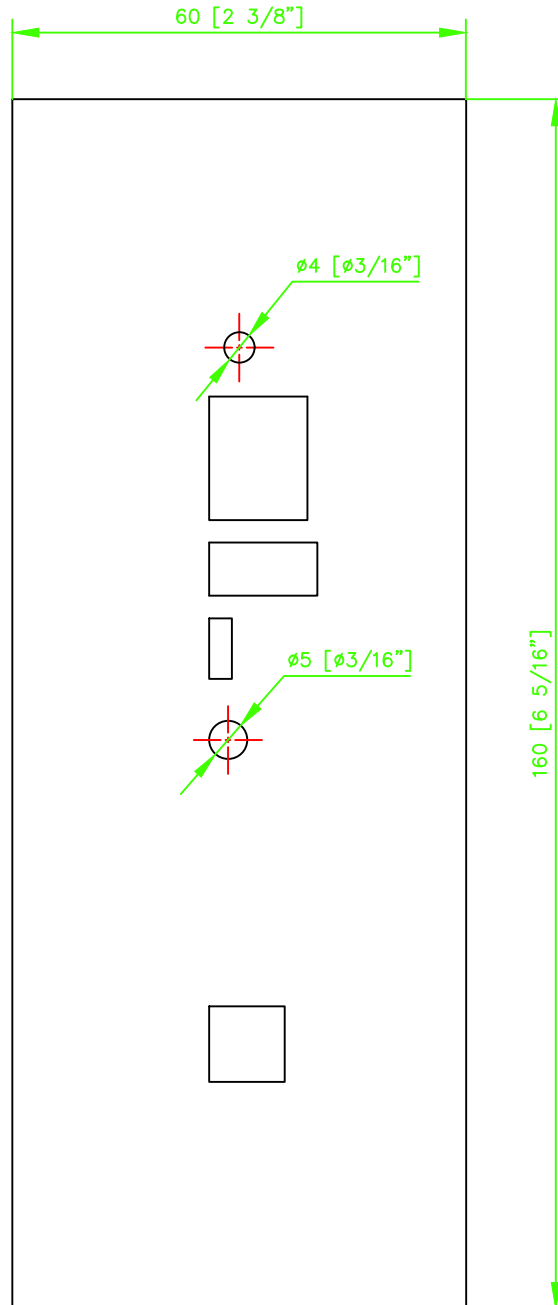
DRAWN BY:
Donny Terek

YOUTUBE CHANNEL:
[youtube.com/c/DonnyTerek](https://www.youtube.com/c/DonnyTerek)

SHEET
6 OF 7



Part name: Control panel



MATERIAL:
2mm Plexiglass

DRAWN BY:
Donny Terek

YOUTUBE CHANNEL:
[youtube.com/c/DonnyTerek](https://www.youtube.com/c/DonnyTerek)

SHEET
7 OF 7