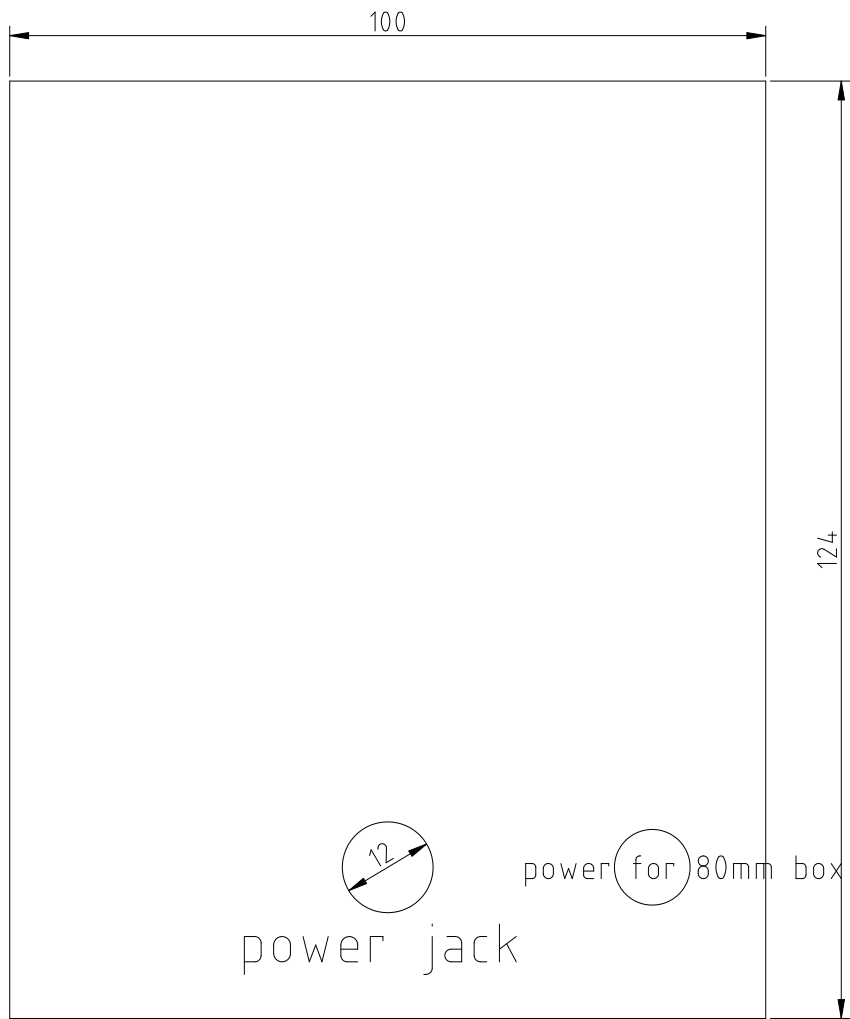
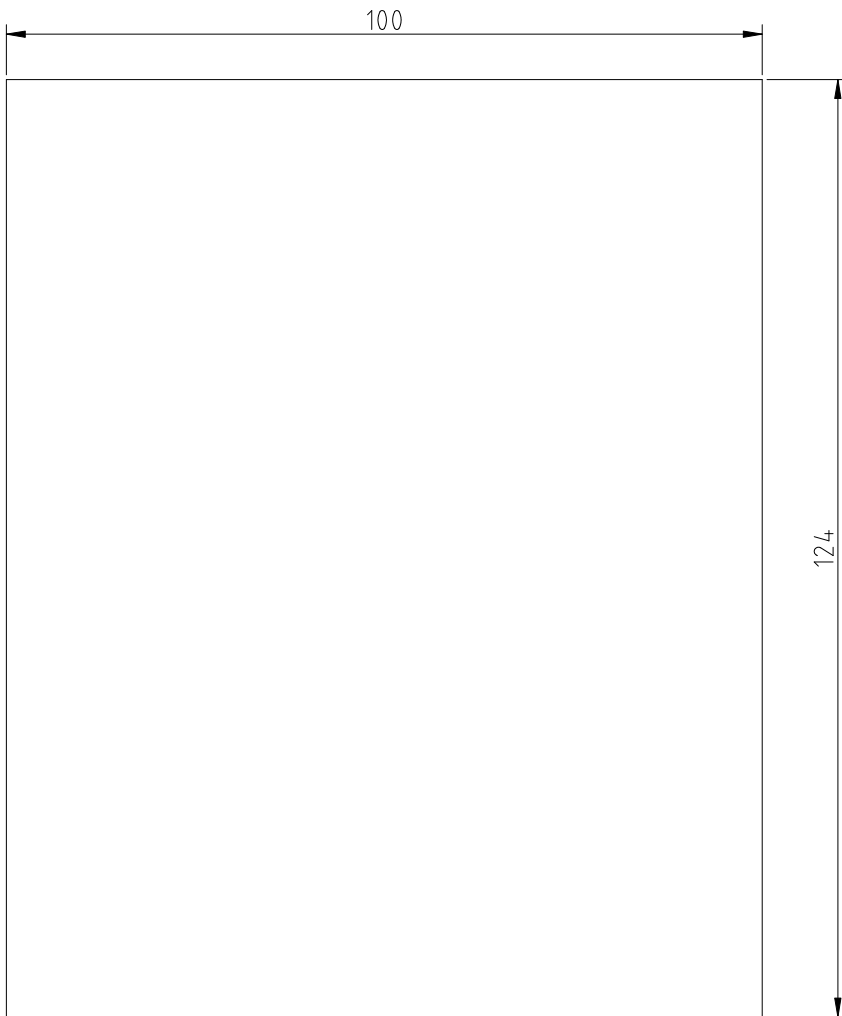


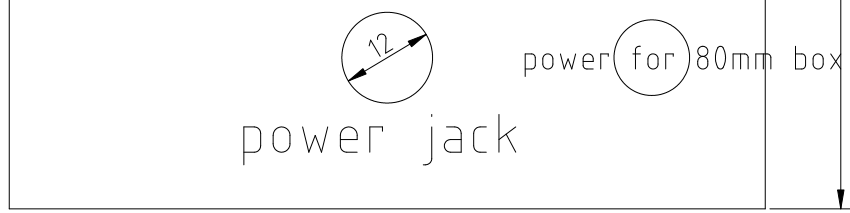
Front for both 120mm fan boxes (cut twice)



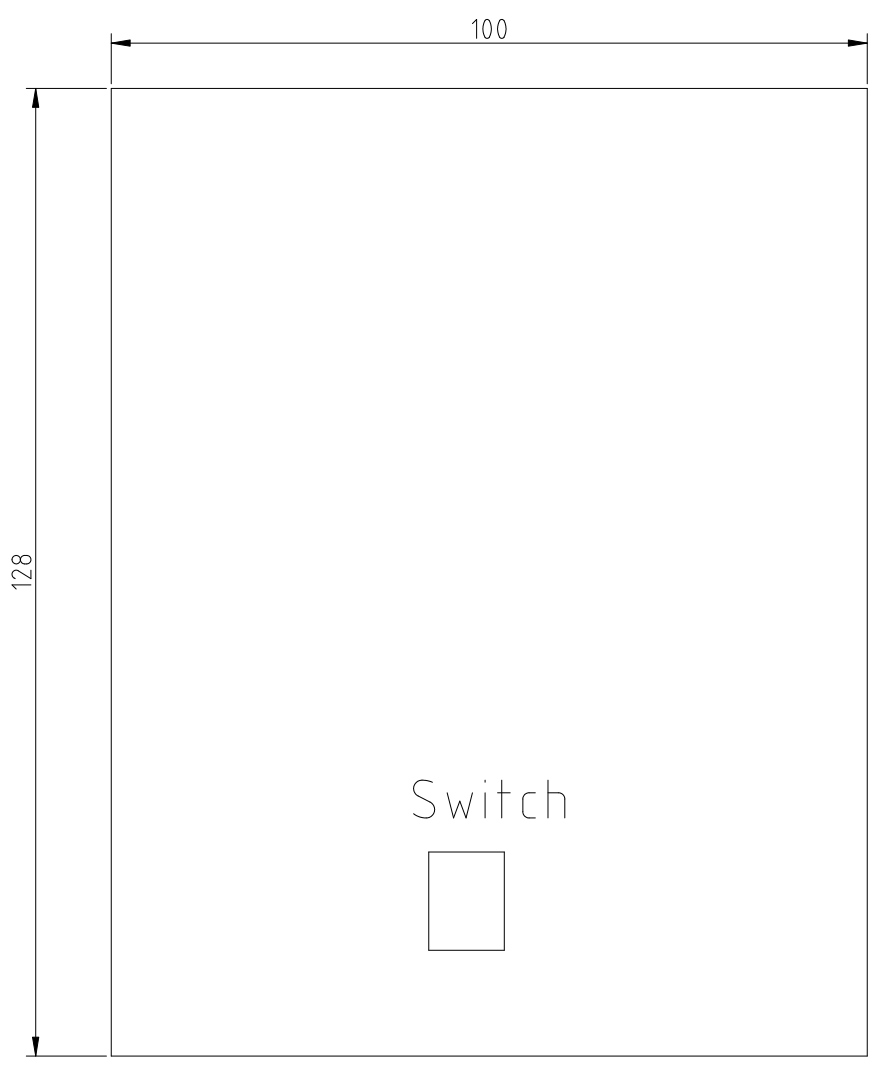
right wall with power jack  
!only cut once!



cut 6 times  
one top  
two lefts  
one right  
two bottom



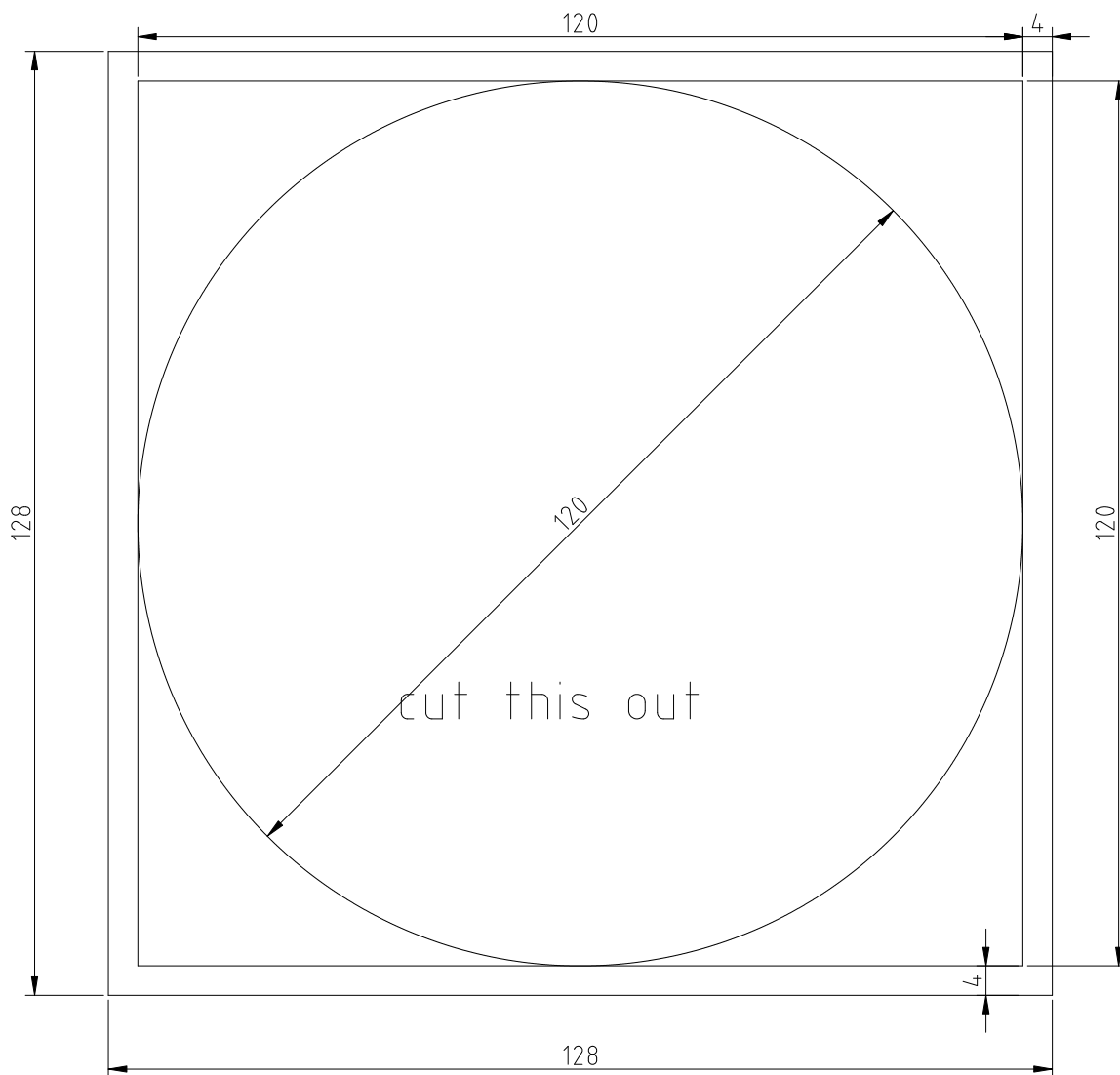
right wall with power jack  
!only cut once!



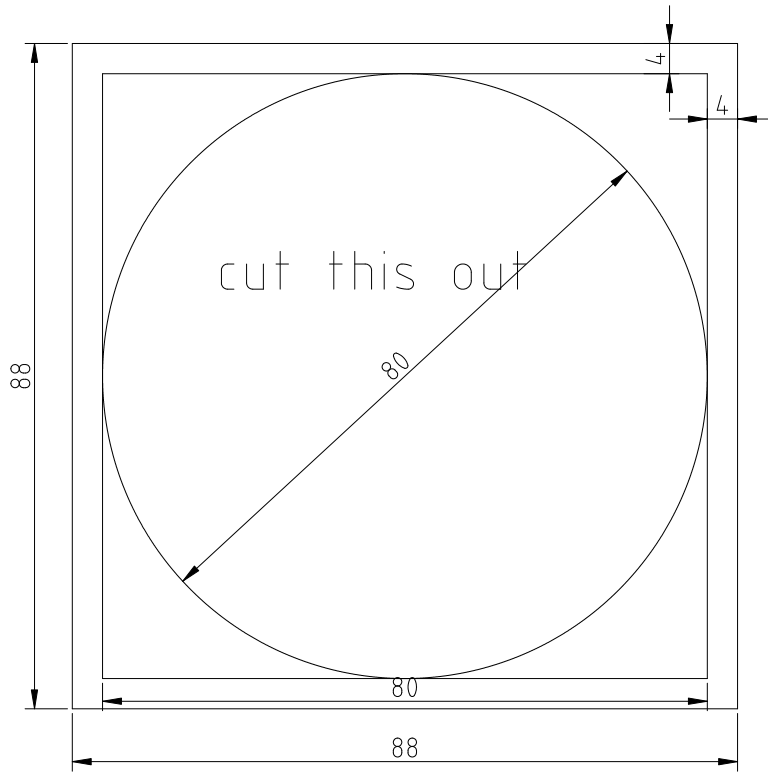
top of one box  
with switch  
cut one time



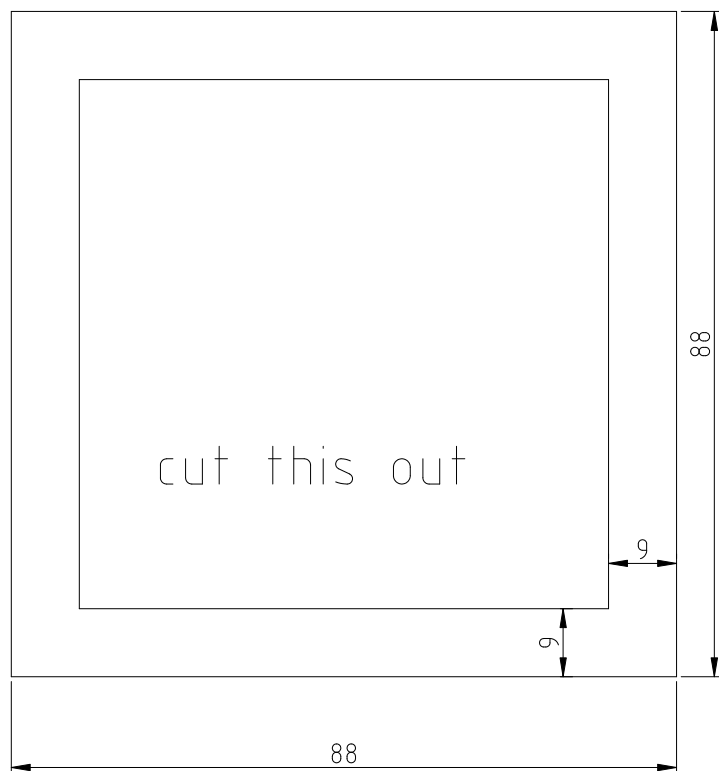
Front for both 120mm fan boxes (cut twice)



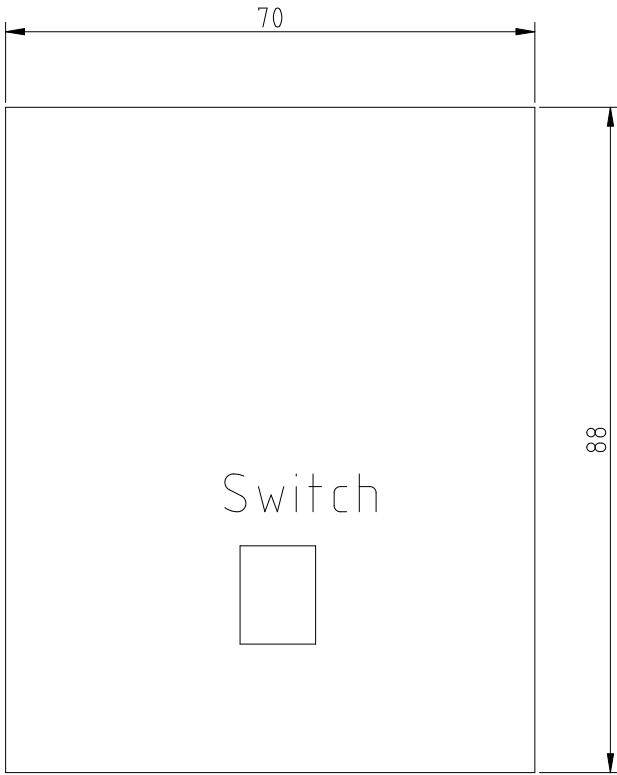
Backside for Both 120mm fan boxes (cut twice)



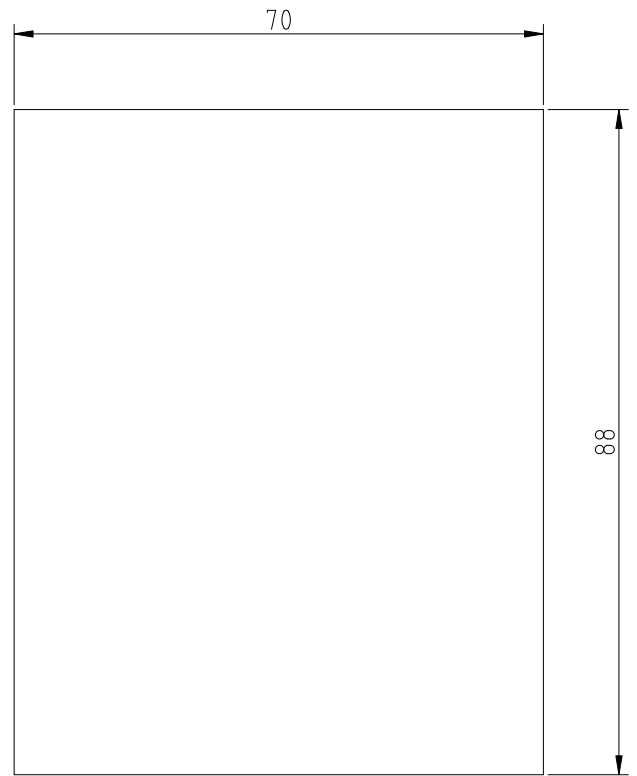
backside of the 80mm fan box  
!only cut once!



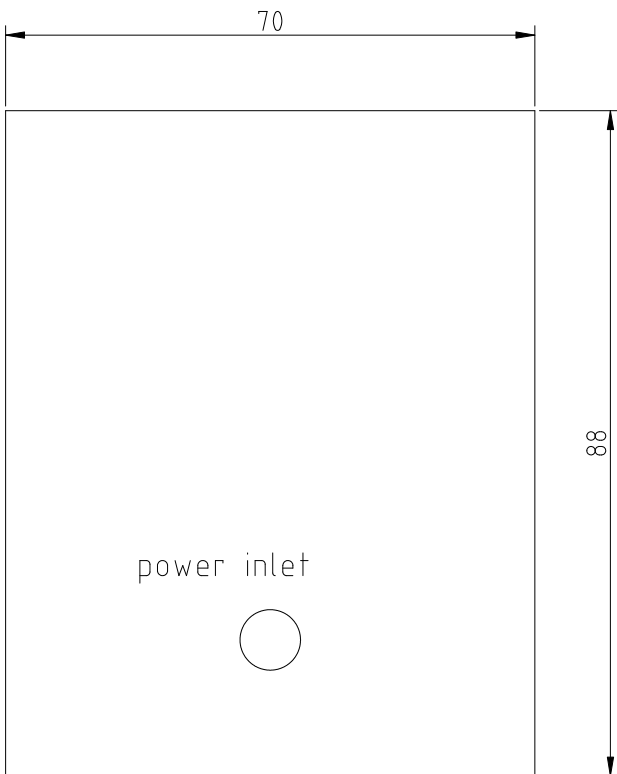
front of the 80mm fan box  
!only cut once!



top wall the 80mm fan box  
!only cut once!



bottom and left wall of the 80mm fan box  
! twice !



right wall with power inlet,  
from the bigger box