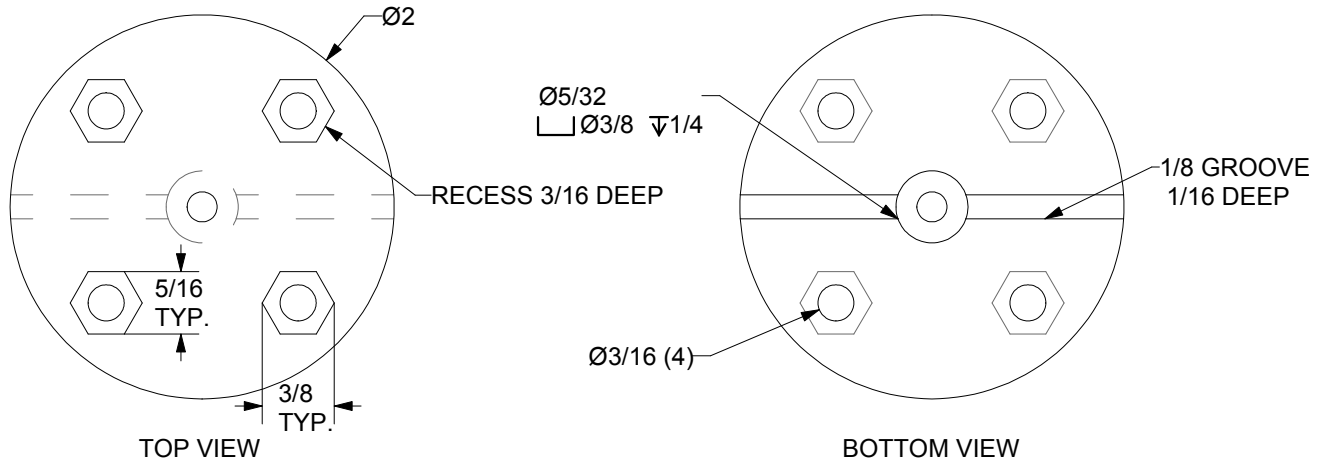
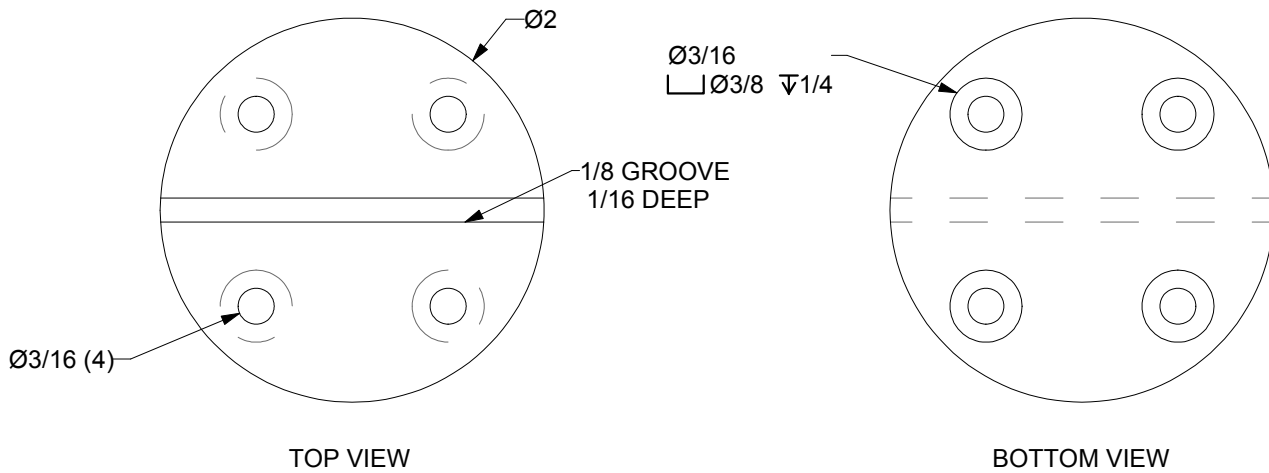


TOP HUB



BOTTOM HUB



NOTES:
MATERIAL 1/2 HDPE

PART NAME:

PROPELLER HUB

DRAWN BY: NC

NO. REQ: 1

DATE: 26/4/2012

UNITS: INCHES

SCALE: 1" = 1"

SHT: 1 OF 1

SIZE: LETTER

REV: 0