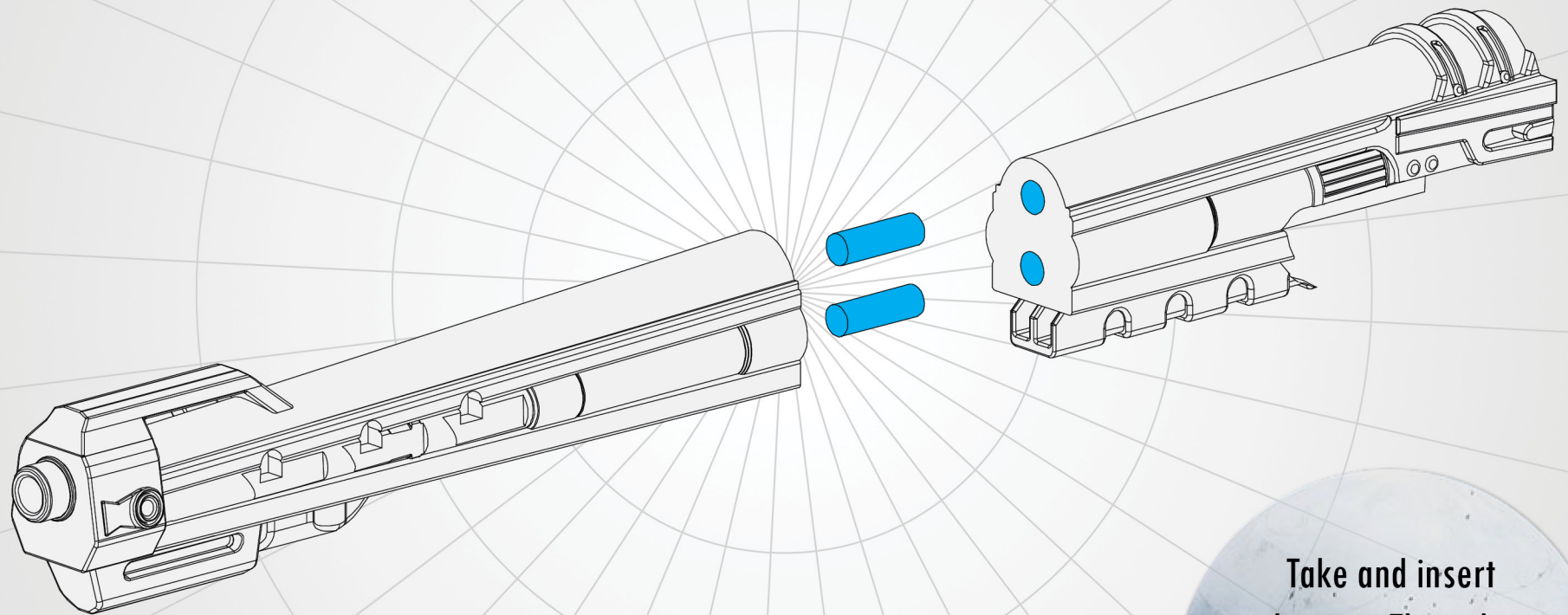
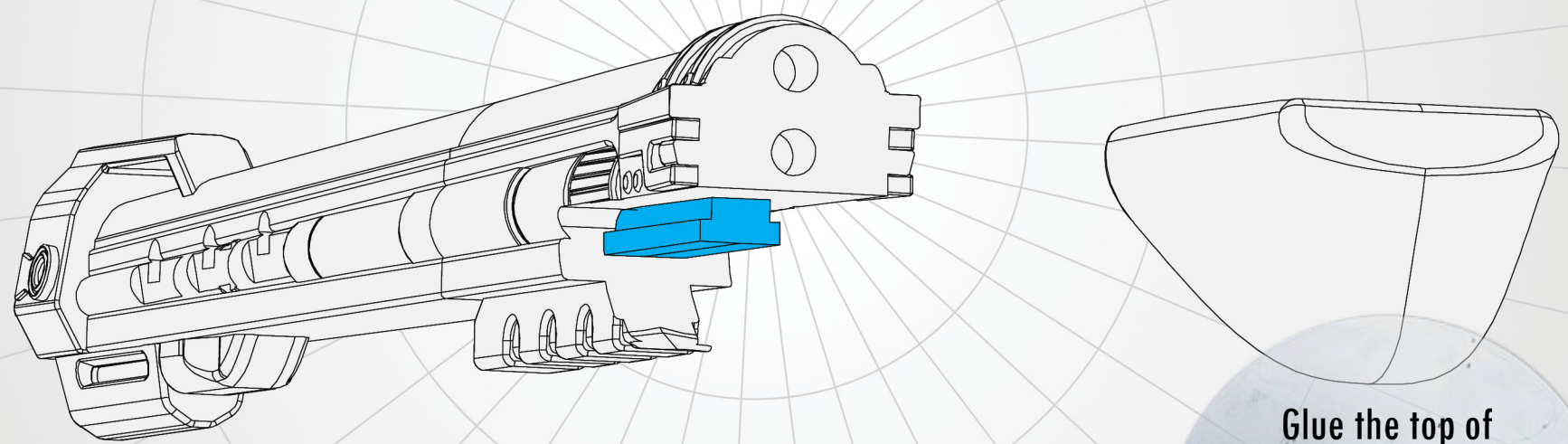
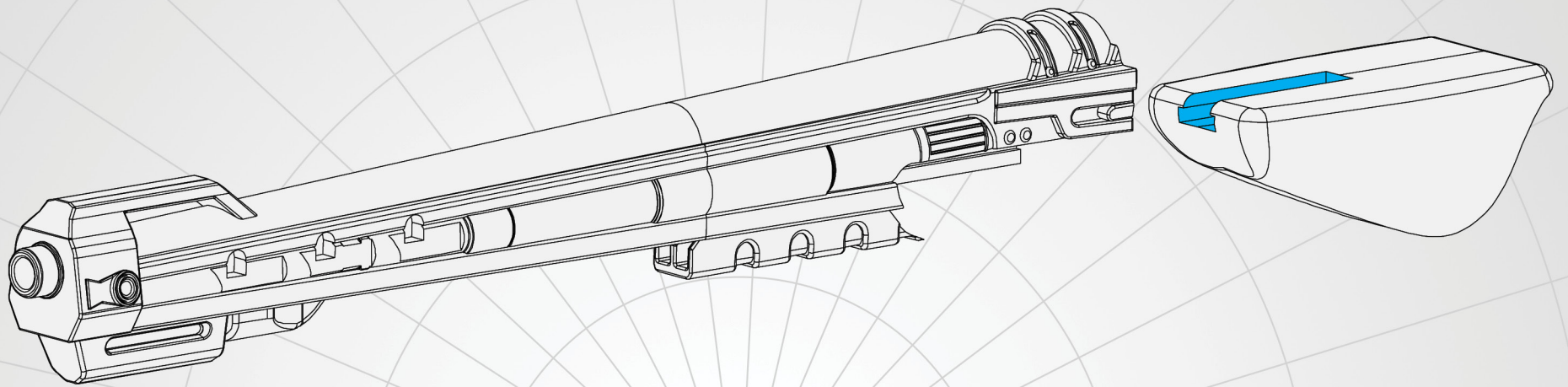


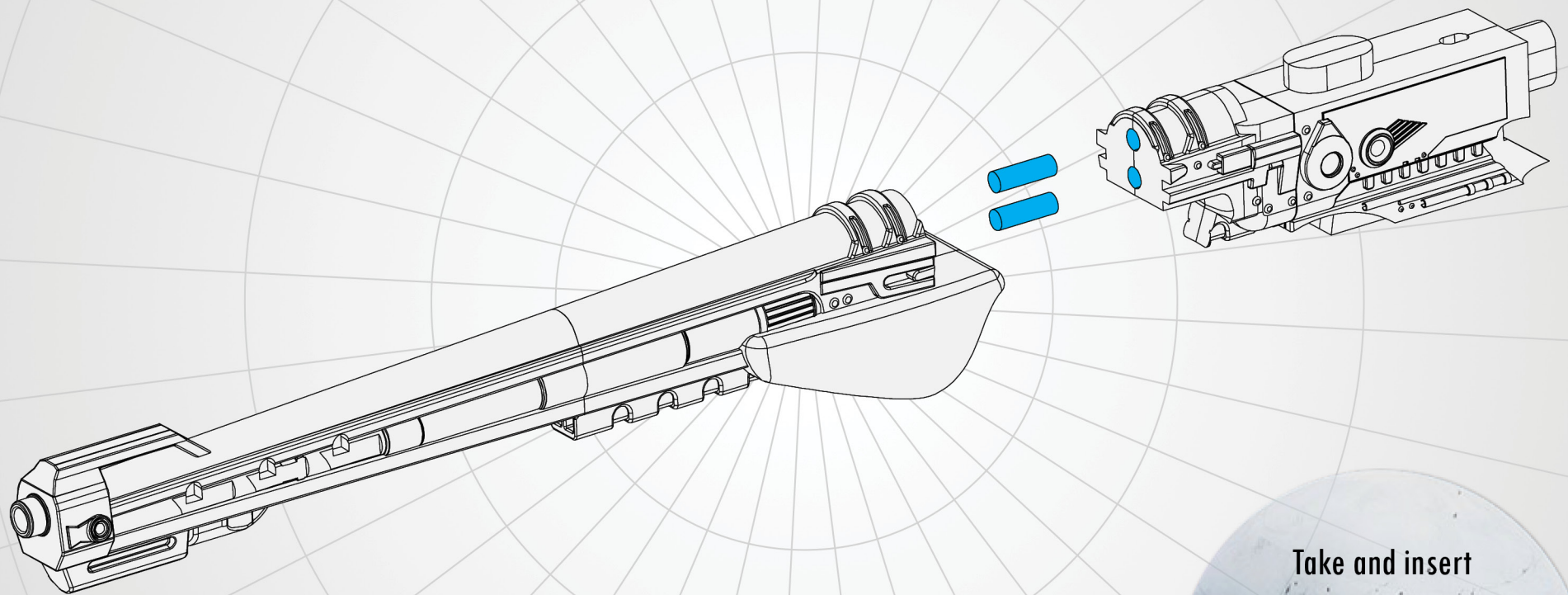
**Take and insert
the pins. Then glue
each contacting part and
press together.**



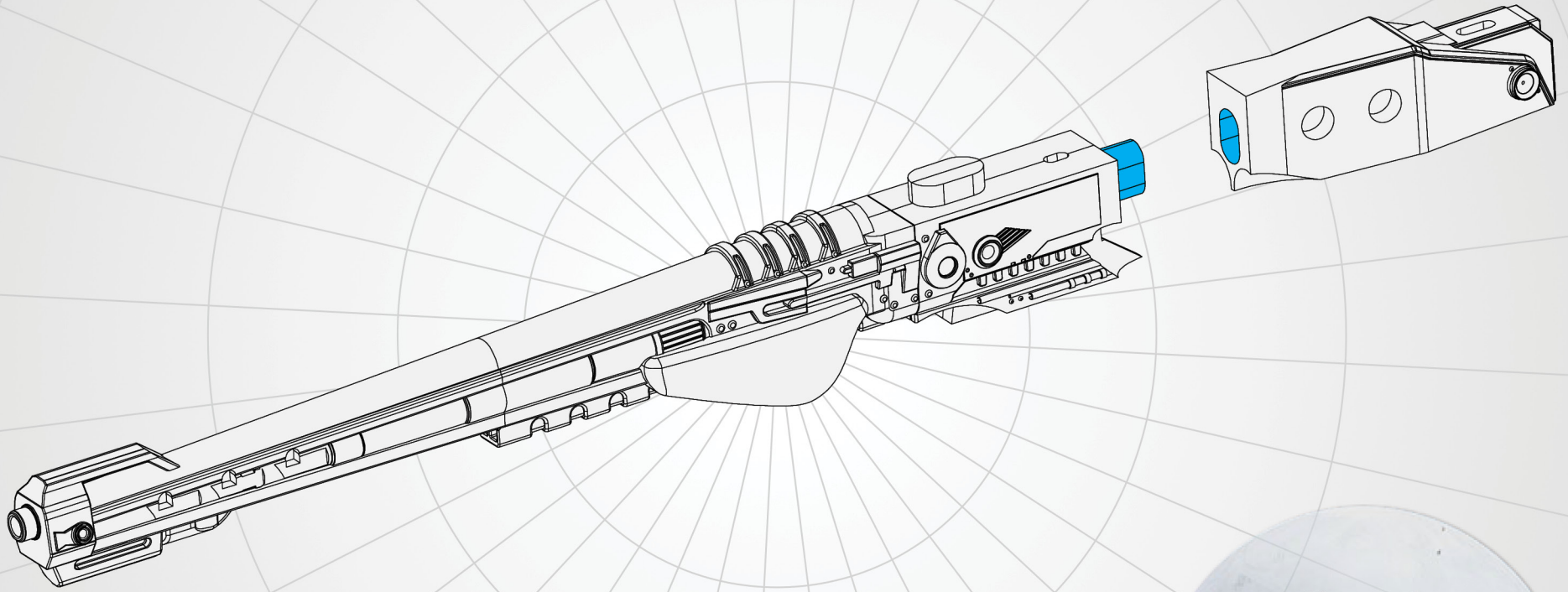
**Take and insert
the pins. Then glue
each contacting part and
press together.**



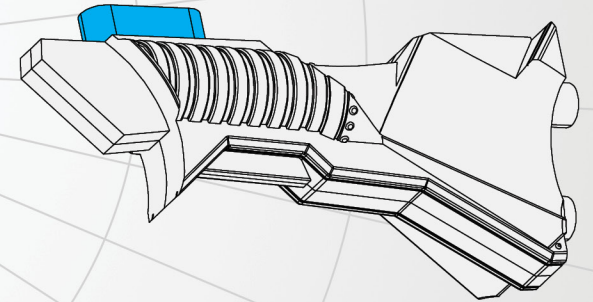
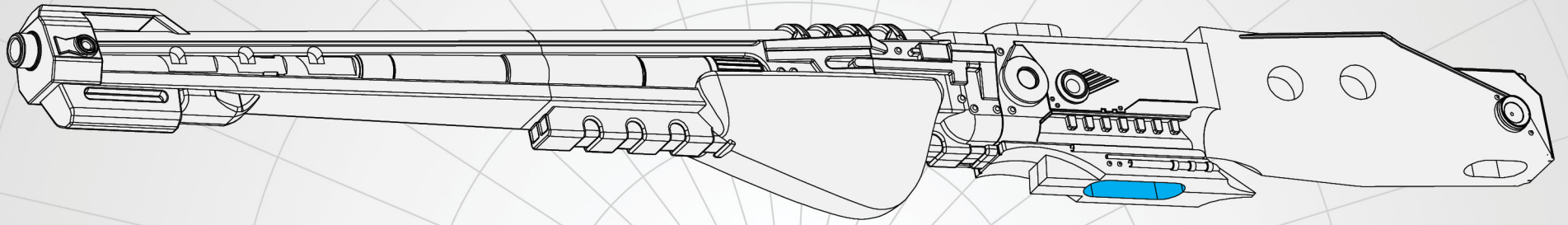
Glue the top of the grip piece and slide along the rail. Make sure you do this before the next step.



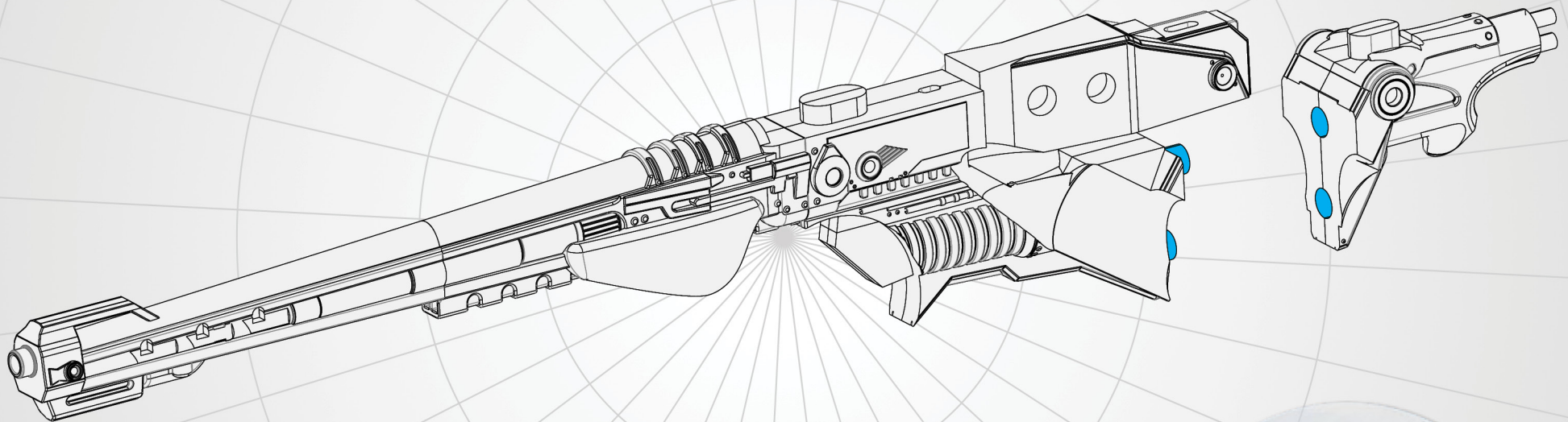
Take and insert the pins. Then glue each contacting part and press together. If the grip doesn't fit, sand the edges until it does.



**Glue each
contacting part and
press them into their
corresponding slots.**

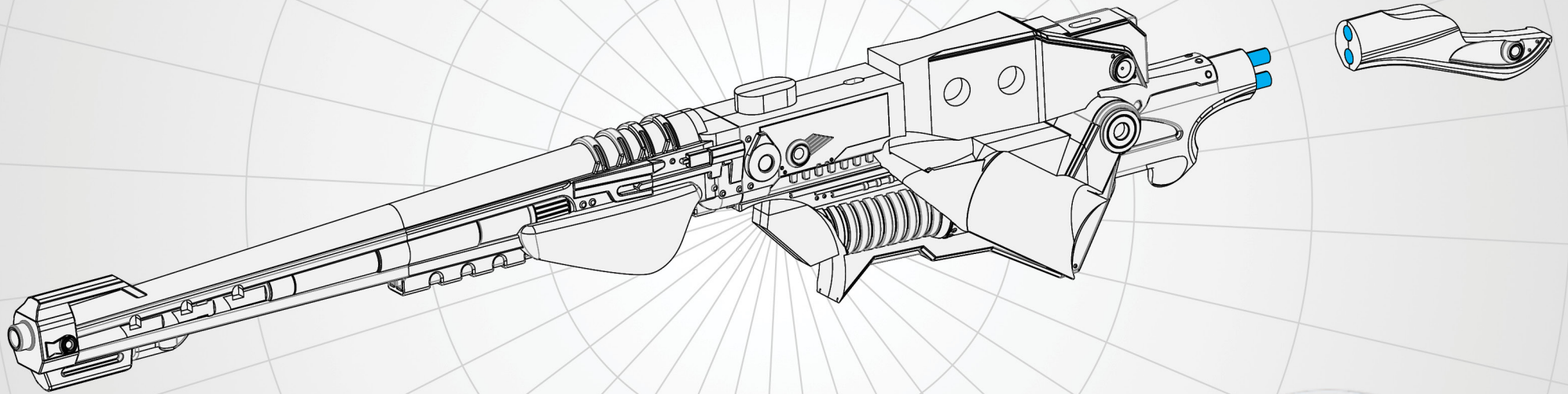


Glue each
contacting part and
press them into their
corresponding slots.

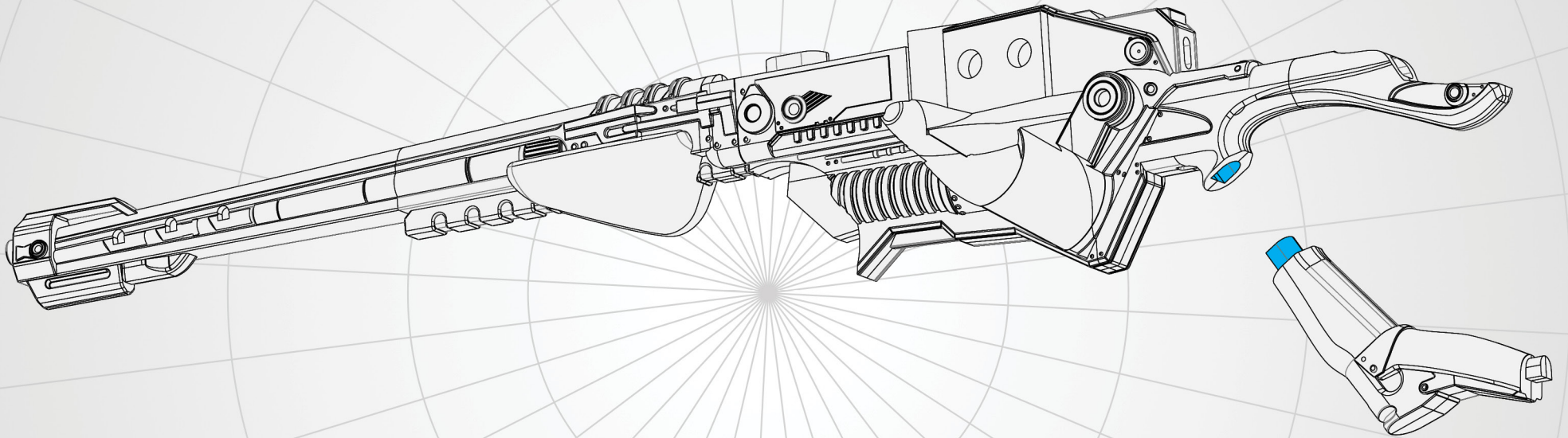


Glue each contacting part and press them into their corresponding slots.

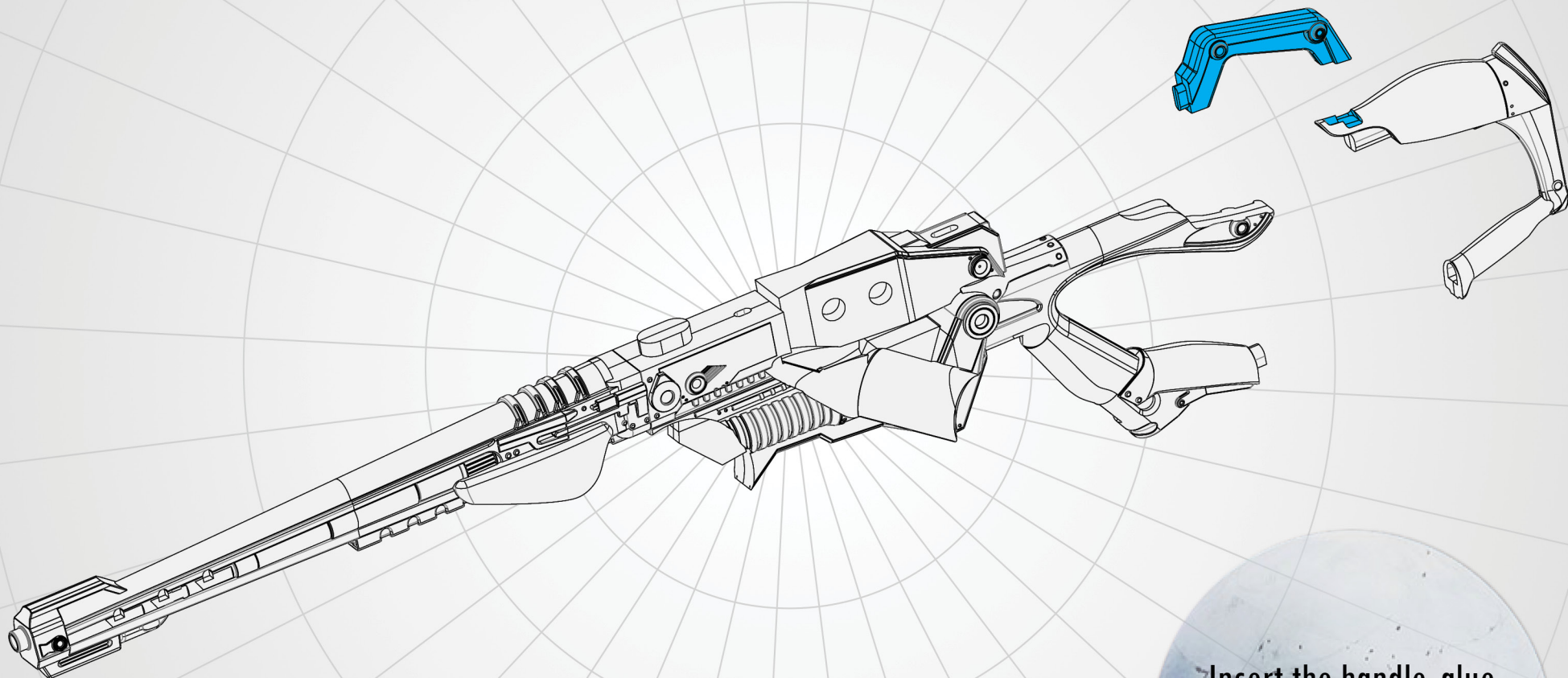




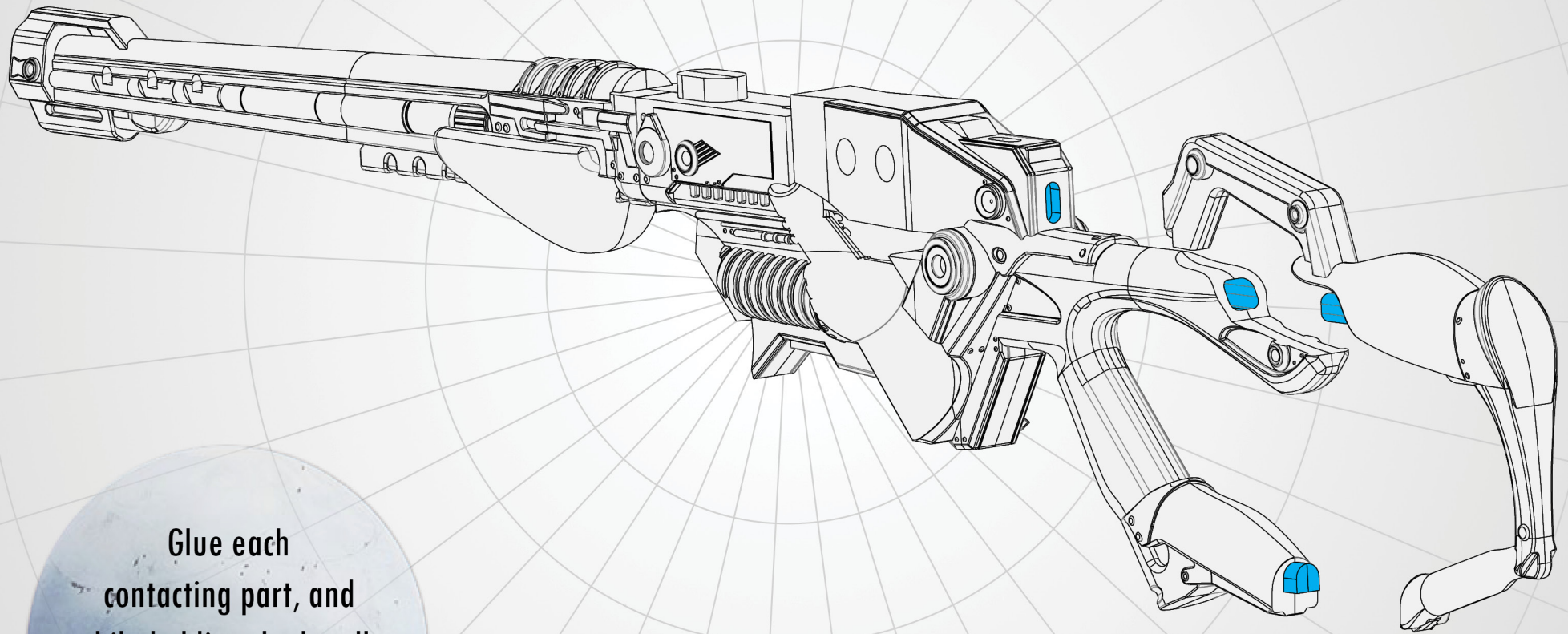
Glue each contacting part and press them into their corresponding slots. **Make sure this part is done in the right order or else it won't work.**



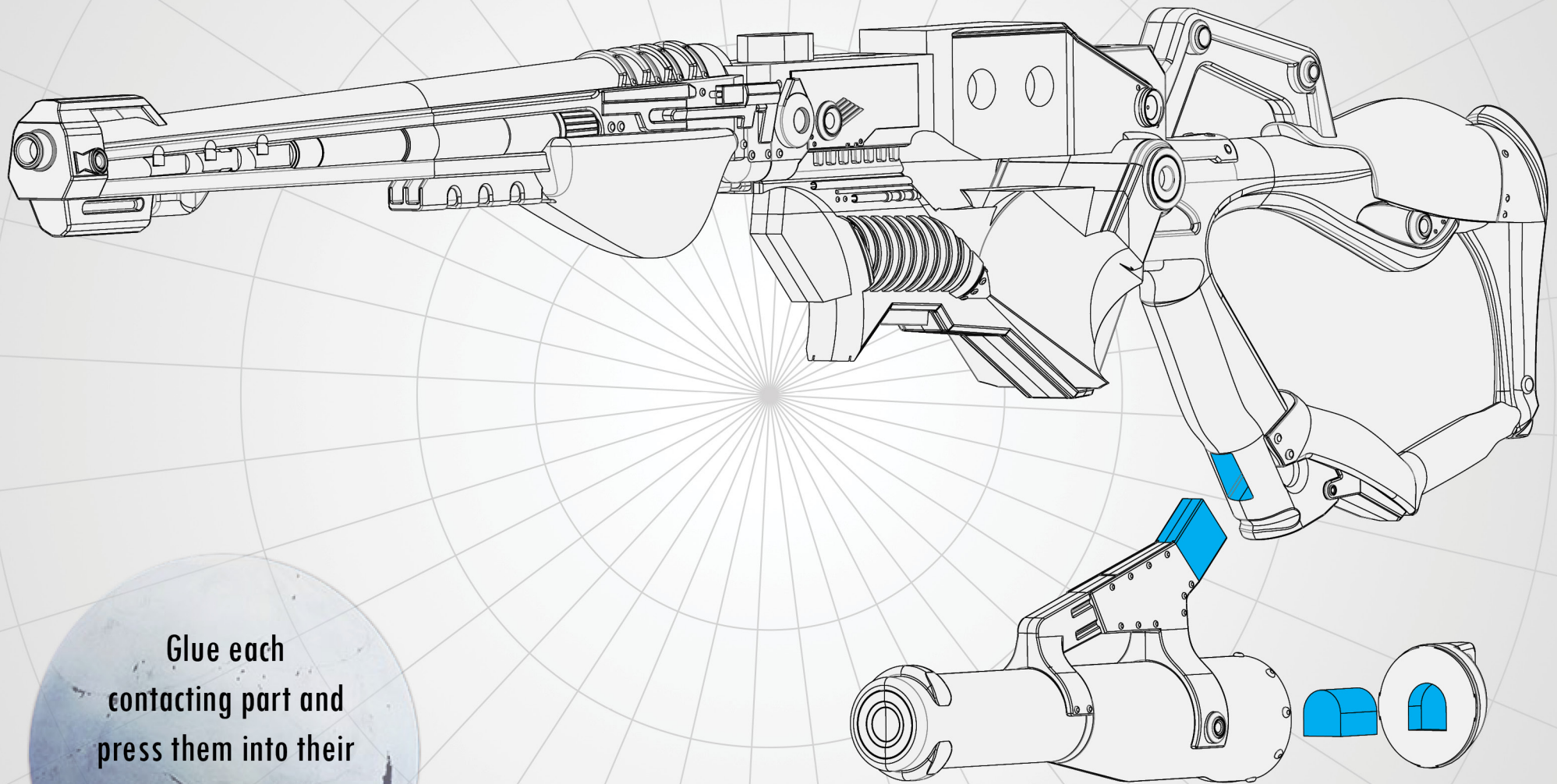
Glue each contacting part and press them into their corresponding slots.



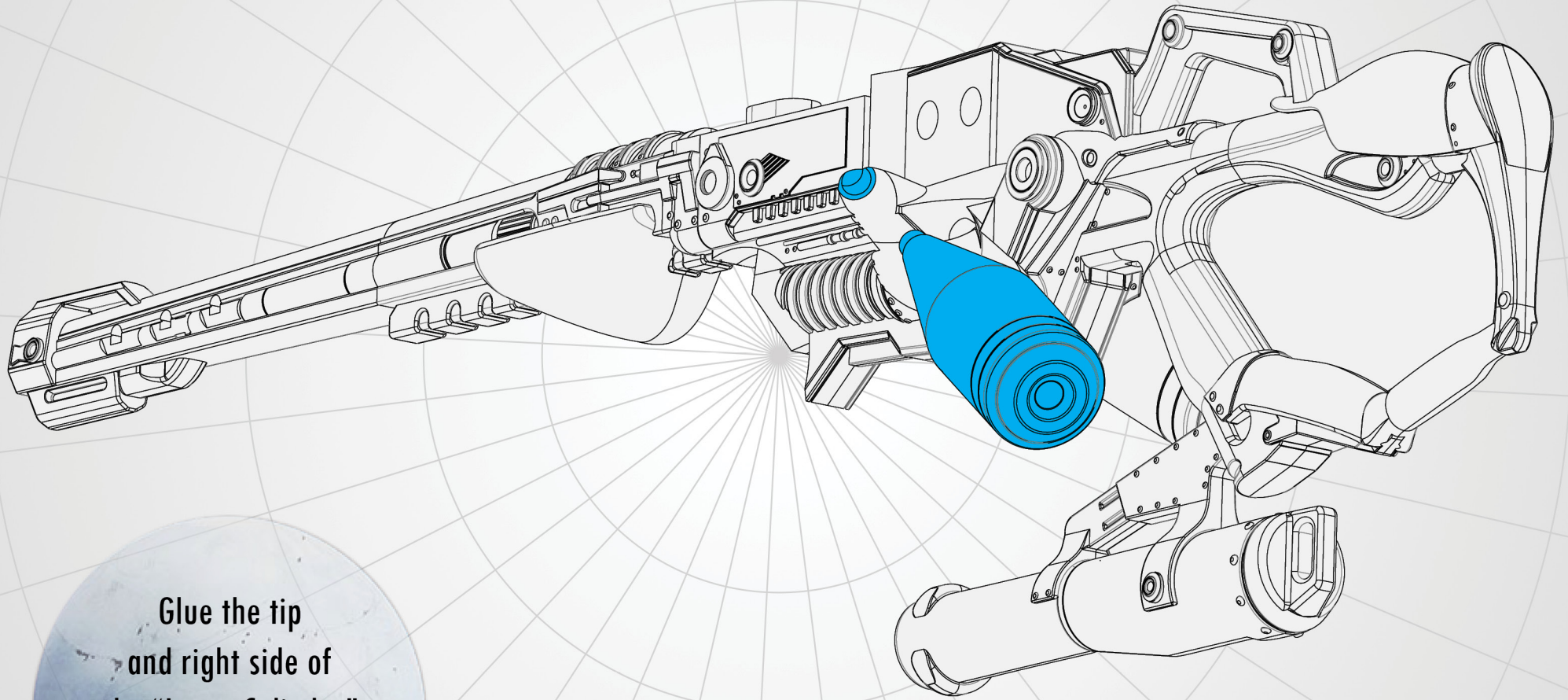
**Insert the handle, glue,
and hold it there for the
next step.**



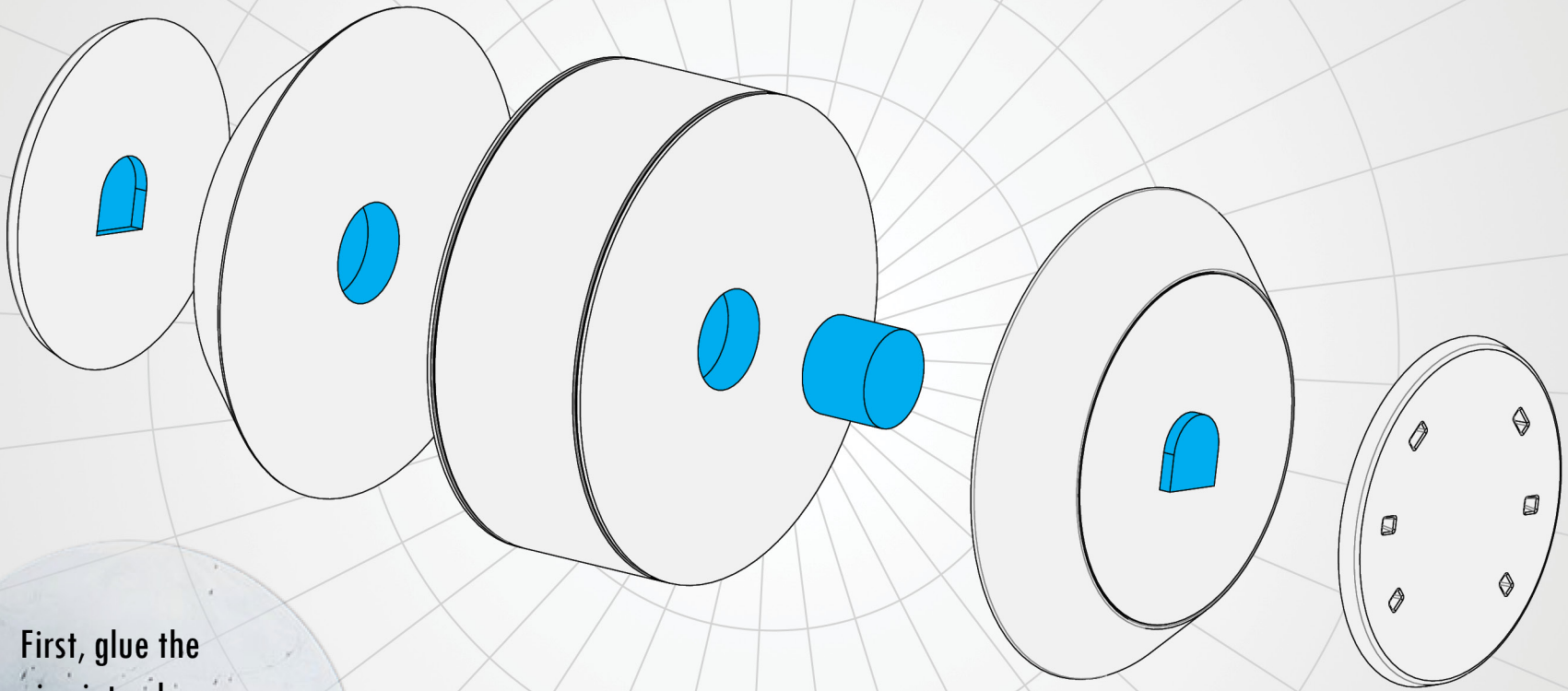
**Glue each
contacting part, and
while holding the handle
straight, press them into
their corresponding
slots.**



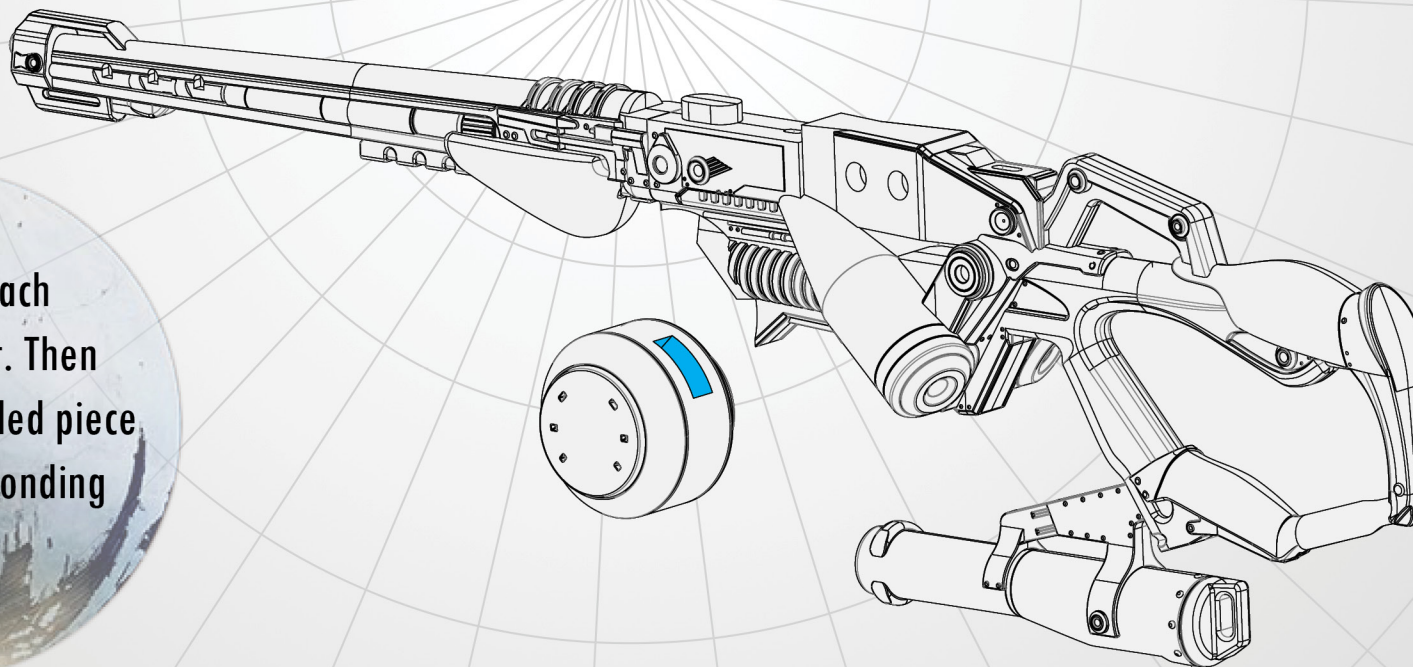
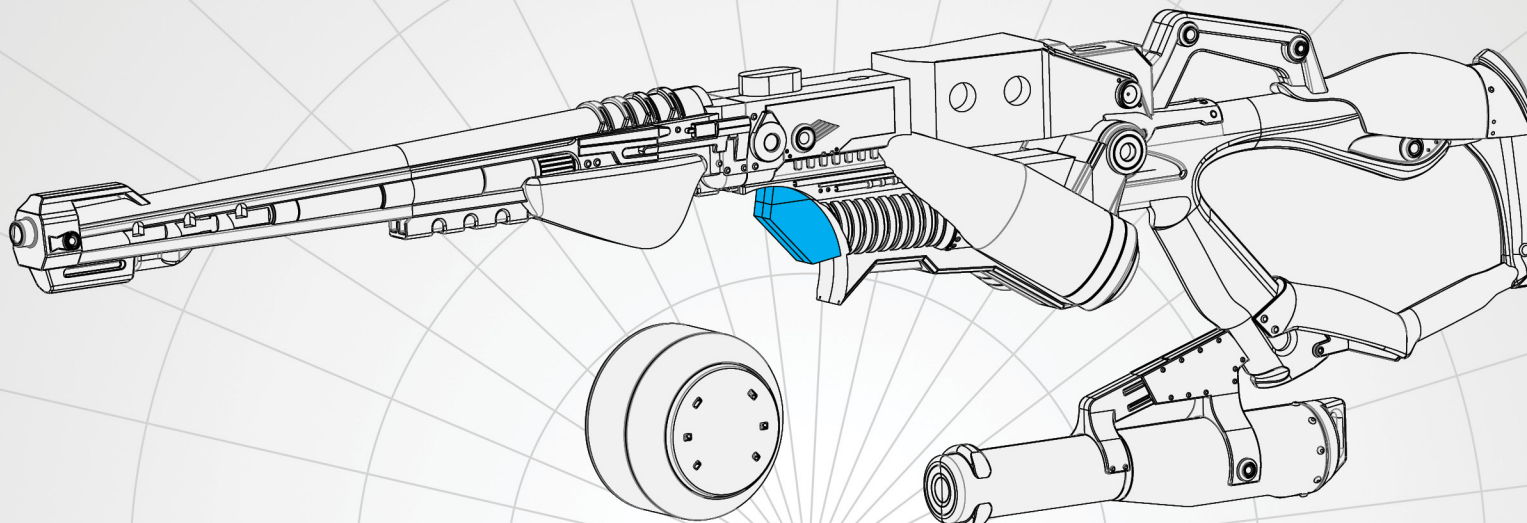
**Glue each
contacting part and
press them into their
corresponding slots.**



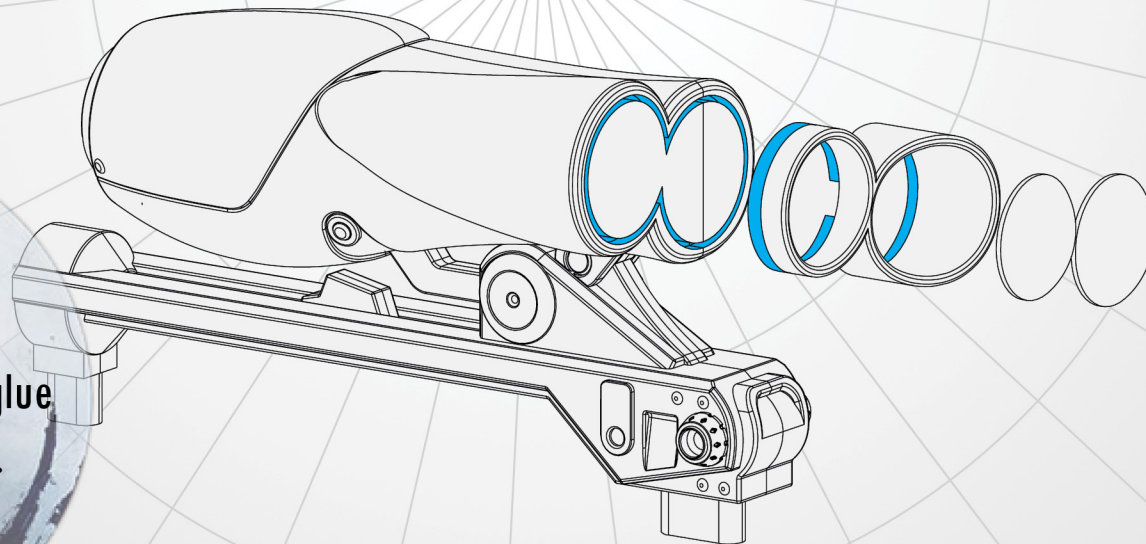
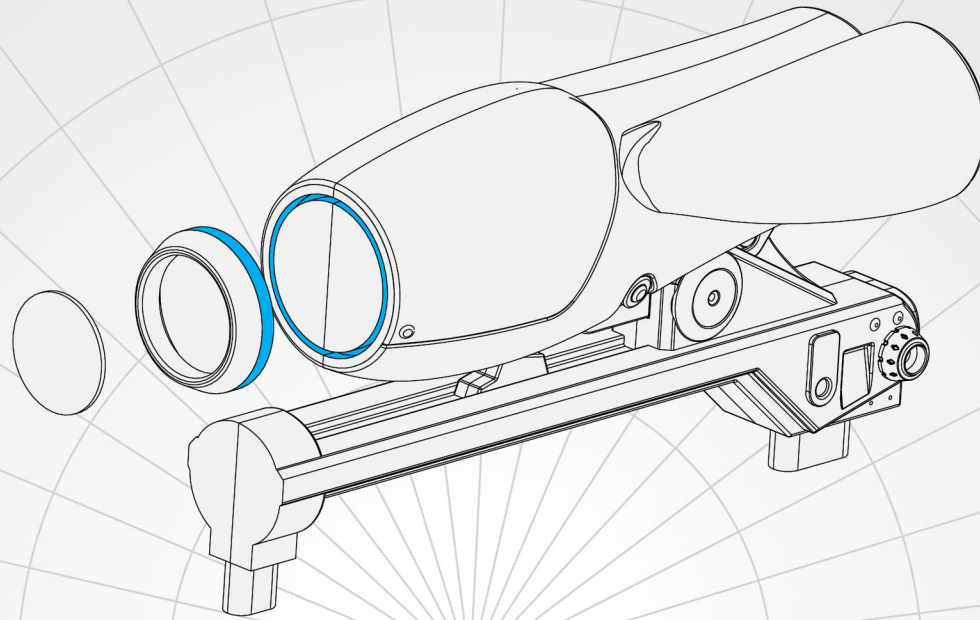
**Glue the tip
and right side of
the “Large Cylinder”
and insert into it’s
corresponding slot.**



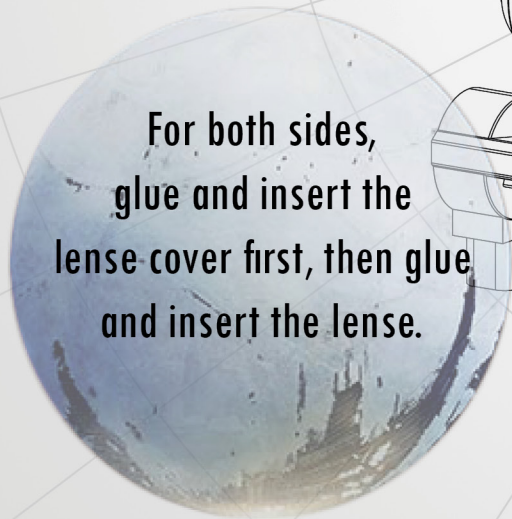
First, glue the two pins into place. Next, lineup the "Front Circle SILVER" and glue. Lastly, lineup the "Front Circle YELLOW" and glue.

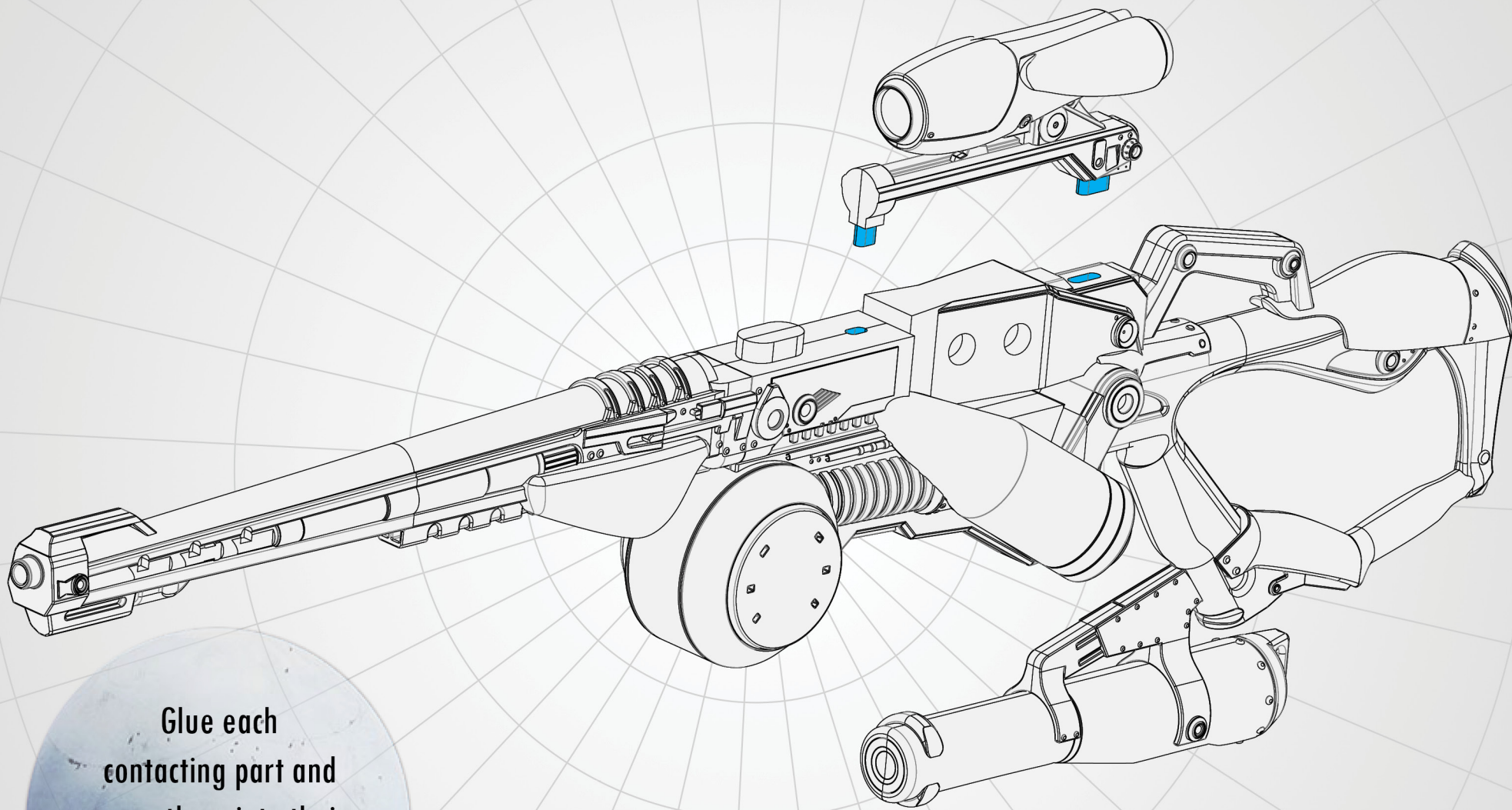


First, glue each contacting part. Then slide the assembled piece into it's corresponding slot.



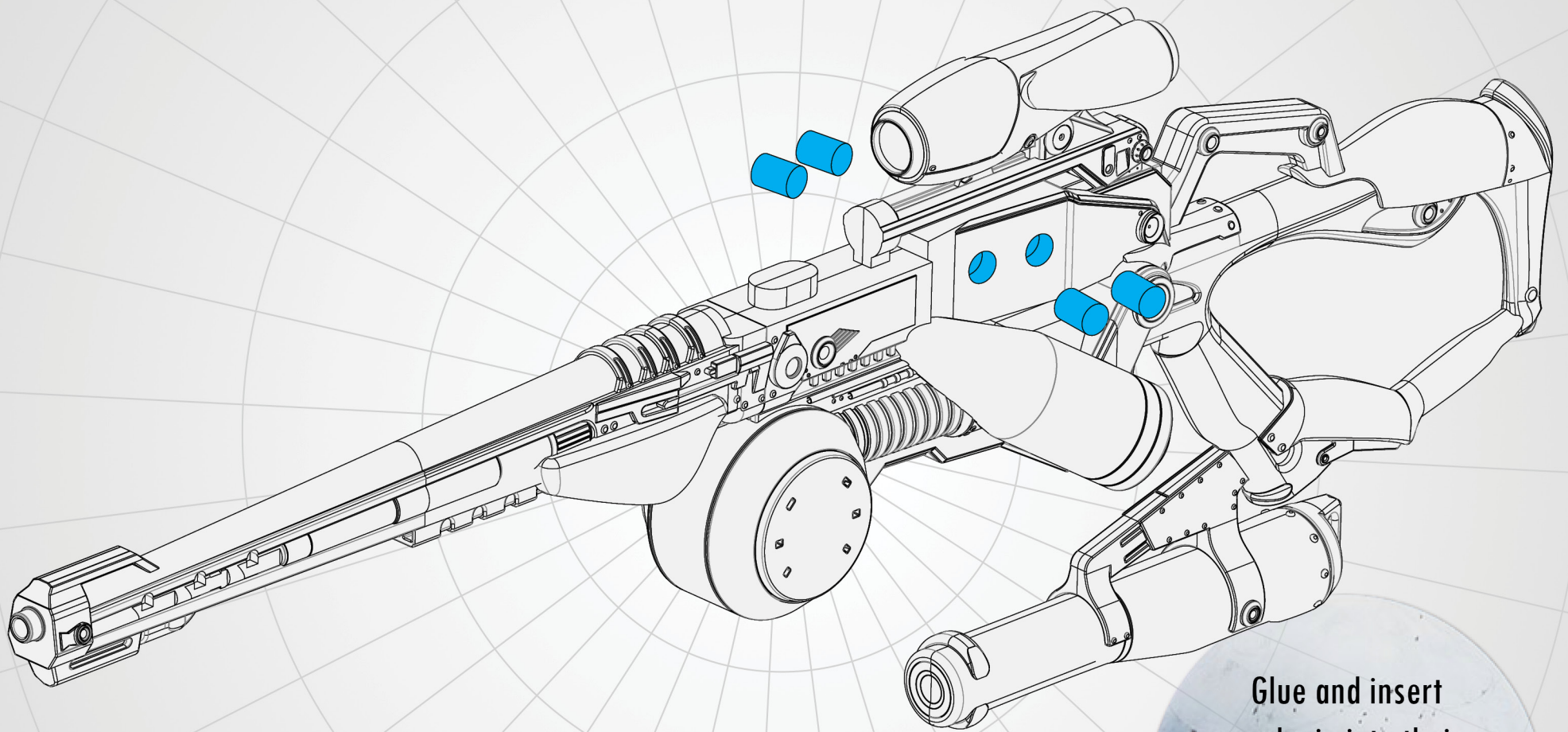
**For both sides,
glue and insert the
lense cover first, then glue
and insert the lense.**



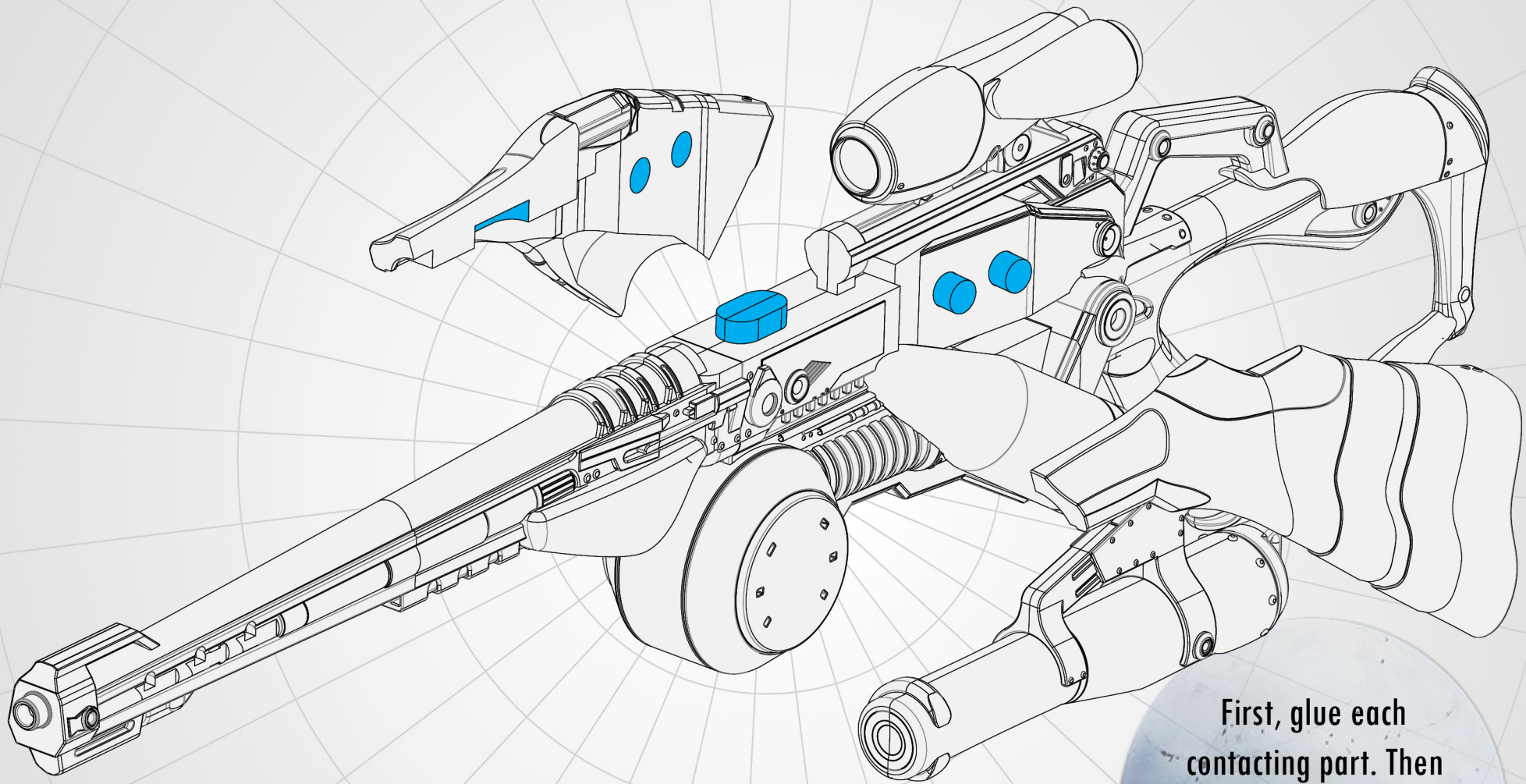


Glue each contacting part and press them into their corresponding slots.

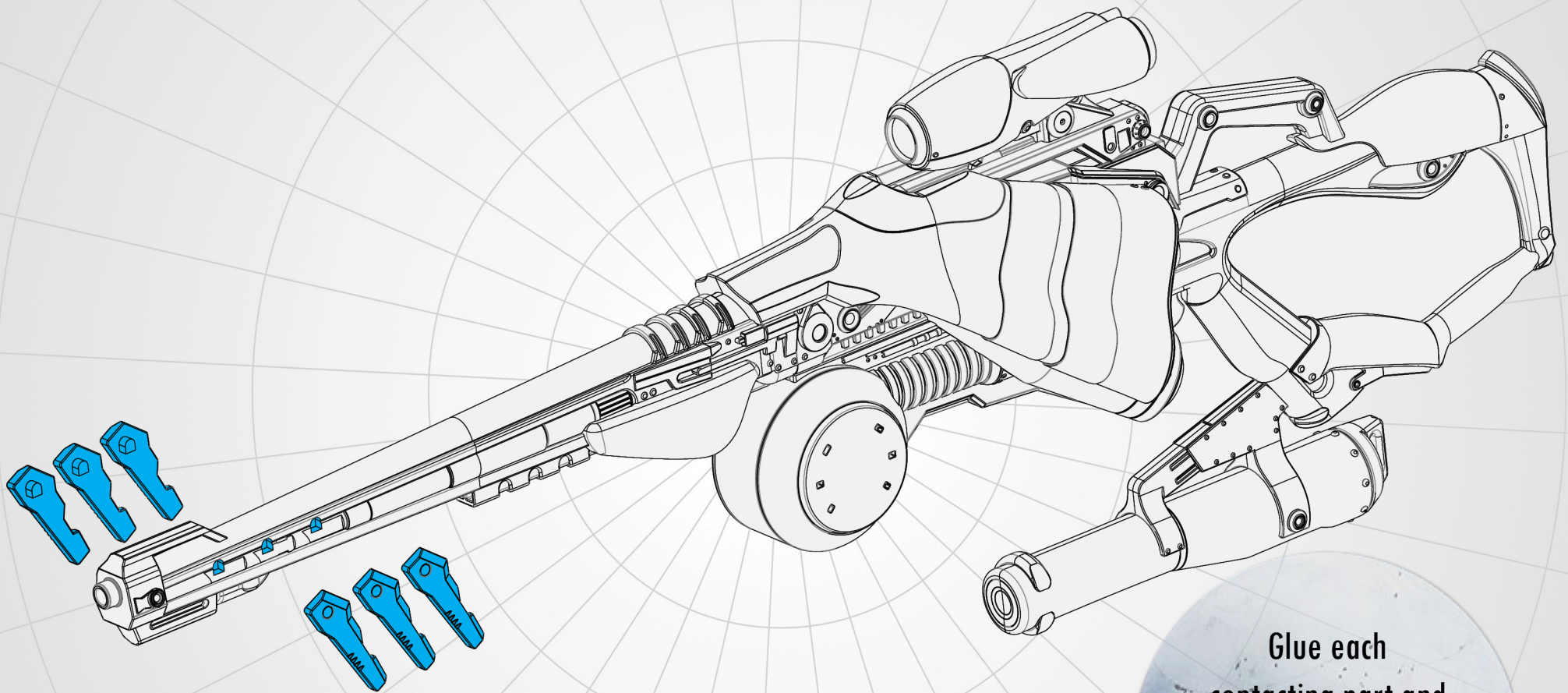




**Glue and insert
each pin into their
corresponding slots.**



First, glue each contacting part. Then line up each half with the corresponding pins.



**Glue each
contacting part and
press them into their
corresponding slots.**