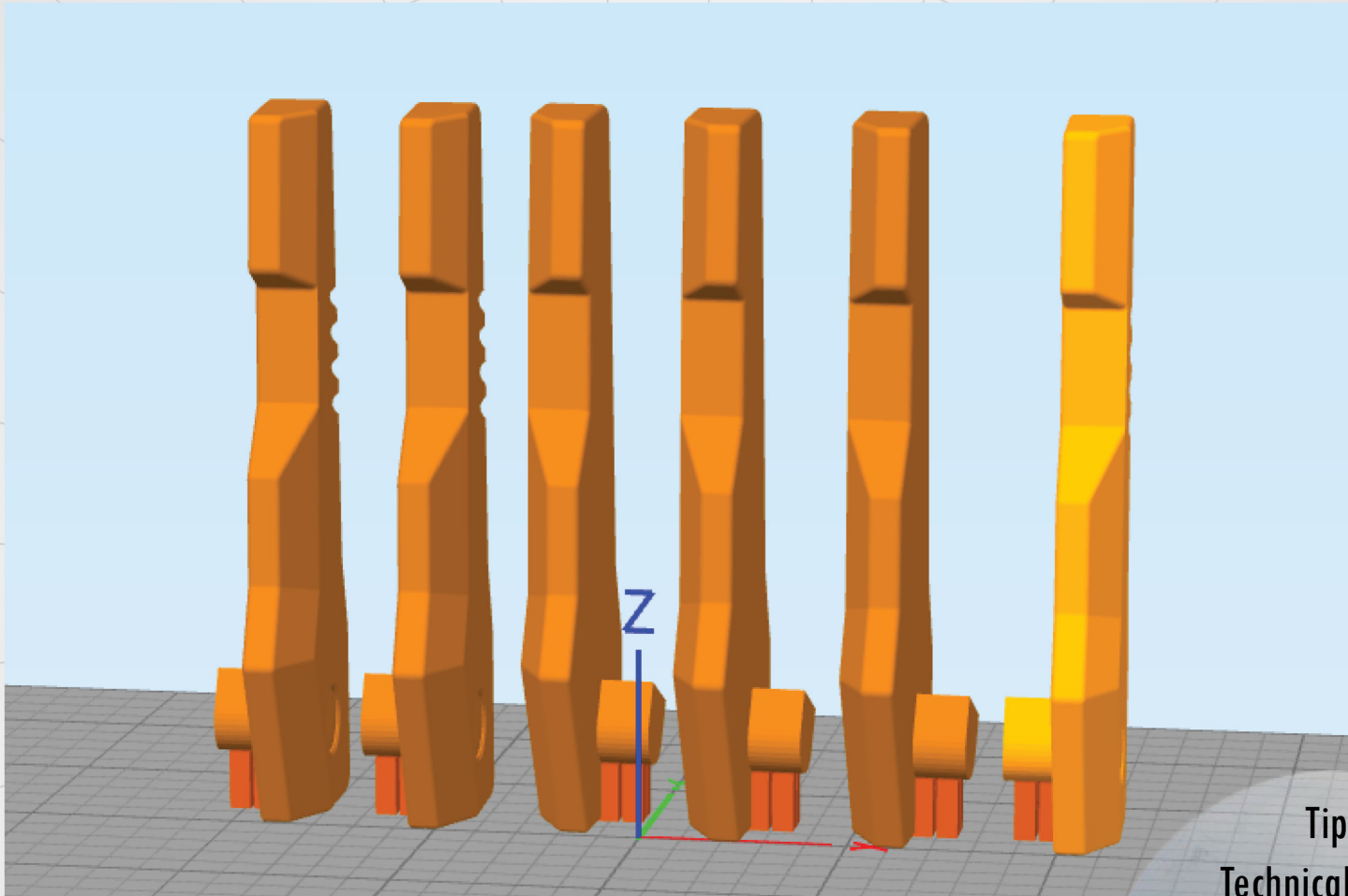
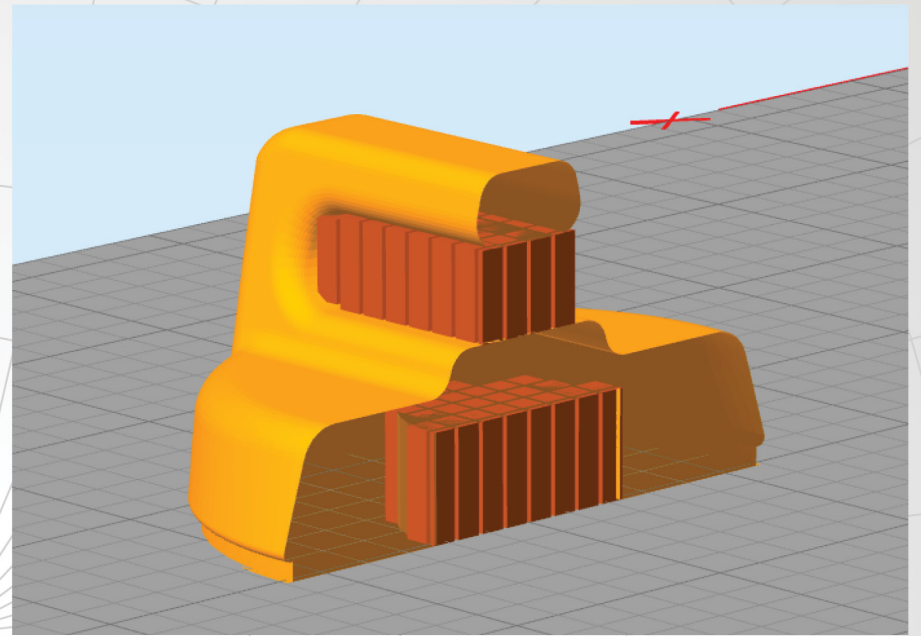
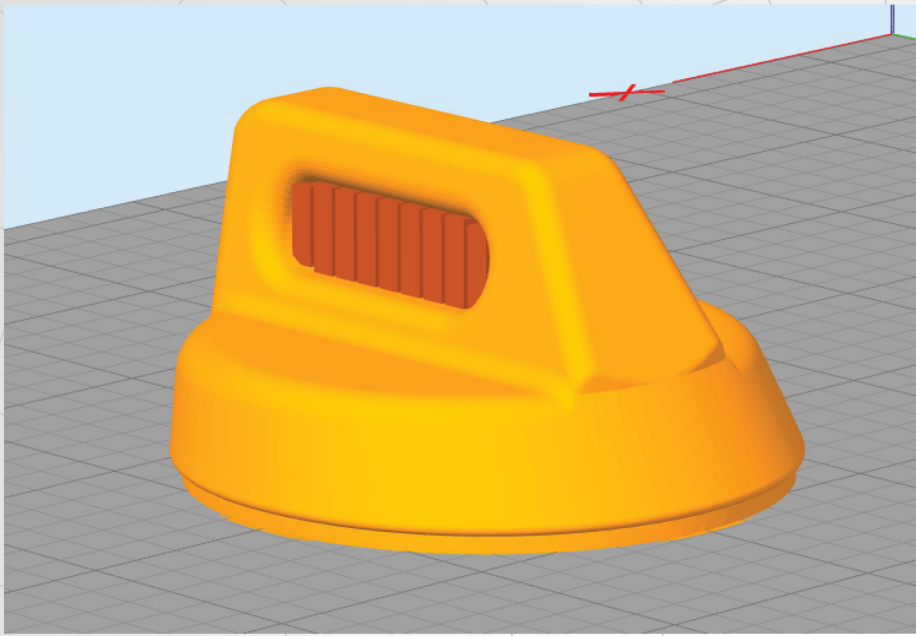


Queenbreaker's Bow - Add-on Wings1-1



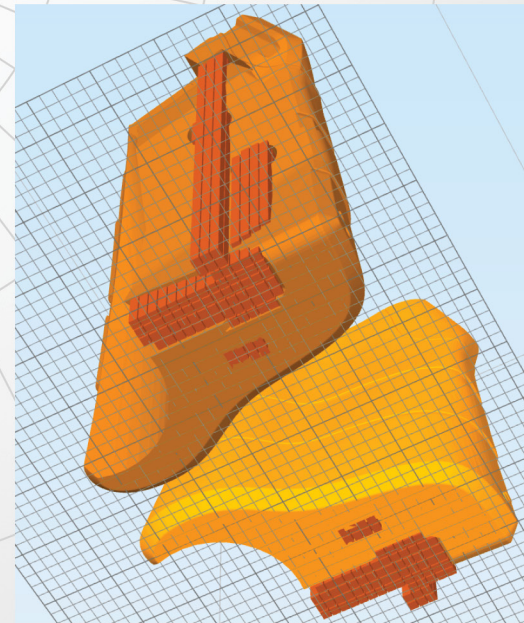
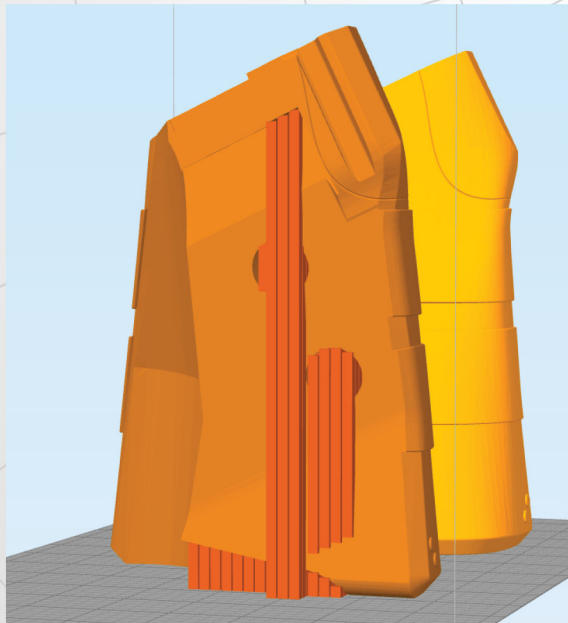
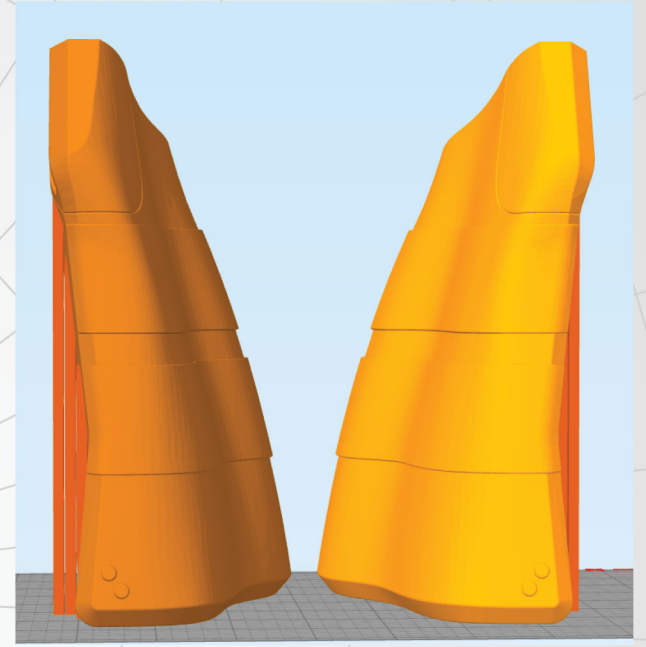
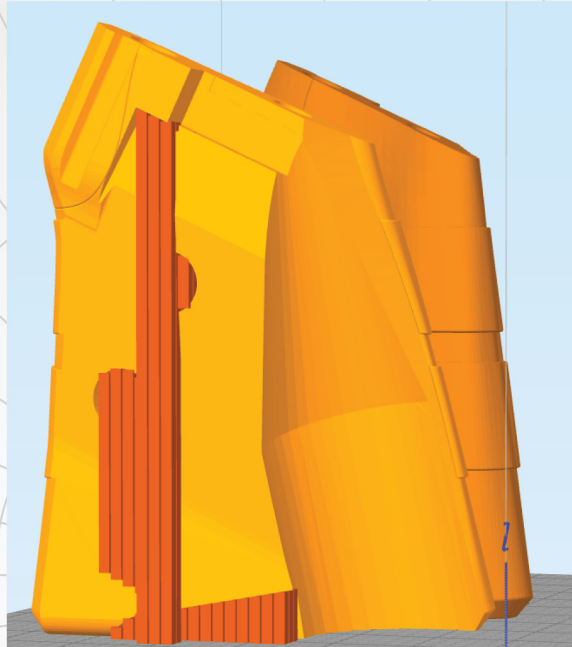
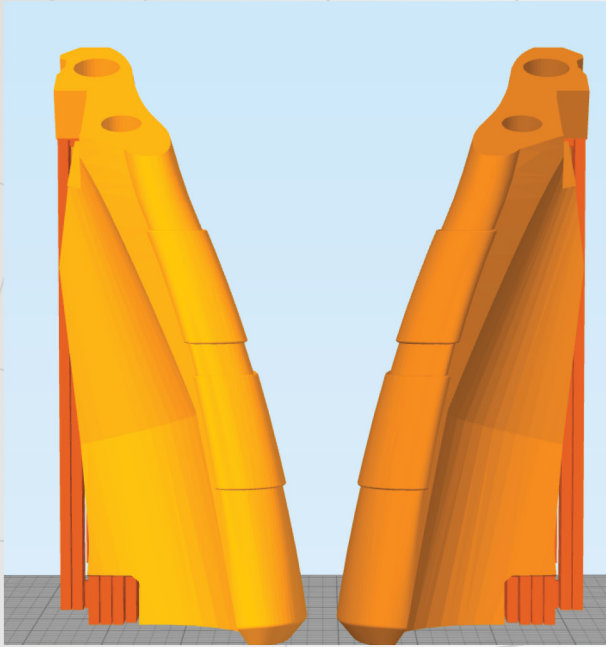
Tip:
Technically,
you *could* print this
flat, but you won't get the
highest quality print from
it.

Queenbreaker's Bow - Ammo Back-1

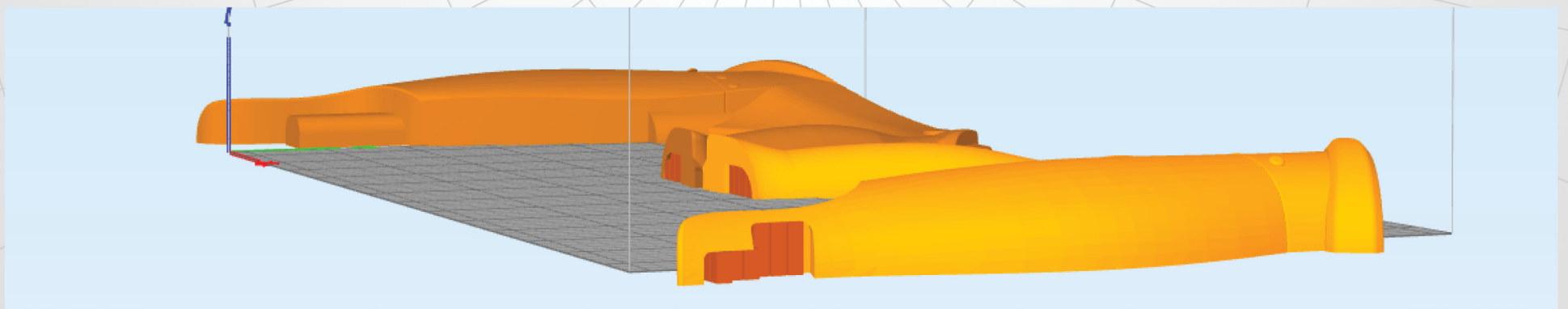
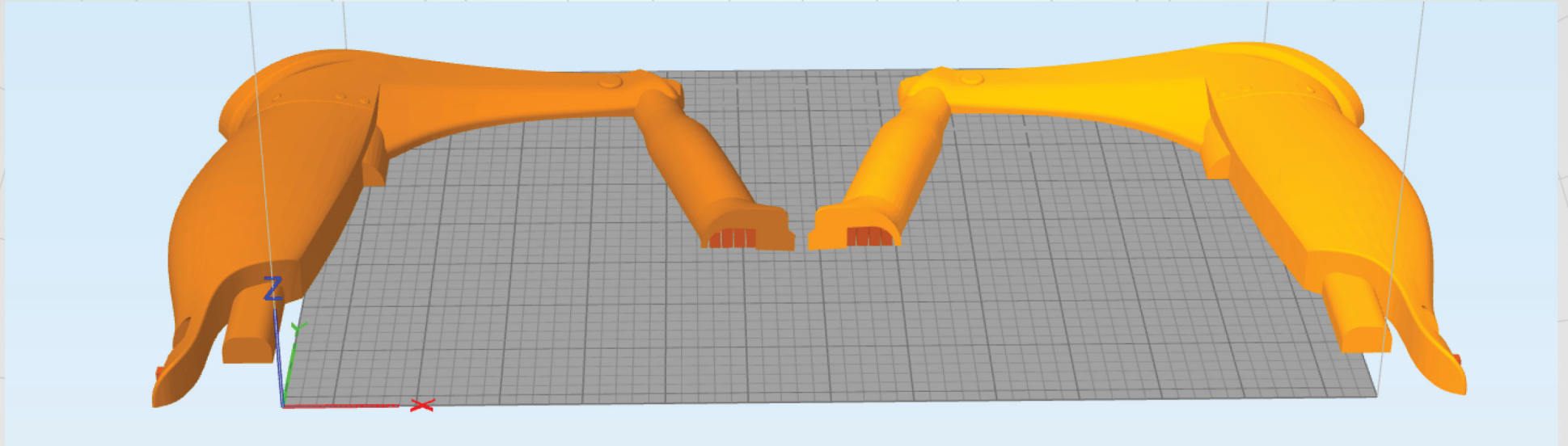


Tip:
Most printers
can't handle bridging
that well, so placing
supports within the object
will prevent drooping.

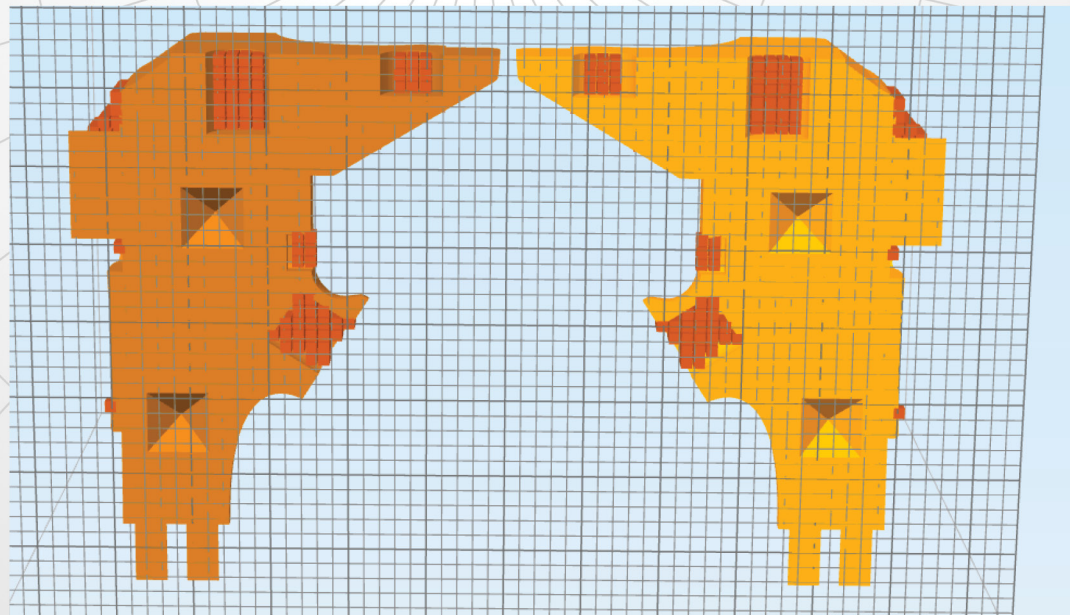
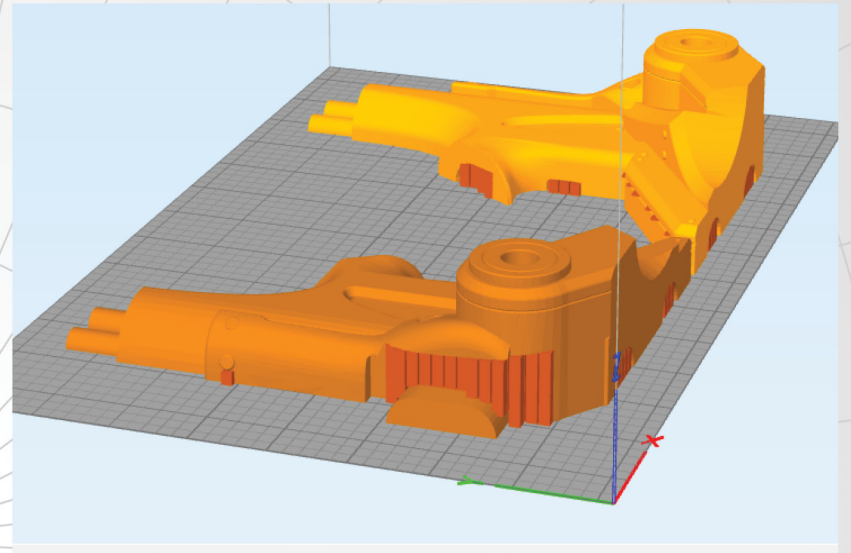
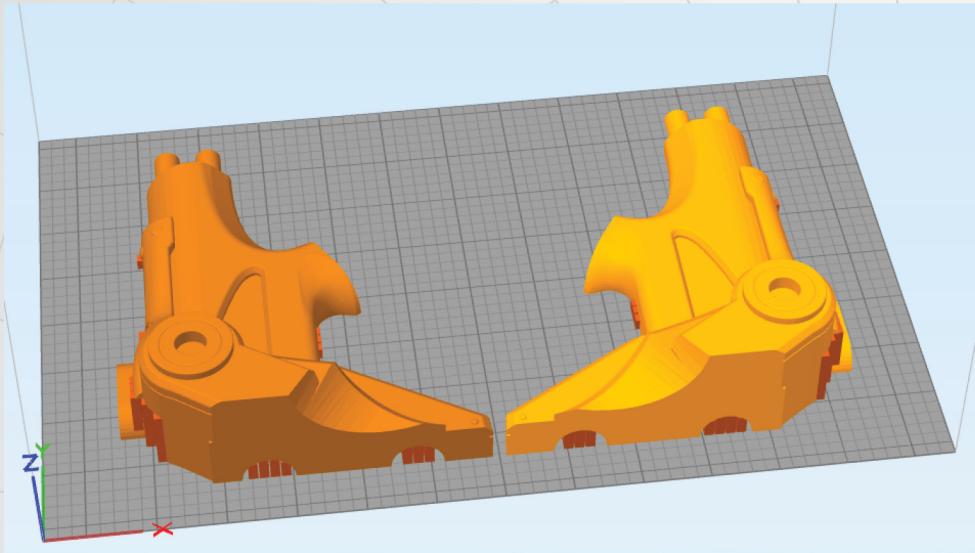
Queenbreaker's Bow - Back MAIN Body



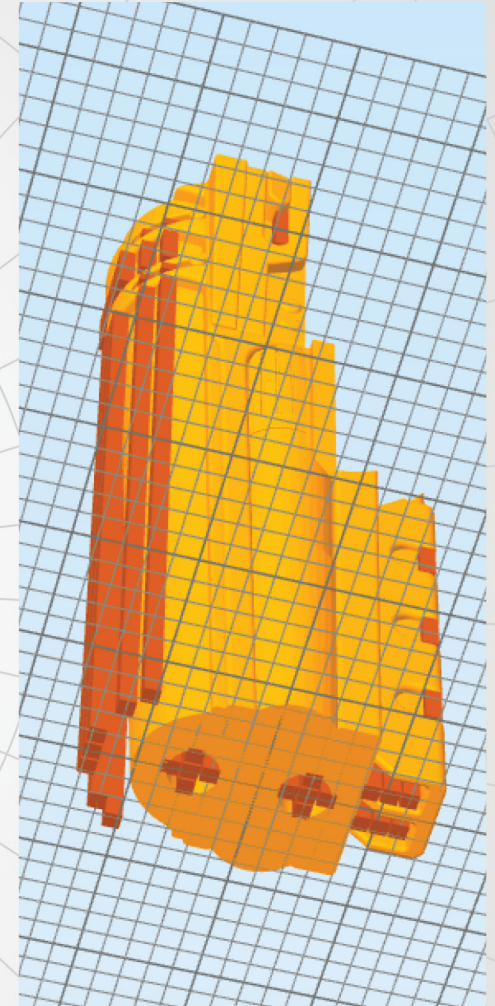
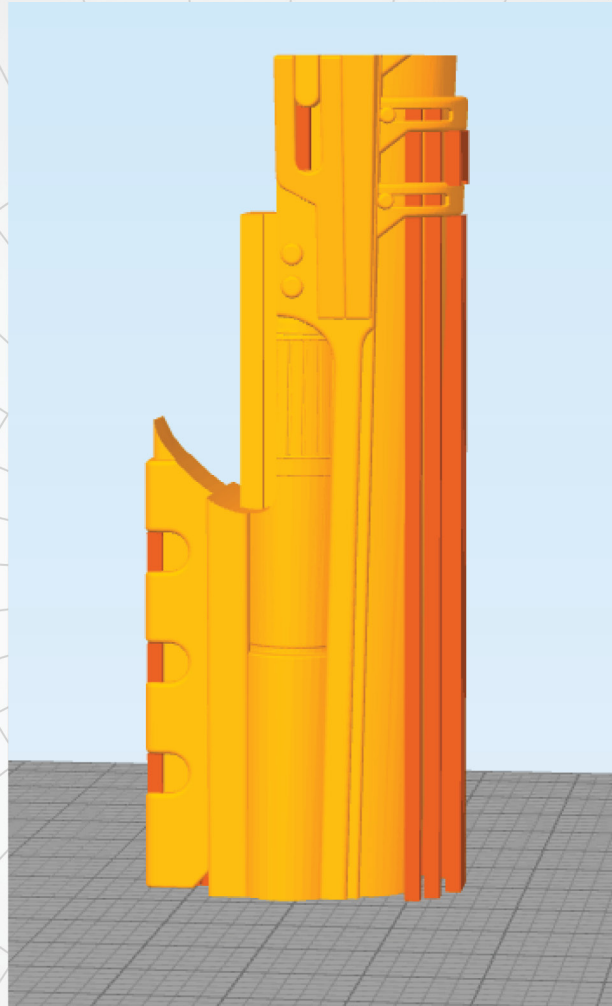
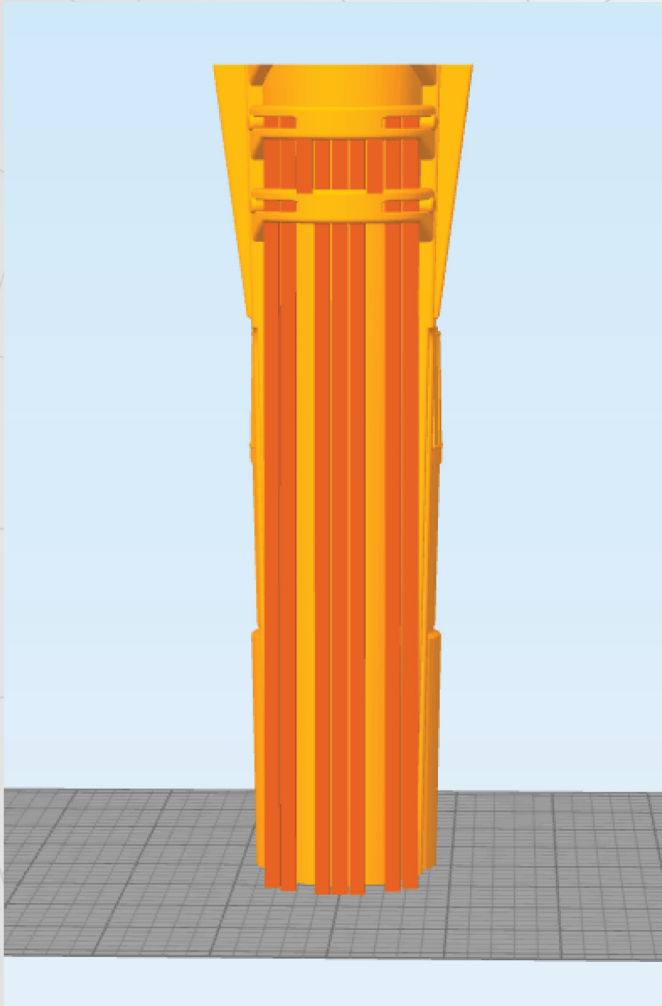
Queenbreaker's Bow - Back Stock



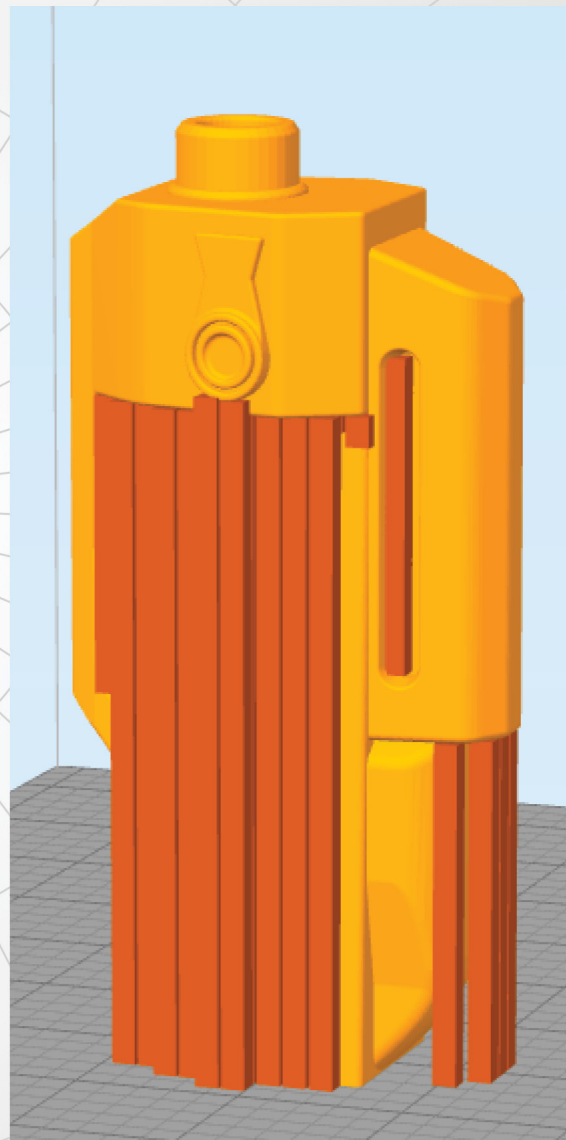
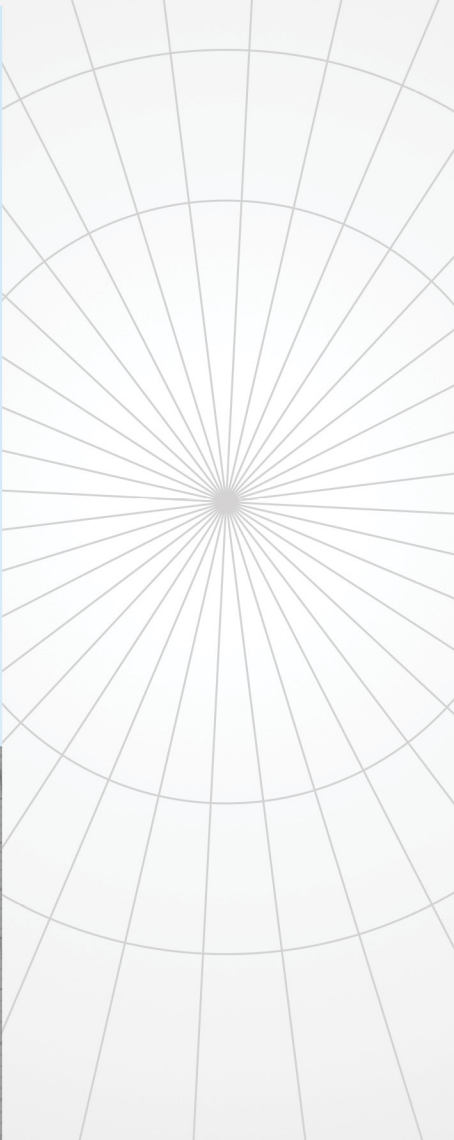
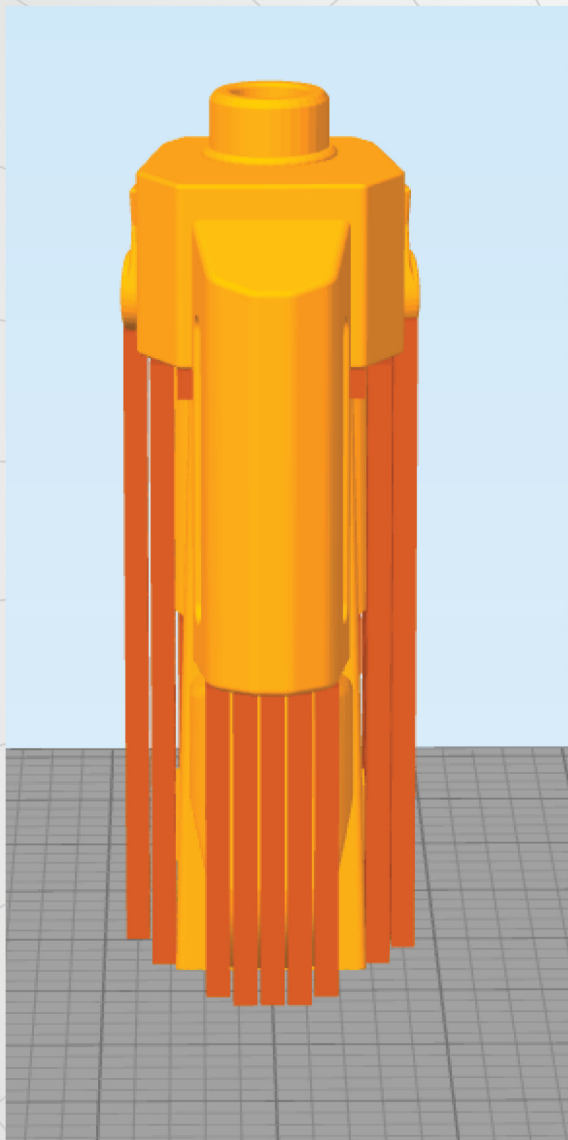
Queenbreaker's Bow - Back Stock Front



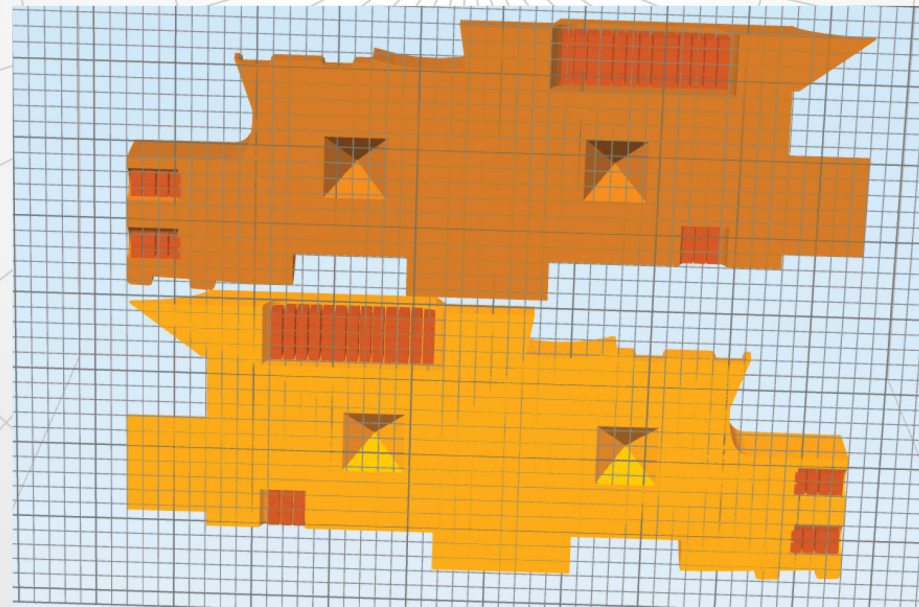
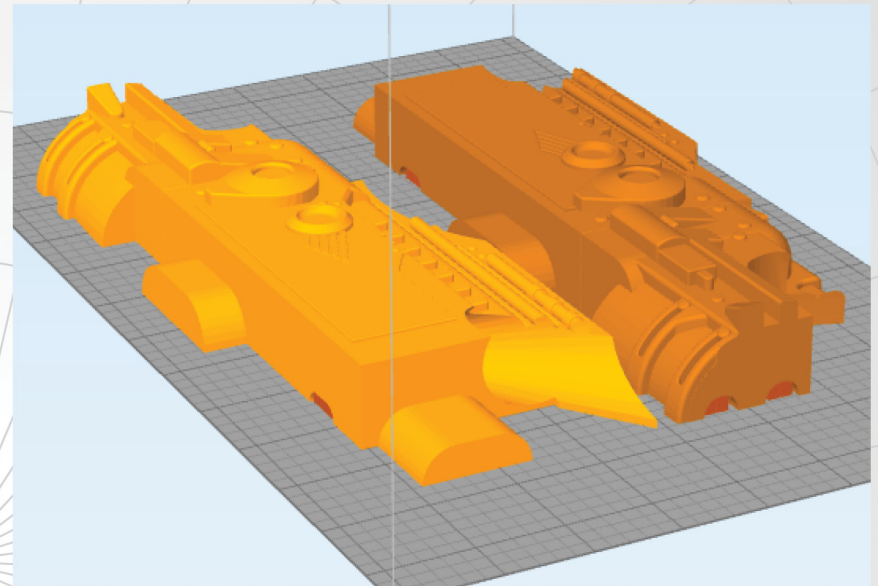
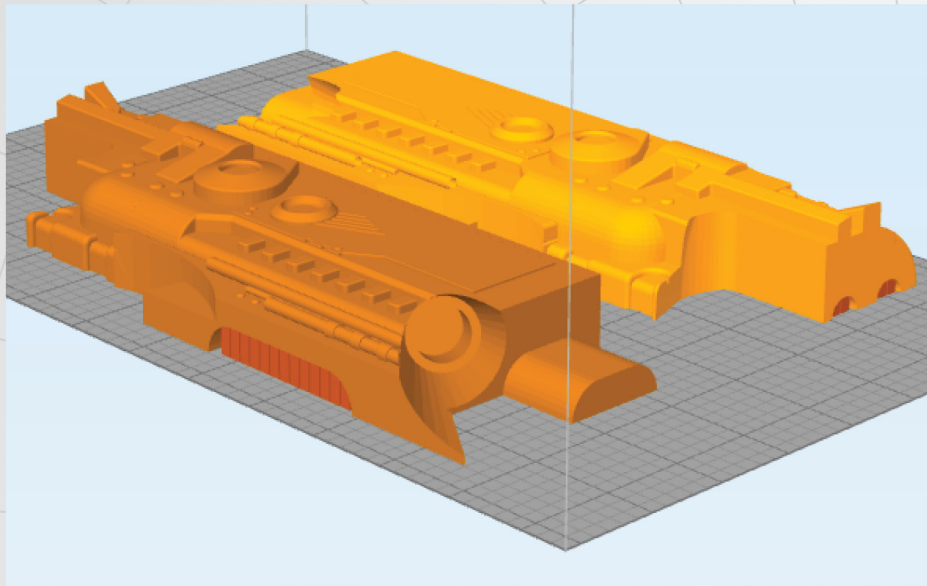
Queenbreaker's Bow - Barrel2



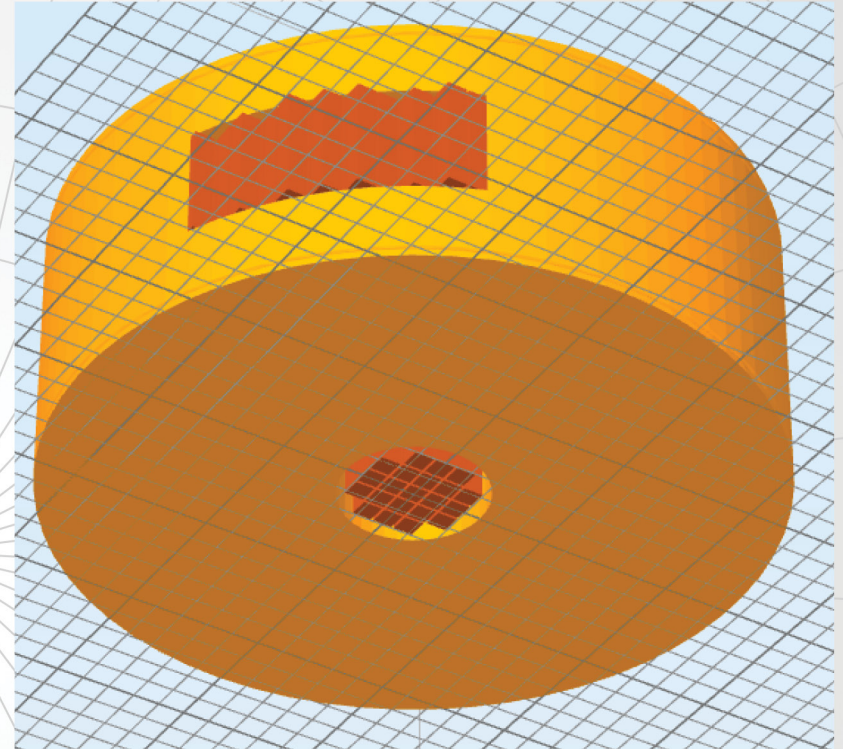
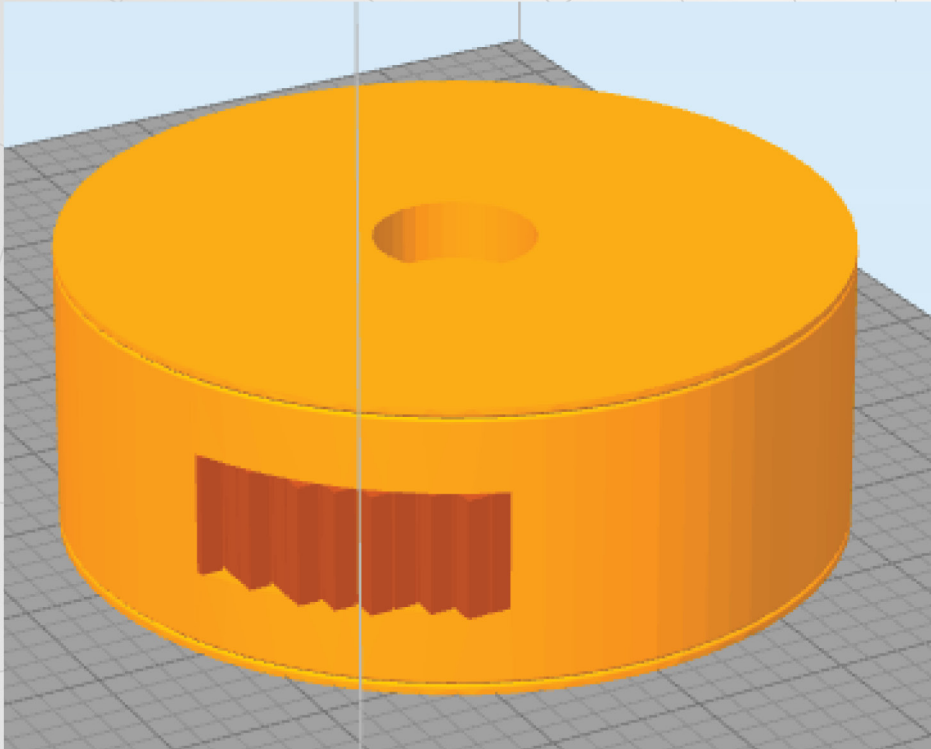
Queenbreaker's Bow - Front Barrel-1



Queenbreaker's Bow - Front Block

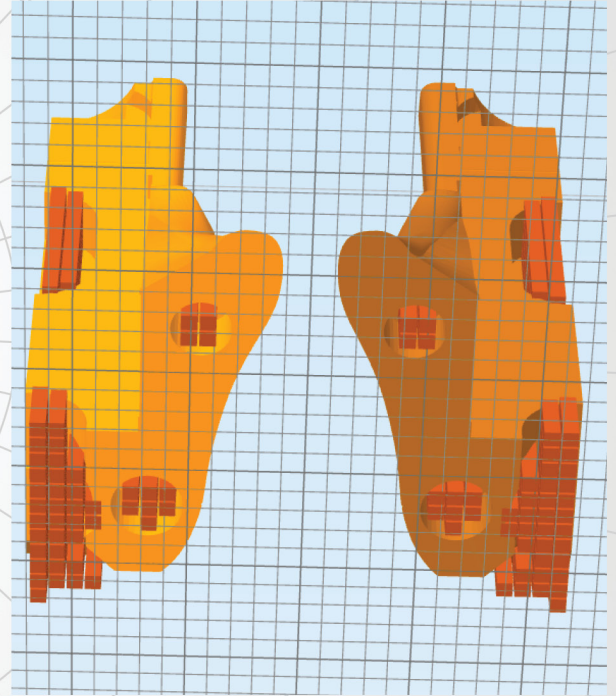
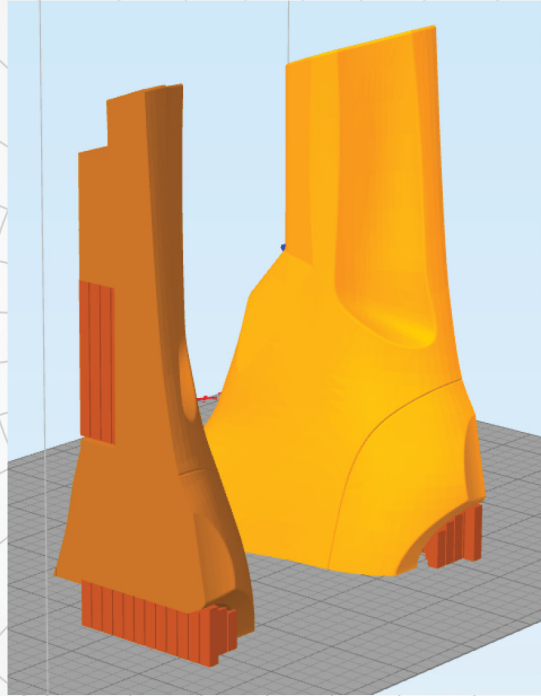
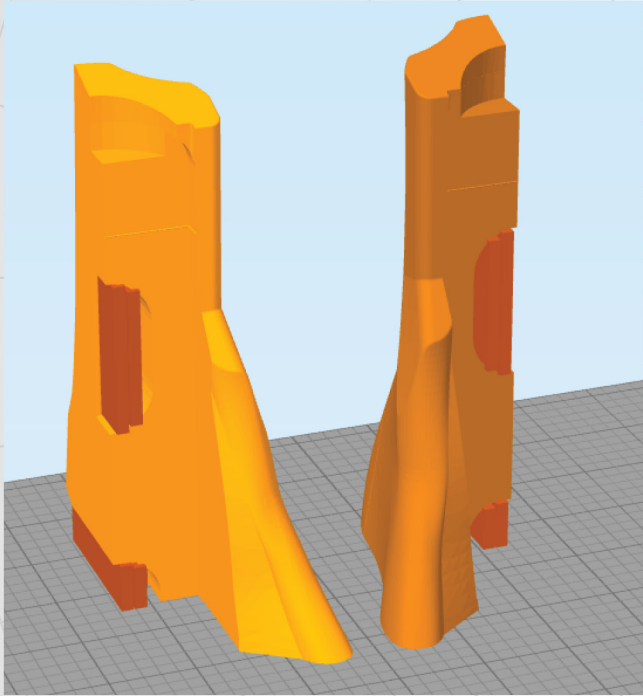


Queenbreaker's Bow - Front Circle GREY

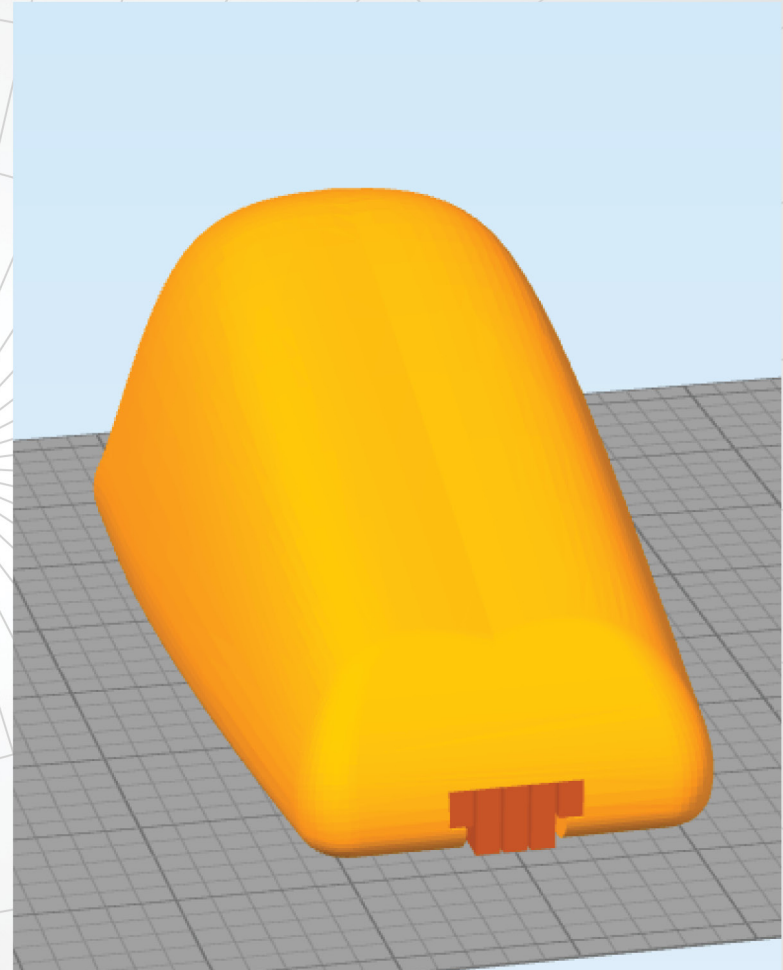
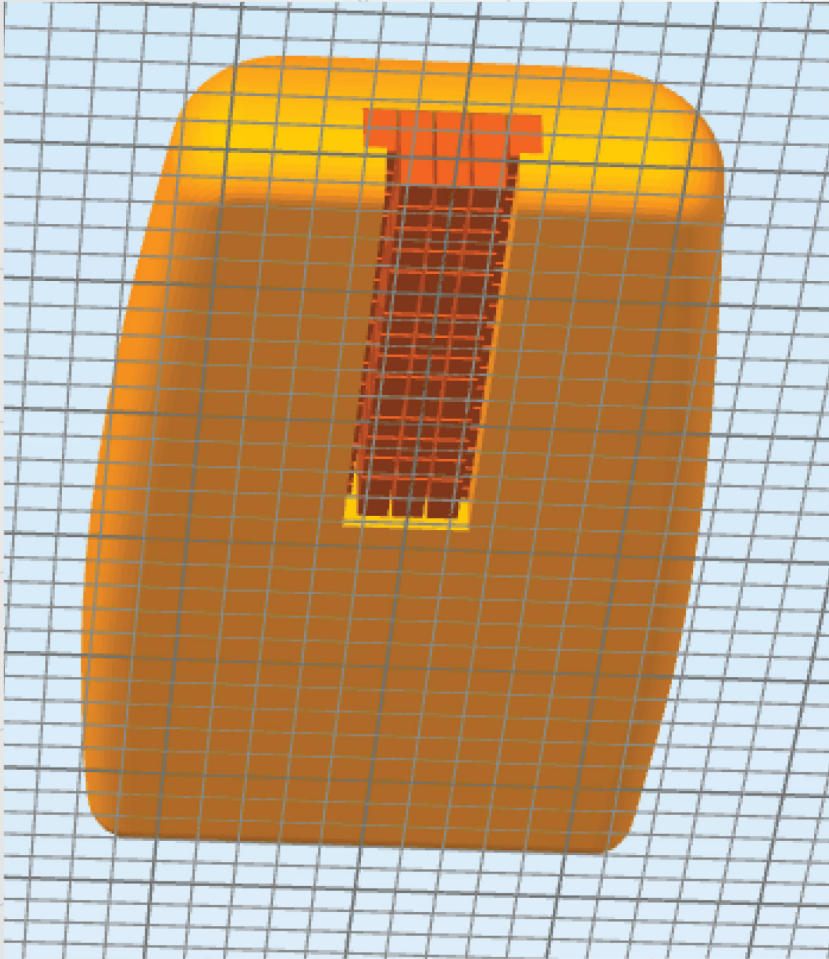


Tip:
If your printer handles bridging well, you may not need support material for these areas. This goes for many of the parts.

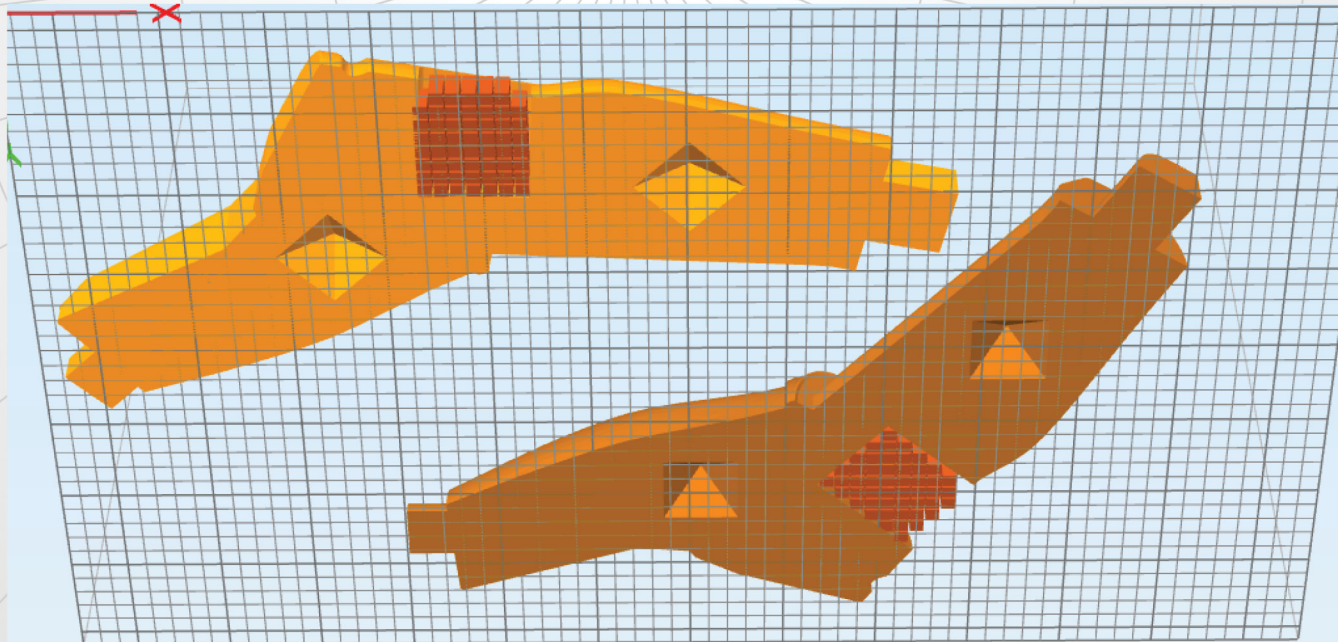
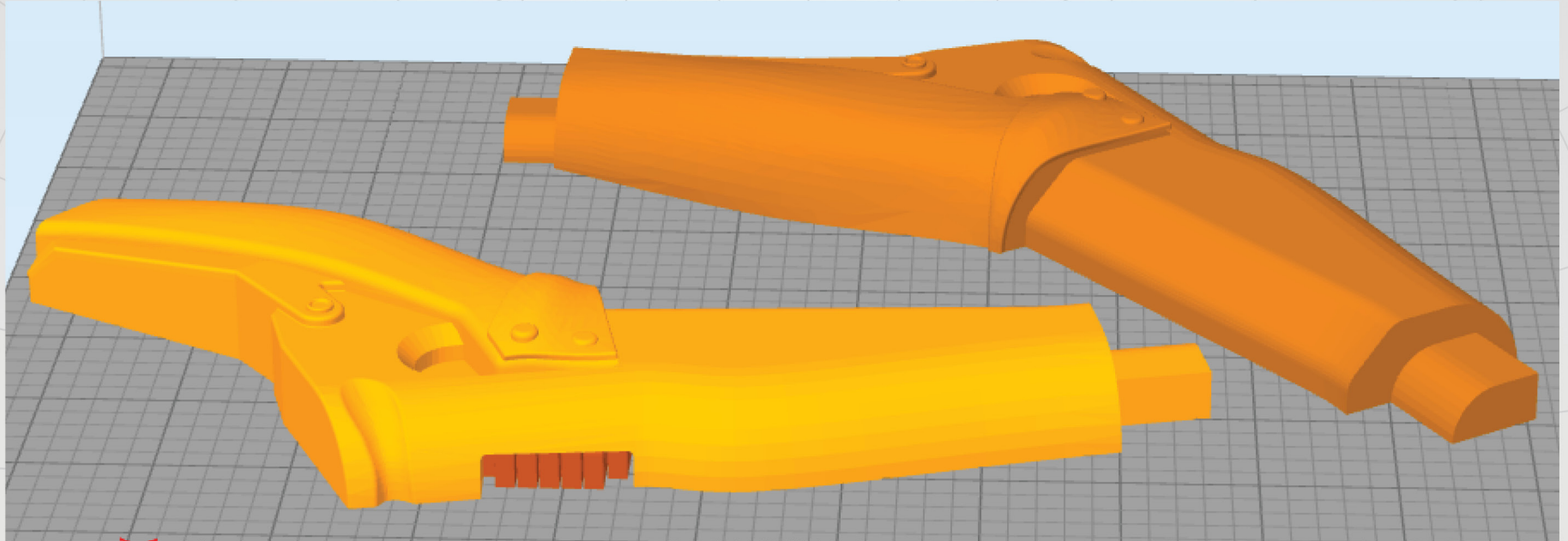
Queenbreaker's Bow - Front MAIN Body



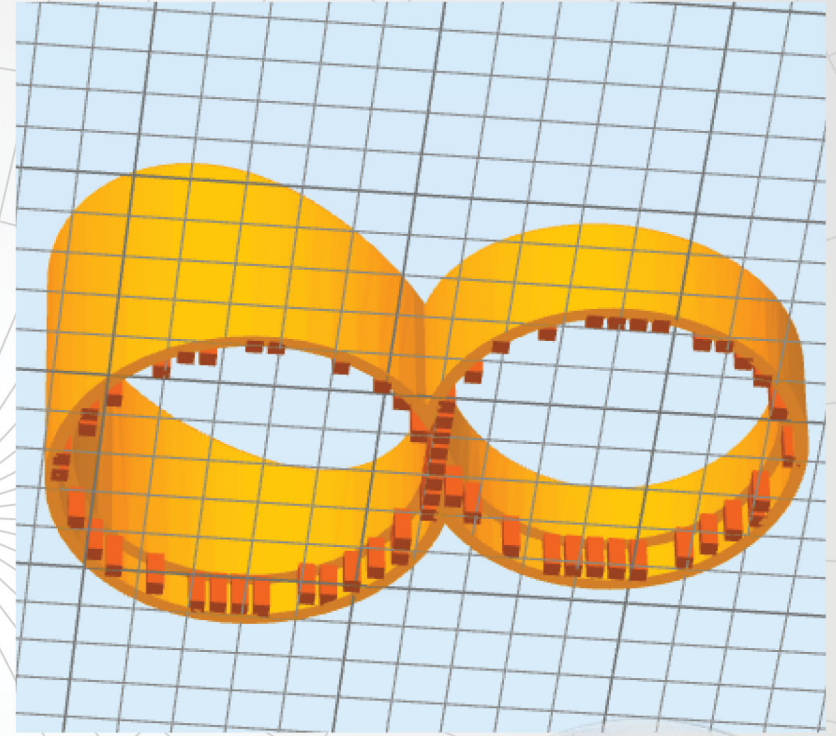
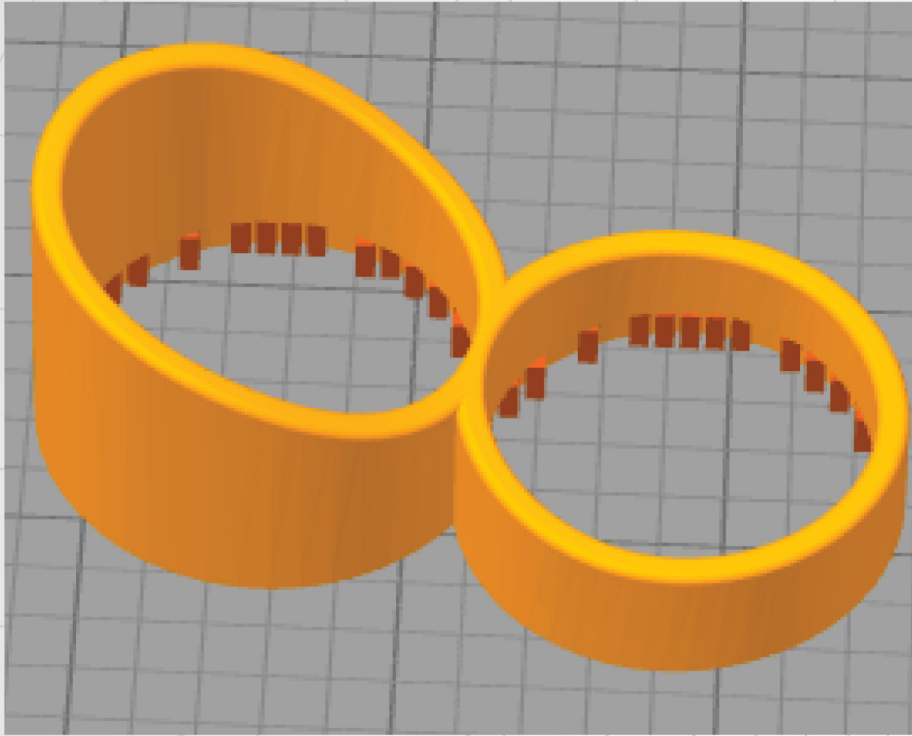
Queenbreaker's Bow - Grip-1



Queenbreaker's Bow - Handle Grip

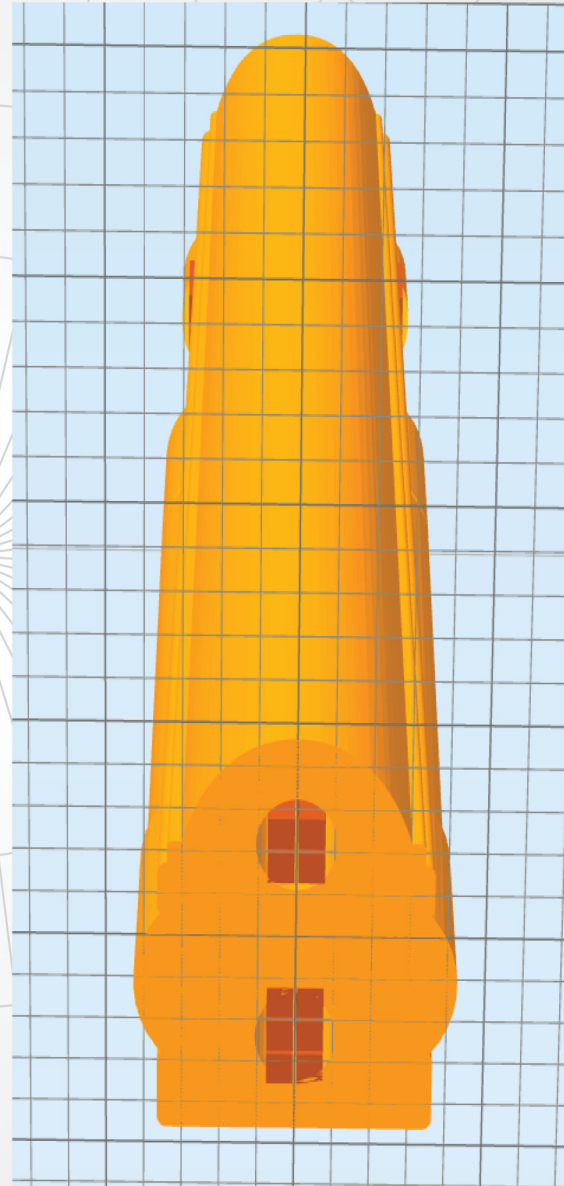
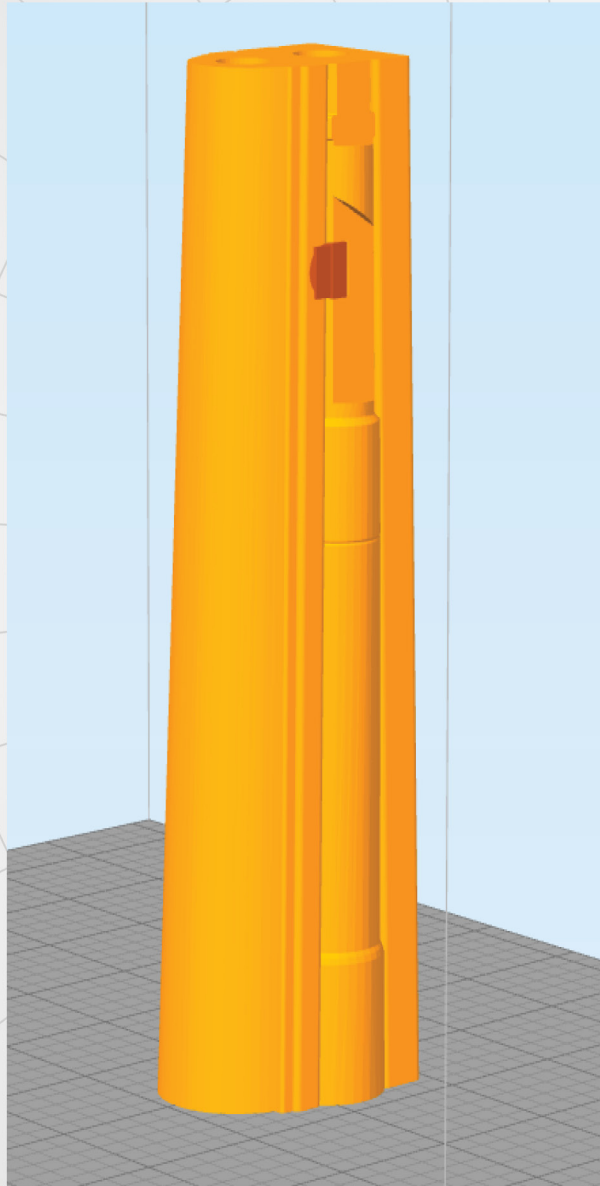


Queenbreaker's Bow - Lens Cover

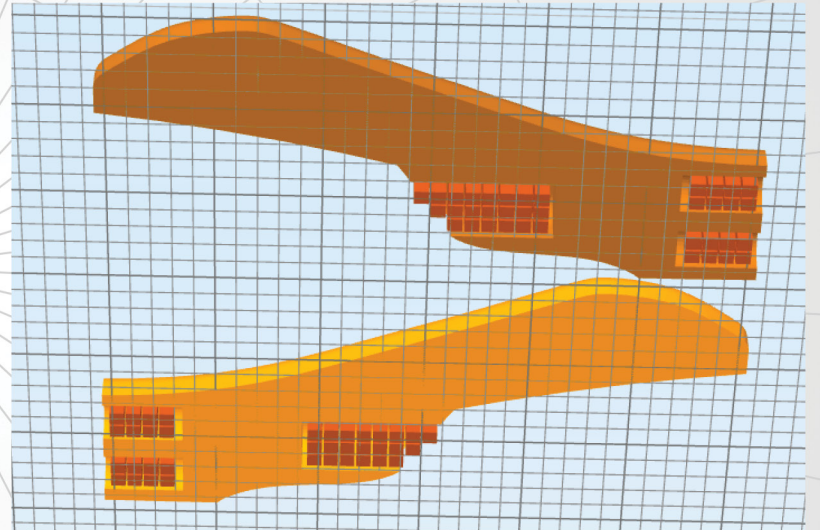
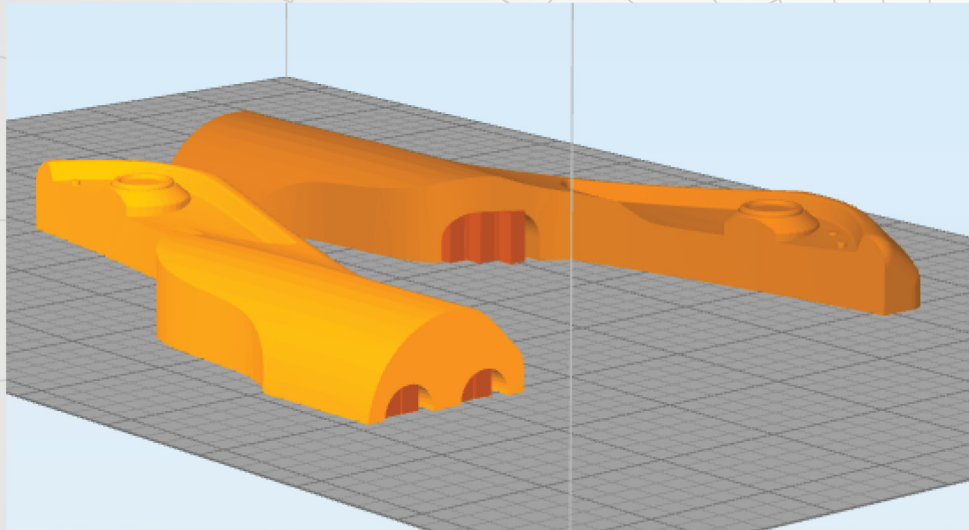


Tip:
If your printer
is tuned well enough,
you *may* not need supports
here, but it's best to have
them as a precaution.

Queenbreaker's Bow - Middle Barrel-1



Queenbreaker's Bow - Middle Barrel-1



Queenbreaker's Bow - Scope Holding Body-1

