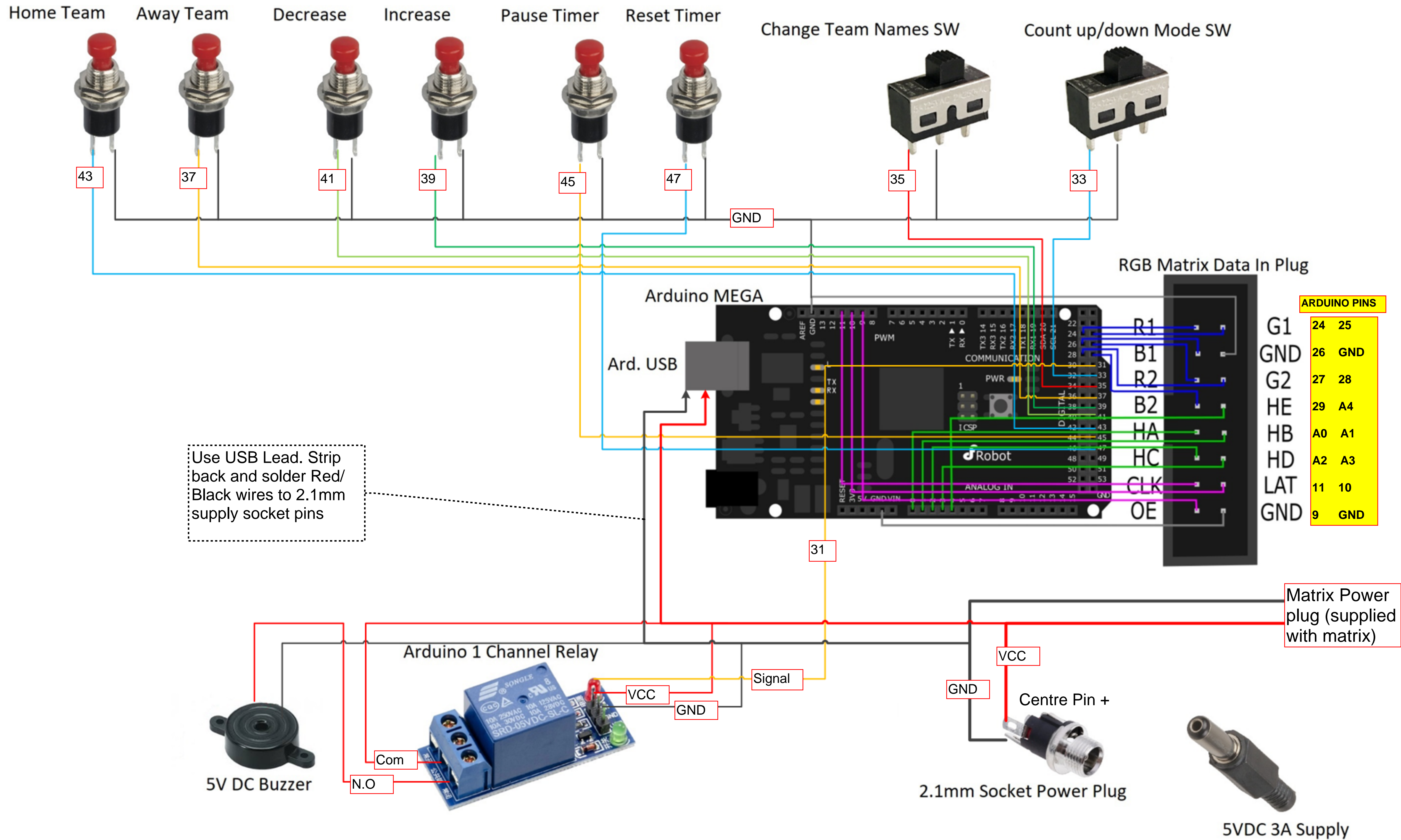


64x32 RGB LED Matrix Scoreboard by Matt M





64x32 RGB LED Matrix Scoreboard by Matt M



Count Down / Count Up Mode Selection:

Before Switching On Scoreboard, switch Count up/down SW to desired Mode. Mode cant be changed once Scoreboard is On. To change again, turn Off scoreboard and switch modes.

Increase/Decrease Time Period and Save:

Pause timer. Then press Reset button and hold for > 5 seconds. On release buzzer will beep twice. From here use Increase/Decrease button to adjust to desired time. Press Reset button once more (buzzer will beep again) to Set and Save time.

Start / Pause Counter:

Press Pause Timer button. On Pause, scores and time will save. If unit is turned Off at this time, these will be retrieved when next turned On. If countdown completes then no progressive time will be saved.

Change Team Names (max. 5 letters):

Switch Change Team Names switch to ON. Then press Home Team or Away Team. You are now ready to use Increase or Decrease to scroll through the alphabet/numbers/characters with the selected teams first letter.

Increase/Decrease Score:

Press Away Team or Home Team button and hold, then press Increase or Decrease button to adjust team score.

To save and move to next letter, press Pause Timer button (next letter will briefly flash). Use Increase or Decrease to find letter. Press Pause again. Do same for all letters.

Short Reset Timer (quick press less than 1.5 seconds):

Press Reset Timer button. Timer must be Paused before reset will occur. **Scores will not delete if Short Reset.** If scores require reset, perform Long Reset Timer.

When name change complete, press Reset Timer button (buzzer will beep).

Long Reset Timer (press & hold > 1.5 sec & < 5 sec):

Press Reset Timer button. Timer must be Paused before Reset will occur. **Scores will delete if Long Reset.**

Do same above for either team. When finished, switch Change Team Names switch to OFF.