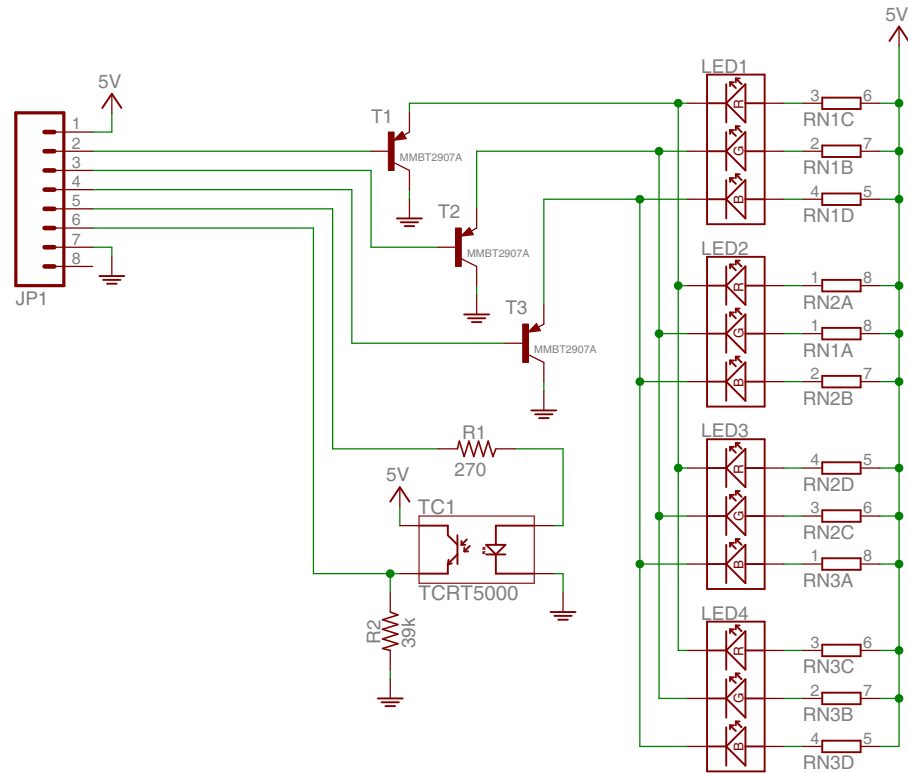


* All 3x Resistor Networks are 150ohm



Regax

TITLE: RGB_Pods

Document Number:
001

REV:
001

Date: 3/8/2014 3:44:46 PM

Sheet: 1/1