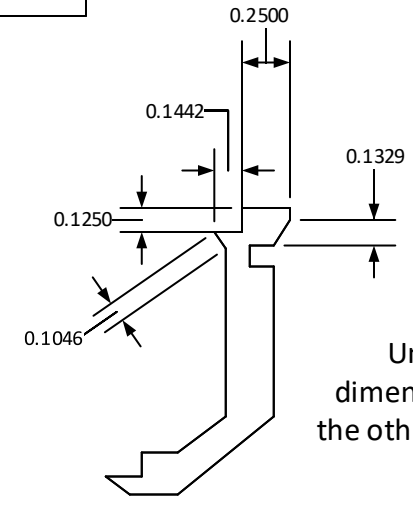


Unlabeled dimensions match taller pieces

Dimensions are estimates/rounded. Assume they are the nearest round number (e.g. 0.1563 => 0.15625, or 5/32)

If two dimensions look like they should be the same, they probably are.



Unlabeled dimensions match the other short piece

