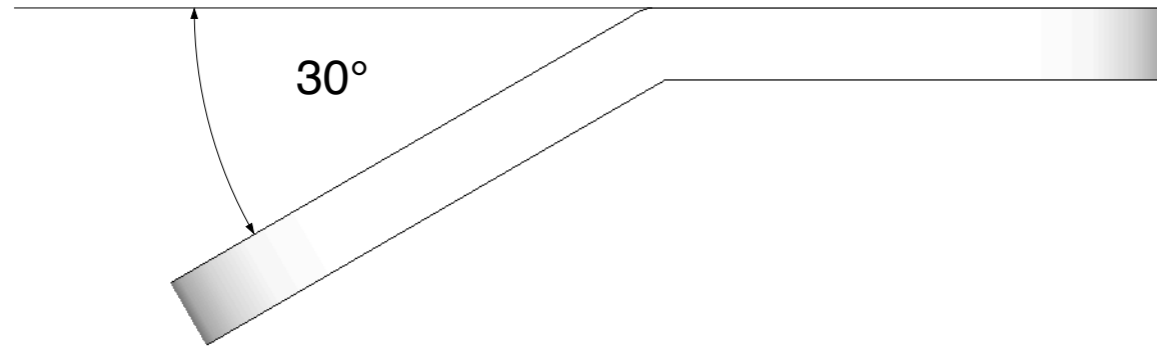
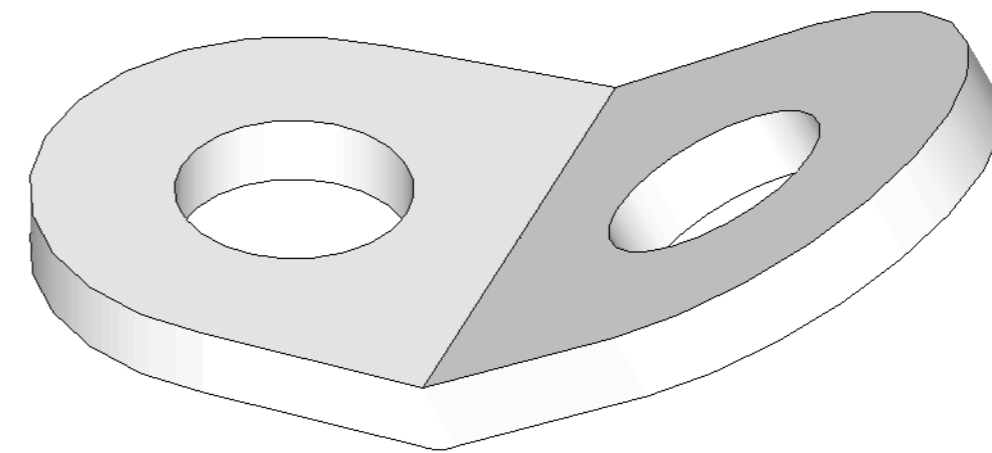
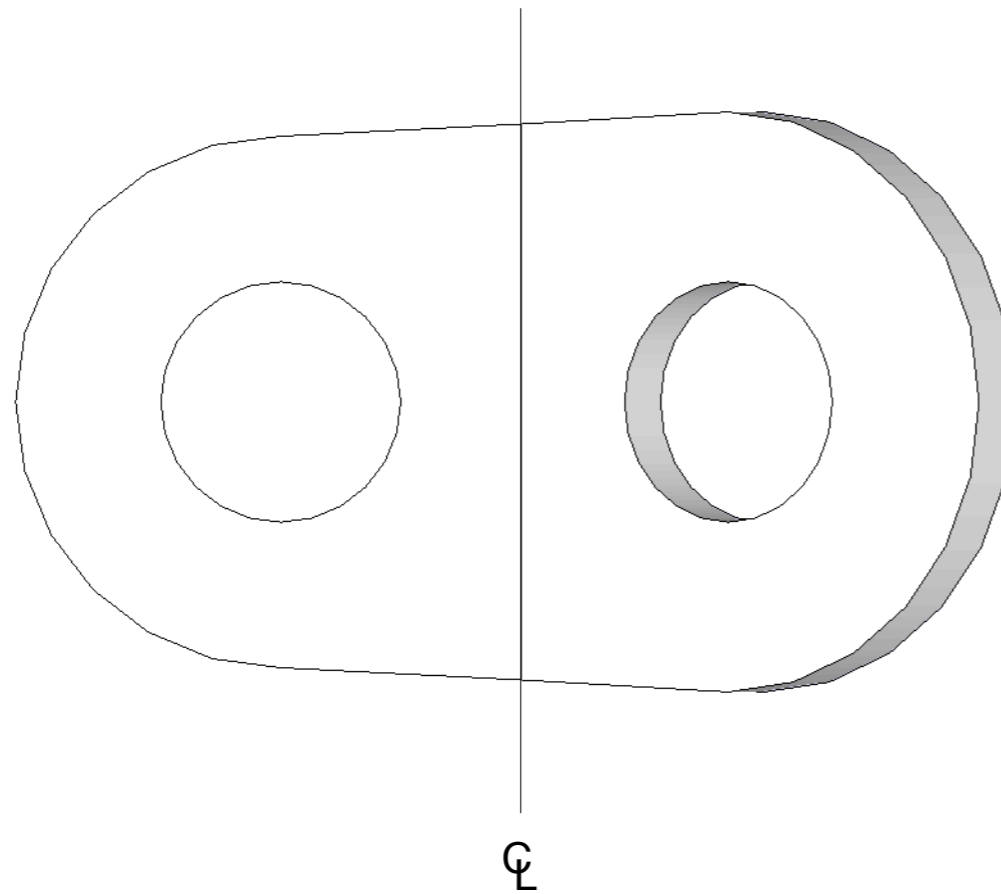


SIDE



PLAN



MATERIAL: 3/8 Mild steel

NOTE: Bend centered between two holes

- Rigging Hook
A Scale: FULL SIZE



CLIENT
Animal Planet

6.9.2014
RE-ISSUE
00.00.00

PROJECT NO.
1
PROJECT
Rigging Hooks

DRAWN BY
DDF
DESCRIPTION
Isometric

