

F

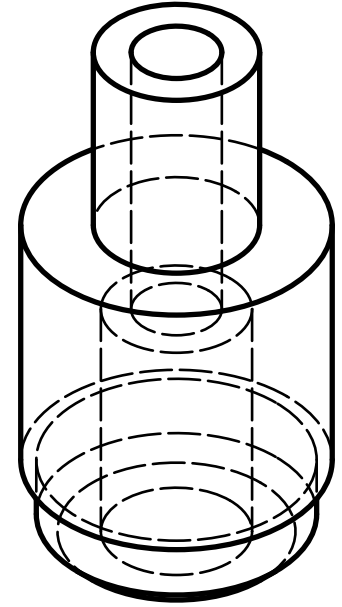
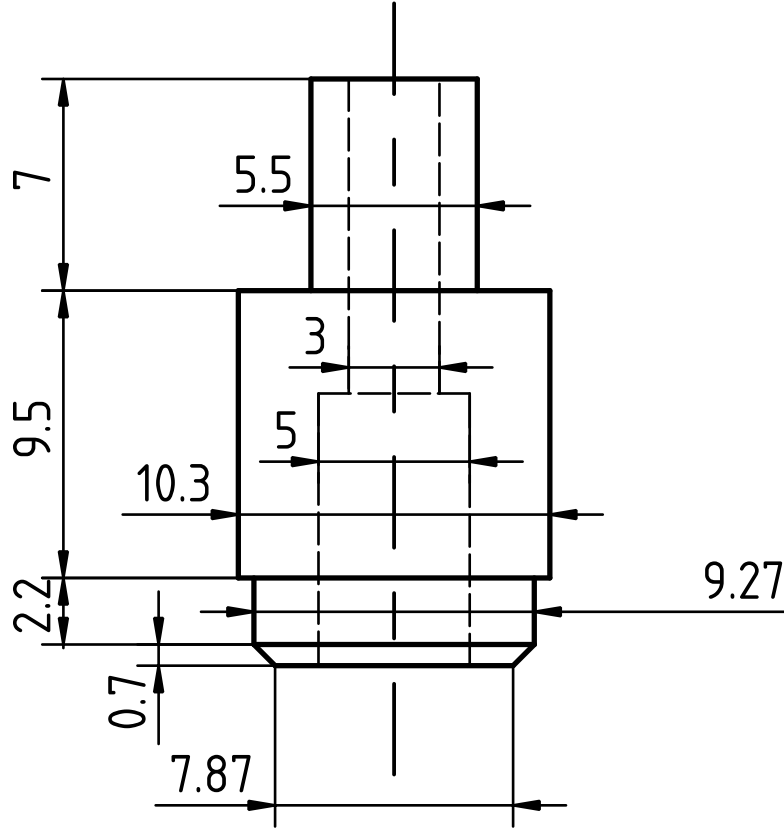
E

D

C

B

A



DESIGNED BY: Rhett Applestone		SBM-20-ENDS-NEW		G	—
DATE: 7/30/24		REV-2-USING		F	—
SIZE A4				E	—
				D	—
SCALE 4 : 1	WEIGHT (kg) Weight	DRAWING NUMBER 0003	SHEET 1 / 1	C	—
This drawing is our property; it can't be reproduced or communicated without our written consent.				B	—
				A	—

F

E

D

4

3

2

1

4

3

2

1