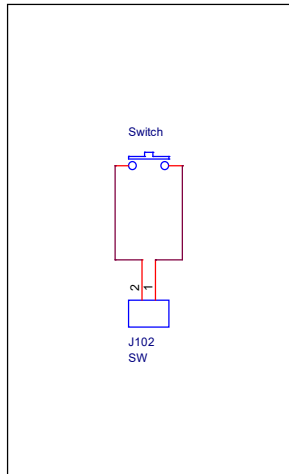
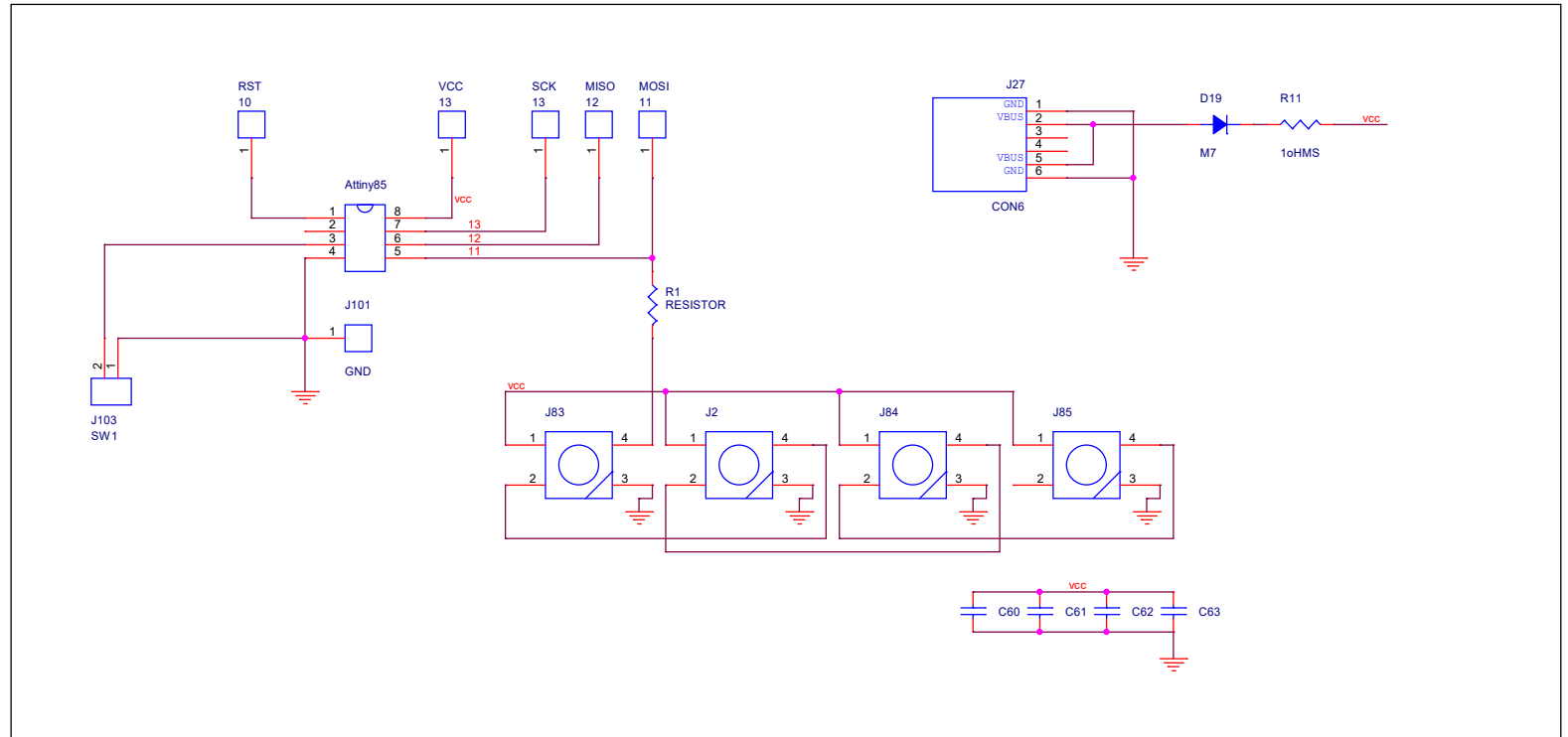


SWITCH PCB



MAIN PCB



Title	<Title>	
Size	Document Number	Rev
A3	<Doc>	<Rev Code>
Date:	Wednesday, April 27, 2022	Sheet 1 of 1