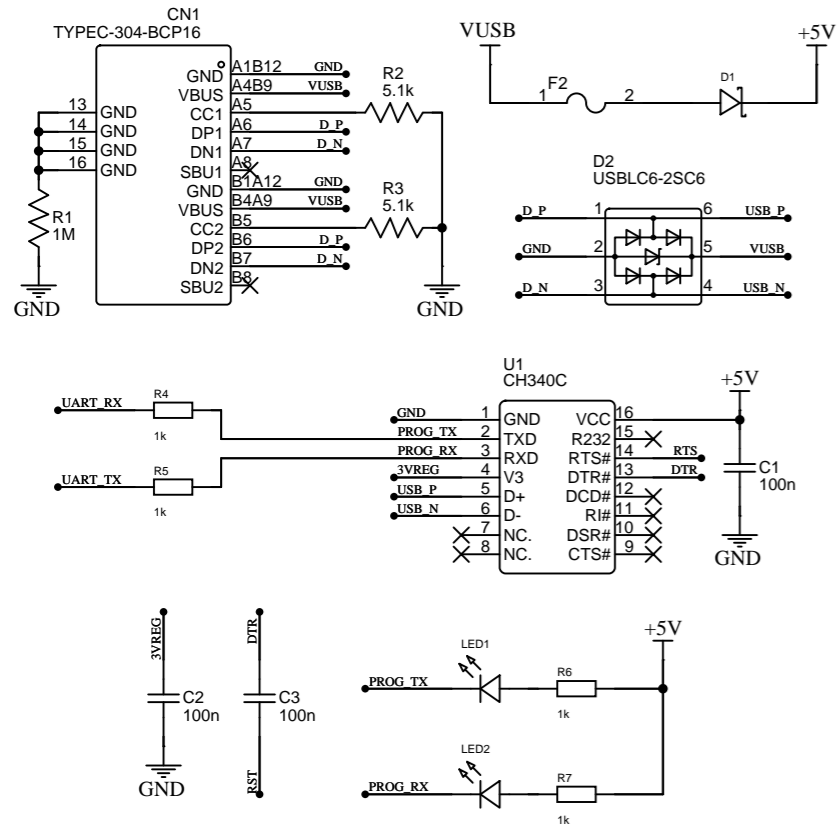
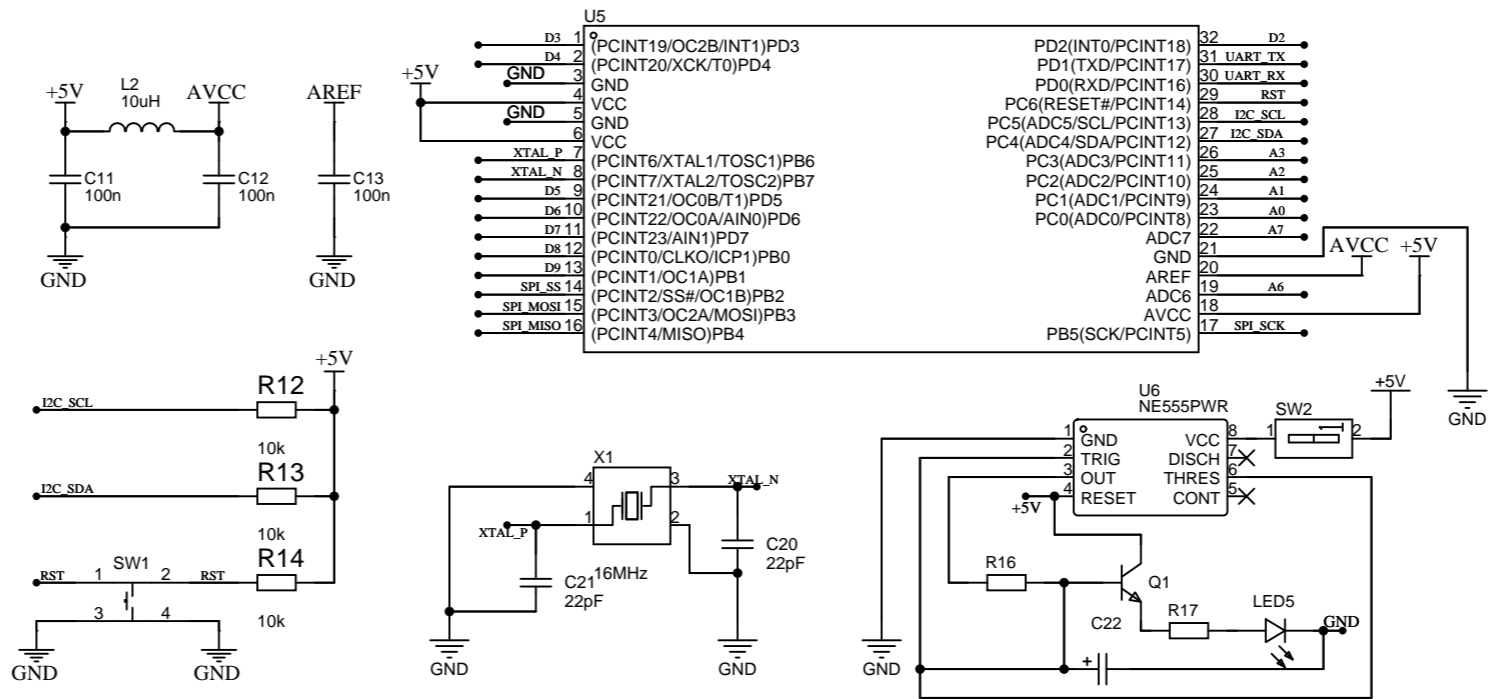


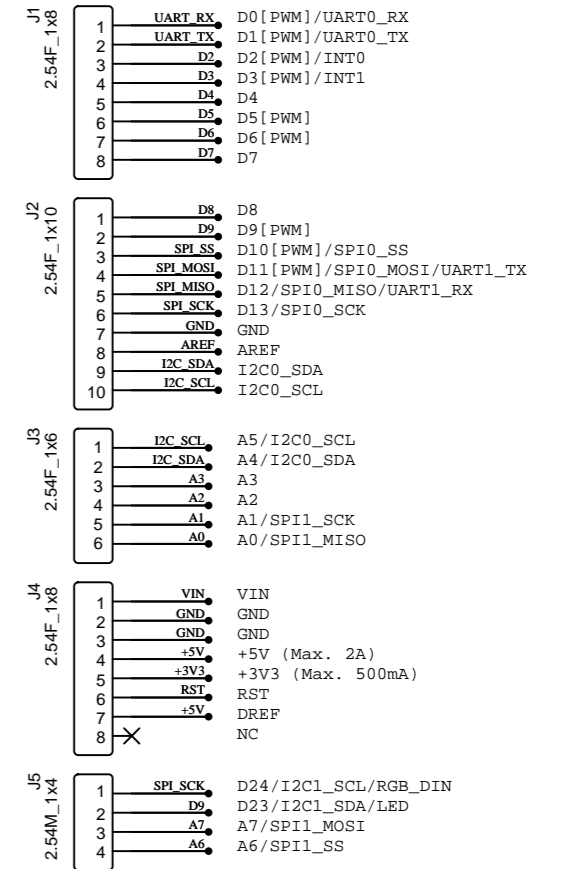
### USB-UART BRIDGE



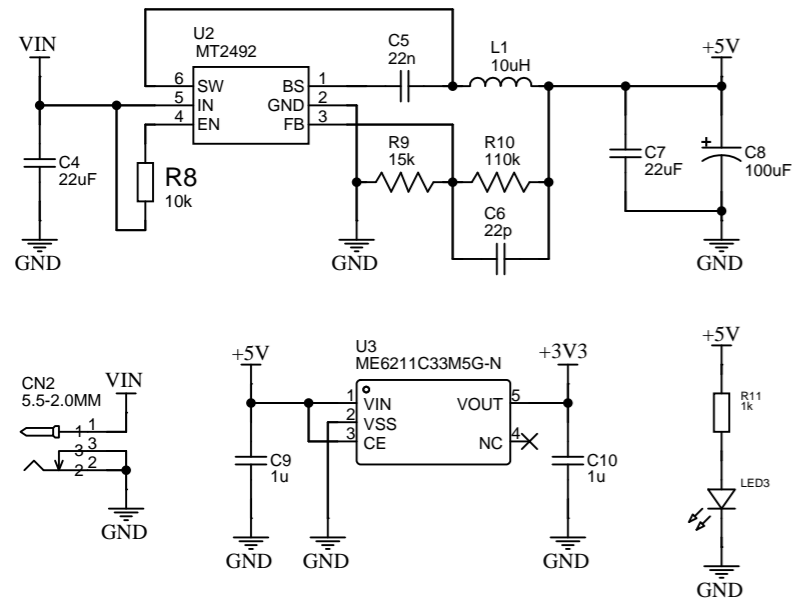
### MCU



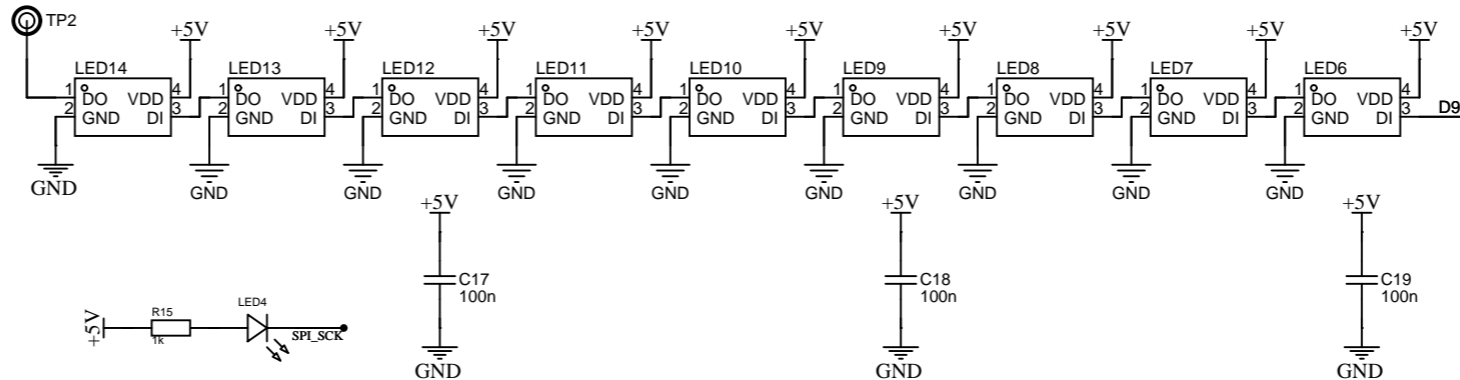
### I/O



### POWER REGULATOR



### ANIMATION LEDs



### PROGRAMMING HEADER

