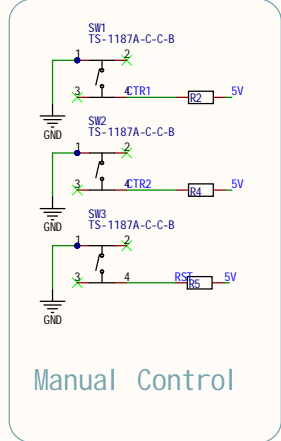
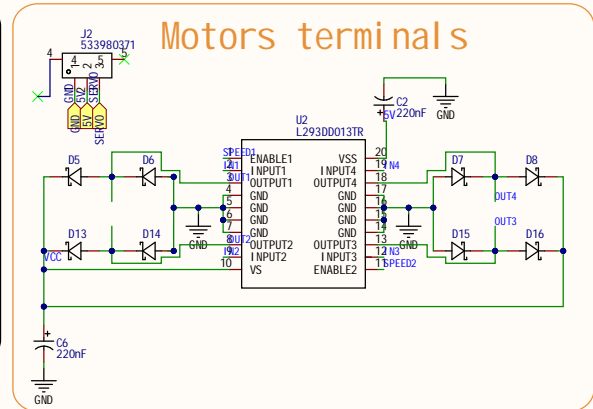
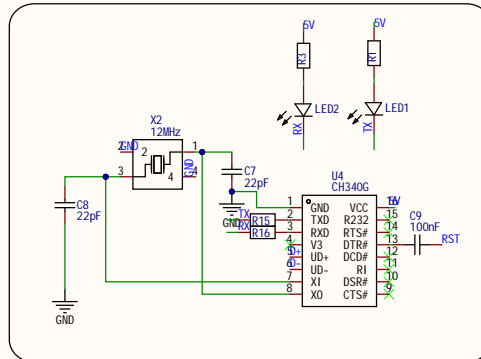
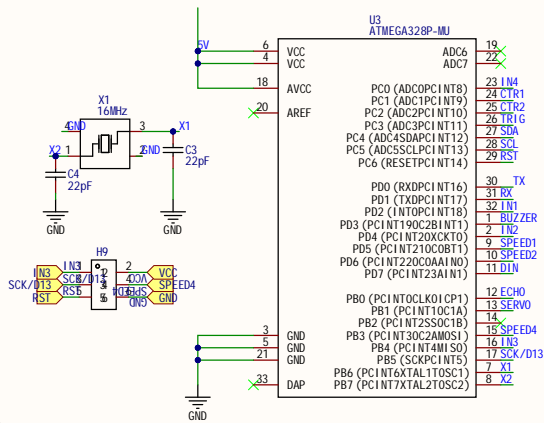


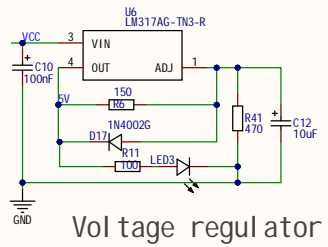
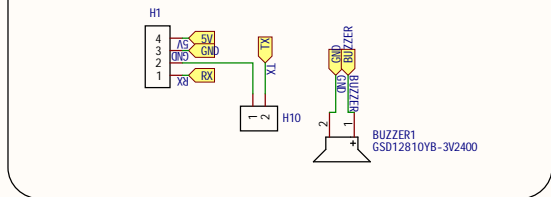
ARDUINO SMARS ROBOT

MCU ATMEGA328P



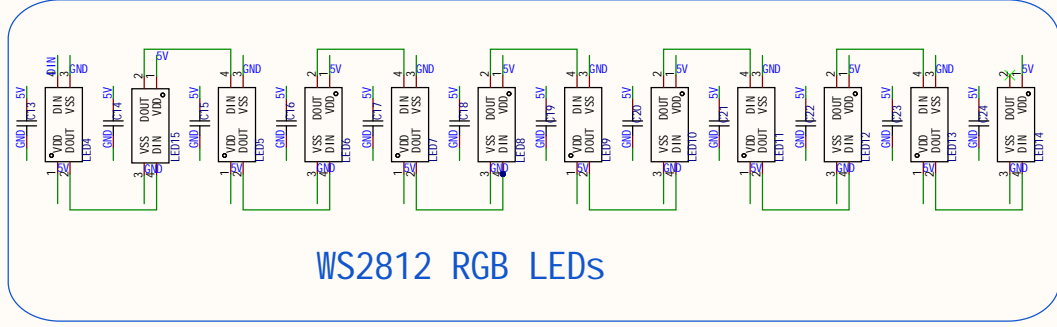
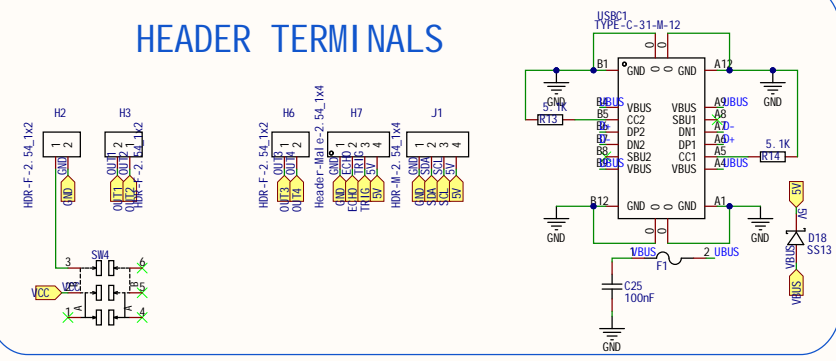
Manual Control

CONNECTION & NOTIFICATION



Voltage regulator

HEADER TERMINALS



WS2812 RGB LEDs

TITLE:	Sheet_1	REV:	1.0
Company:	Your Company	Sheet:	1/1
Date:	2019-06-23	Drawn By:	BEE_MB

Comment	Description	Designator	Footprint	LibRef	Quantity
GSD12810YB-3V2400		BUZZER1		GSD12810YB-3V2400	1
220nF		C2, C6		220nF	2
22pF		C3, C4, C7, C8		22pF	4
100nF		C9, C10, C13, C14, C15, C16, C17, C18, C19, C20, C21, C22, C23, C24, C25		100nF	15
10uF		C12		10uF	1
1N5819W_C963381		D5, D6, D7, D8, D13, D14, D15, D16		1N5819W_C963381	8
1N4002G		D17		1N4002G	1
SS13		D18		SS13	1
ASMD1206-050		F1		ASMD1206-050	1
HDR-F-2.54_1x4		H1		HDR-F-2.54_1x4	1
HDR-F-2.54_1x2		H2, H3, H6, H10		HDR-F-2.54_1x2	4
Header-Male- 2.54_1x4		H7		Header-Male- 2.54_1x4	1
X6521WVS-2*03H- C60D74		H9		X6521WVS-2*03H- C60D74	1
HDR-M-2.54_1x4		J1		HDR-M-2.54_1x4	1
533980371		J2		533980371	1
MHT192WDT-ICE		LED1, LED2, LED3		MHT192WDT-ICE	3
WS2812B-MINI		LED4, LED5, LED6, LED7, LED8, LED9, LED10, LED11, LED12, LED13, LED14, LED15		WS2812B-MINI	12
RT0603CRE071KL		R1, R2, R3, R4, R5, R15, R16		RT0603CRE071KL	7
150		R6		150	1
100		R11		100	1
5.1K		R13, R14		5.1K	2
470		R41		470	1
TS-1187A-C-C-B		SW1, SW2, SW3		TS-1187A-C-C-B	3
K3-2235S-F1		SW4		K3-2235S-F1	1
L293DD013TR		U2		L293DD013TR	1
ATMEGA328P-MU		U3		ATMEGA328P-MU	1
CH340G		U4		CH340G	1
LM317AG-TN3-R		U6		LM317AG-TN3-R	1
TYPE-C-31-M-12		USBC1		TYPE-C-31-M-12	1
16MHz		X1		16MHz	1
12MHz		X2		12MHz	1