

## FEATURES

- Low-Phase-Noise Mixer/Oscillator and PLL Synthesizer
- VHF-L, VHF-H, UHF Three-Band Local Oscillator
- I<sup>2</sup>C Bus Protocol (Bidirectional Data Transmission)
- 30-V Tuning Voltage Output
- Four NPN-Type Band-Switch Drivers
- One Auxiliary-Port, Five-Level ADC
- RF AGC Detector Circuit
- Crystal Oscillator Output
- Programmable Reference Divider Ratio (24/28/50/64/80/128)
- Standby Mode
- 5-V Power Supply
- 38-Pin TSSOP Package

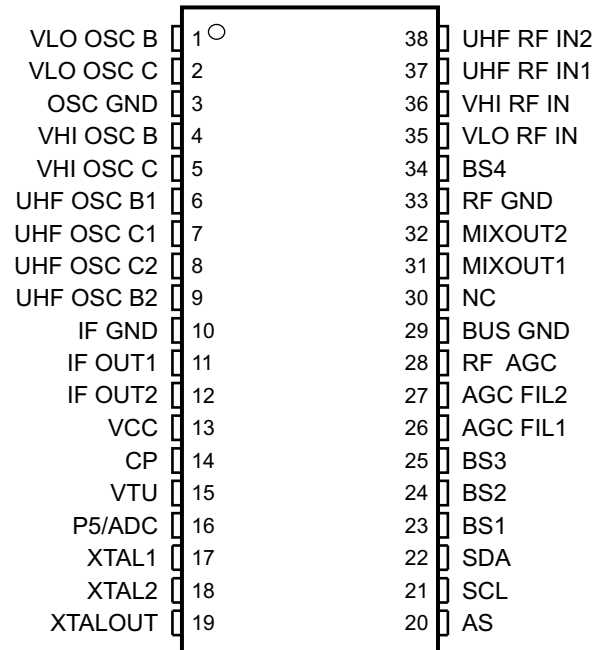
## APPLICATIONS

- Digital TV
- Digital CATV
- Set-Top Box

## DESCRIPTION

The SN761662 is a low-phase-noise synthesized tuner IC designed for digital TV tuning systems. The circuit consists of a PLL synthesizer, three-band local oscillator and mixer, 30-V output tuning amplifier, four NPN band-switch drivers, and is available in a small-outline package. A 15-bit programmable counter and reference divider are controlled by I<sup>2</sup>C bus protocol. Tuning step frequency is selectable by this reference divider ratio for a crystal oscillator.

DBT PACKAGE  
(TOP VIEW)



P0034-02



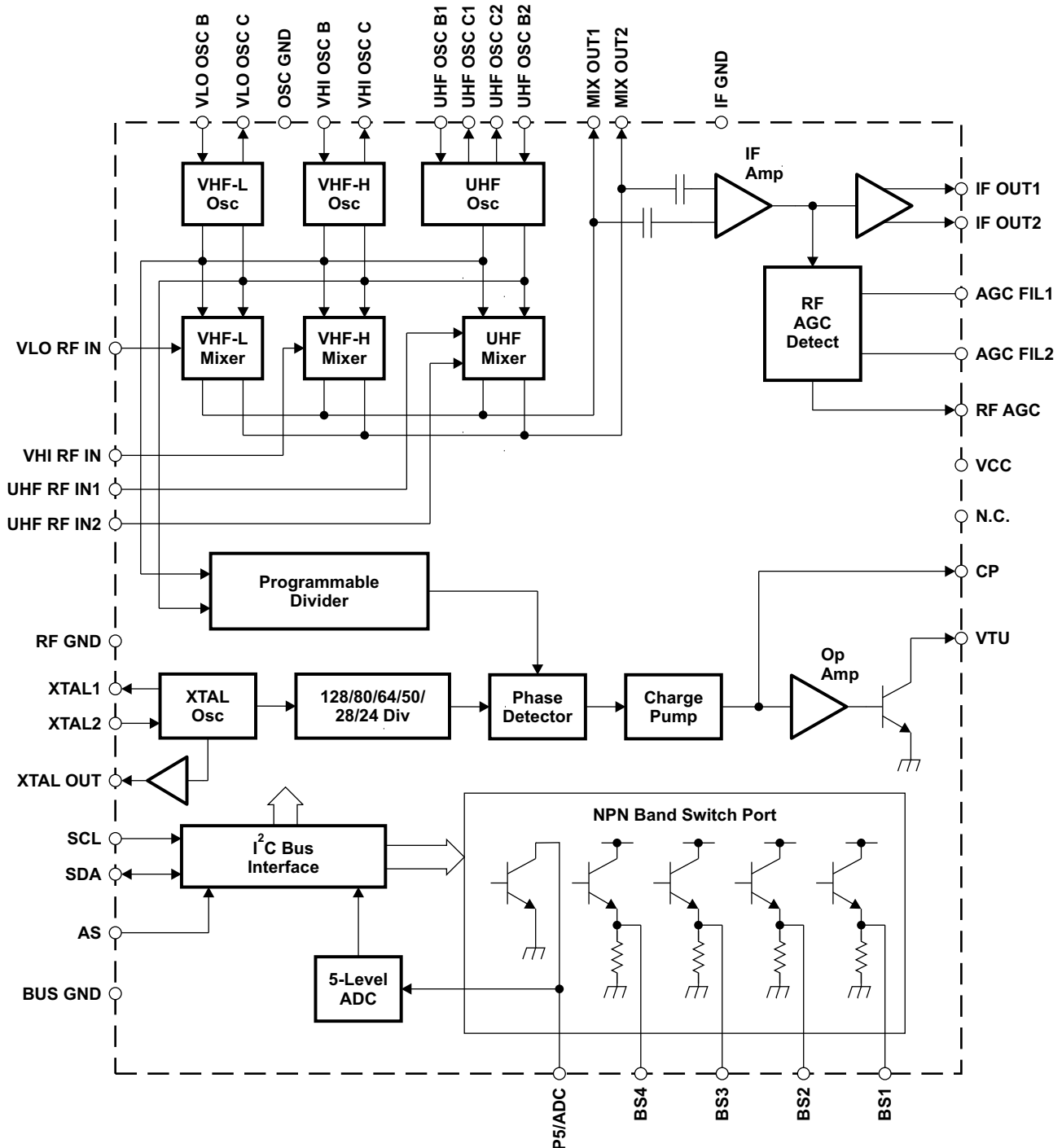
Please be aware that an important notice concerning availability, standard warranty, and use in critical applications of Texas Instruments semiconductor products and disclaimers thereto appears at the end of this data sheet.



This integrated circuit can be damaged by ESD. Texas Instruments recommends that all integrated circuits be handled with appropriate precautions. Failure to observe proper handling and installation procedures can cause damage.

MIXOUT1 and MIXOUT2 (pins 31 and 32) withstand 1.5 kV, and all other pins withstand 2 kV, according to the human body model (1.5 kΩ, 100 pF).

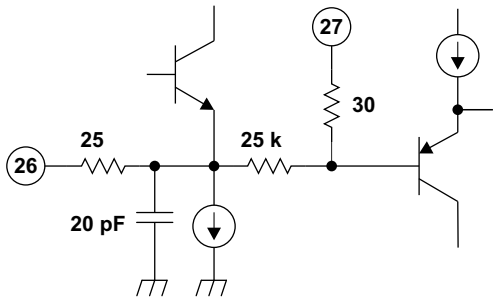
**Functional Block Diagram**



## Pin Assignments

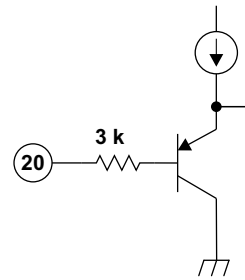
### Pin Description

TERMINAL		DESCRIPTION	SCHEMATIC
NAME	NO.		
AGC FIL1	26	Additional peak-hold capacitor pin	<a href="#">Figure 1</a>
AGC FIL2	27	RF AGC LPF capacitor pin	<a href="#">Figure 1</a>
AS	20	Address selection input	<a href="#">Figure 2</a>
BS1	23	Band-switch1 output	<a href="#">Figure 3</a>
BS2	24	Band-switch2 output	<a href="#">Figure 3</a>
BS3	25	Band-switch3 output	<a href="#">Figure 3</a>
BS4	34	Band-switch4 output	<a href="#">Figure 3</a>
BUS GND	29	Serial bus/band-switch ground	
CP	14	Charge pump output	<a href="#">Figure 4</a>
IF GND	10	IF ground	
IF OUT1	11	IF amplifier output	<a href="#">Figure 5</a>
IF OUT2	12	IF amplifier output	<a href="#">Figure 5</a>
MIX OUT1	31	Mixer output	<a href="#">Figure 6</a>
MIX OUT2	32	Mixer output	<a href="#">Figure 6</a>
N.C.	30	No connection	
OSC GND	3	Oscillator ground	
P5/ADC	16	Port 5 output/ADC input	<a href="#">Figure 7</a>
RF AGC	28	RF AGC output	<a href="#">Figure 8</a>
RF GND	33	RF ground	
SCL	21	Serial clock input	<a href="#">Figure 9</a>
SDA	22	Serial data input/output	<a href="#">Figure 10</a>
UHF OSC B1	6	UHF oscillator base1	<a href="#">Figure 11</a>
UHF OSC B2	9	UHF oscillator base2	<a href="#">Figure 11</a>
UHF OSC C1	7	UHF oscillator collector1	<a href="#">Figure 11</a>
UHF OSC C2	8	UHF oscillator collector2	<a href="#">Figure 11</a>
UHF RFIN1	37	UHF RF input	<a href="#">Figure 12</a>
UHF RFIN2	38	UHF RF input	<a href="#">Figure 12</a>
VCC	13	Supply voltage for mixer/oscillator/PLL: 5 V	
VHI OSC B	4	VHF HIGH oscillator base	<a href="#">Figure 13</a>
VHI OSC C	5	VHF HIGH oscillator collector	<a href="#">Figure 13</a>
VHI RFIN	36	VHF-H RF input	<a href="#">Figure 14</a>
VLO OSC B	1	VHF LOW oscillator base	<a href="#">Figure 15</a>
VLO OSC C	2	VHF LOW oscillator collector	<a href="#">Figure 15</a>
VLO RFIN	35	VHF-L RF input	<a href="#">Figure 18</a>
VTU	15	Tuning voltage amplifier output	<a href="#">Figure 4</a>
XTAL1	17	4-MHz crystal oscillator output	<a href="#">Figure 16</a>
XTAL2	18	4-MHz crystal oscillator input	<a href="#">Figure 16</a>
XTALOUT	19	4-MHz oscillator output	<a href="#">Figure 17</a>



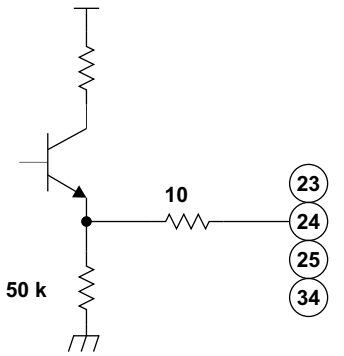
S0139-01

**Figure 1.**



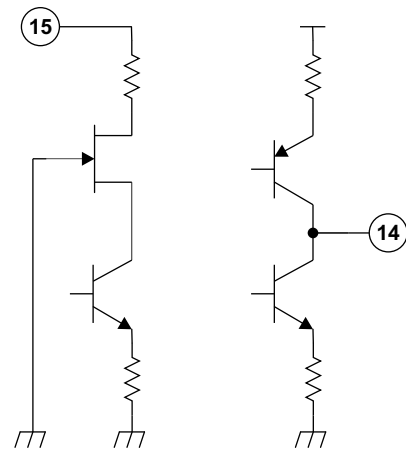
S0136-01

**Figure 2.**



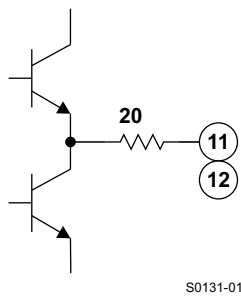
S0138-01

**Figure 3.**



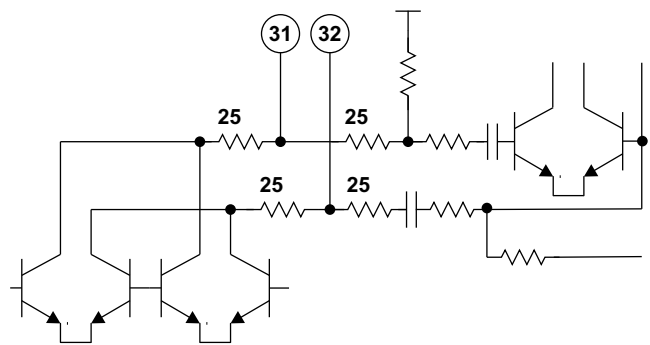
S0132-01

**Figure 4.**



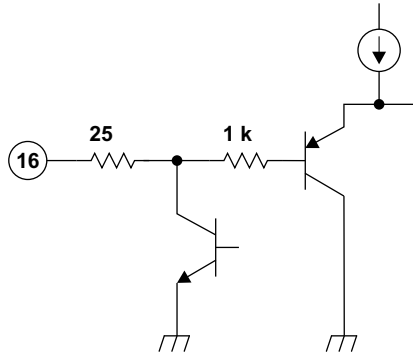
S0131-01

**Figure 5.**



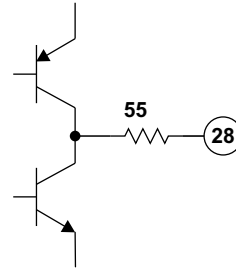
S0141-01

**Figure 6.**



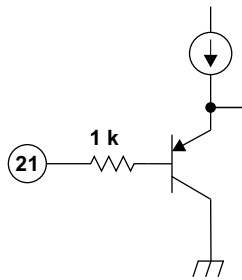
S0133-01

Figure 7.



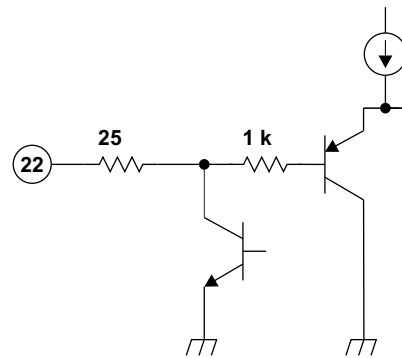
S0140-01

Figure 8.



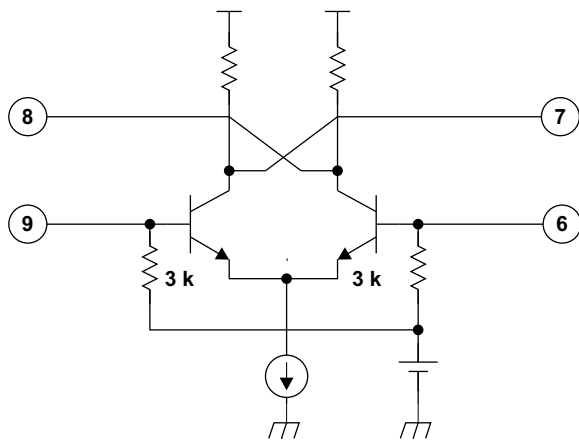
S0136-02

Figure 9.



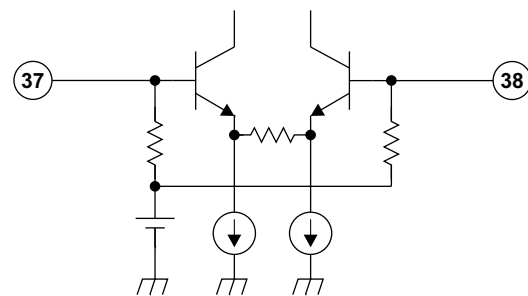
S0137-01

Figure 10.



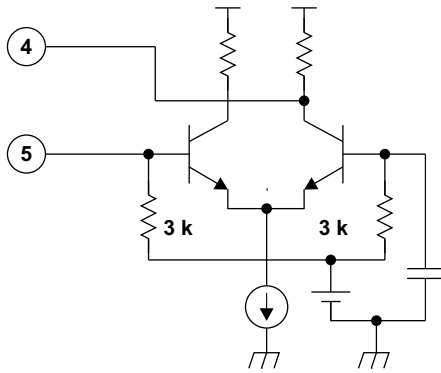
S0130-01

Figure 11.



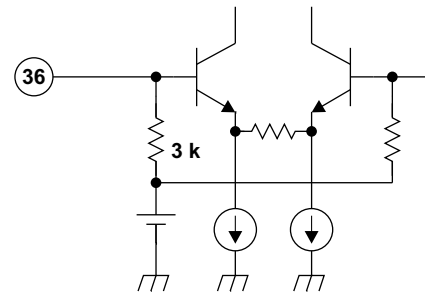
S0142-03

Figure 12.



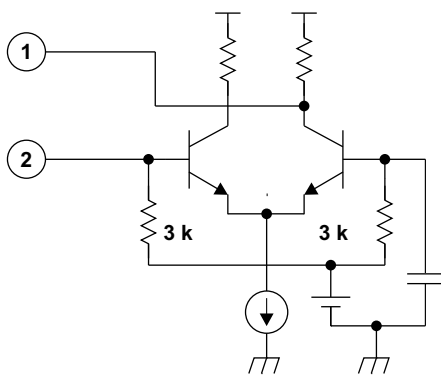
S0129-02

Figure 13.



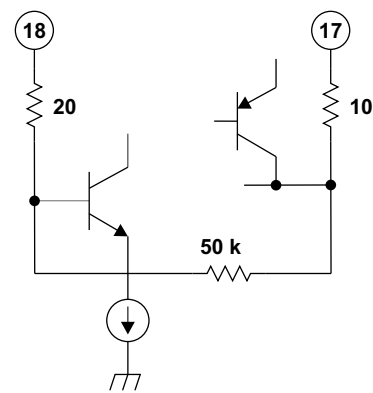
S0142-02

Figure 14.



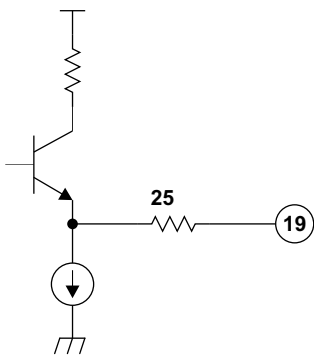
S0129-01

Figure 15.



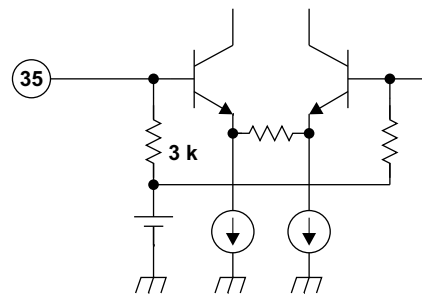
S0134-01

Figure 16.



S0135-01

Figure 17.



S0142-01

Figure 18.

## ABSOLUTE MAXIMUM RATINGS

over operating free-air temperature range (unless otherwise noted) <sup>(1)</sup>

Supply voltage, $V_{CC}$ <sup>(2)</sup>	VCC	–0.4 V to 6.5 V
Input voltage 1, $V_{GND}$ <sup>(2)</sup>	RF GND, OSC GND, BUS GND	–0.4 V to 0.4 V
Input voltage 2, $V_{VTU}$ <sup>(2)</sup>	VTU	–0.4 V to 35 V
Input voltage 3, $V_{IN}$ <sup>(2)</sup>	Other pins	–0.4 V to 6.5 V
Continuous total dissipation, $P_D$ <sup>(3)</sup>	$T_A \leq 25^\circ\text{C}$	1276 mW
Operating free-air temperature, $T_A$		–20°C to 85°C
Storage temperature range, $T_{stg}$		–65°C to 150°C
Maximum junction temperature, $T_J$		150°C
Maximum short-circuit time, $t_{SC(max)}$	Each pin to $V_{CC}$ or to GND	10 s

- (1) Stresses beyond those listed under "absolute maximum ratings" may cause permanent damage to the device. These are stress ratings only, and functional operation of the device at these or any other conditions beyond those indicated under "recommended operating conditions" is not implied. Exposure to absolute-maximum-rated conditions for extended periods may affect device reliability.
- (2) Voltage values are with respect to the IF GND of the circuit.
- (3) Derating factor is 10.2 mW/°C for  $T_A \geq 25^\circ\text{C}$ .

## RECOMMENDED OPERATING CONDITIONS

over operating free-air temperature range (unless otherwise noted)

		MIN	NOM	MAX	UNIT
Supply voltage, $V_{CC}$		4.5	5	5.5	V
Tuning supply voltage, $V_{TU}$			30	33	V
Output current of band switch, $I_{BS}$	One band switch on			10	mA
Output current of port 5, $I_{P5}$				–5	mA
Operating free-air temperature, $T_A$		–20		85	°C

## ELECTRICAL CHARACTERISTICS, Total Device and Serial Interface

$V_{CC} = 4.5\text{ V to }5.5\text{ V}$ ,  $T_A = -20^\circ\text{C to }85^\circ\text{C}$ , unless otherwise noted

PARAMETER	TEST CONDITIONS	MIN	TYP	MAX	UNIT
$I_{CC1}$	Supply current 1		75		mA
$I_{CC2}$	Supply current 2	One band switch on ( $I_{BS} = 10\text{ mA}$ )	87		mA
$I_{CC-STBY}$	Standby supply current	STBY = 1	8		mA
$V_{IH}$	High-level input voltage (SCL, SDA)	2.3			V
$V_{IL}$	Low-level input voltage (SCL, SDA)			1.35	V
$I_{IH}$	High-level input current (SCL, SDA)			10	$\mu\text{A}$
$I_{IL}$	Low-level input current (SCL, SDA)	-10			$\mu\text{A}$
$V_{POR}$	Power-on-reset supply voltage (threshold of supply voltage between reset and operation mode)	2.1	2.8	3.5	V
<b>I<sup>2</sup>C INTERFACE</b>					
$V_{ASH}$	Address-select high-input voltage (AS)	$V_{CC} = 5\text{ V}$	4.5	5	V
$V_{ASM1}$	Address-select mid-input1 voltage (AS)	$V_{CC} = 5\text{ V}$	2	3	V
$V_{ASM2}$	Address-select mid-input2 voltage (AS)	$V_{CC} = 5\text{ V}$	1	1.5	V
$V_{ASL}$	Address-select low-input voltage (AS)	$V_{CC} = 5\text{ V}$		0.5	V
$I_{ASH}$	Address-select high-input current (AS)			10	$\mu\text{A}$
$I_{ASL}$	Address-select low-input current (AS)		-10		$\mu\text{A}$
$V_{ADC}$	ADC input voltage	See <a href="#">Table 10</a>	0	$V_{CC}$	V
$I_{ADH}$	ADC high-level input current	$V_{ADC} = V_{CC}$		10	$\mu\text{A}$
$I_{ADL}$	ADC low-level input current	$V_{ADC} = 0\text{ V}$	-10		$\mu\text{A}$
$V_{OL}$	Low-level output voltage (SDA)	$V_{CC} = 5\text{ V}$ , $I_{OL} = 3\text{ mA}$		0.4	V
$I_{SDAH}$	High-level output leakage current (SDA)	$V_{SDA} = 5.5\text{ V}$		10	$\mu\text{A}$
$f_{SCL}$	Clock frequency (SCL)		100	400	kHz
$t_{HD-DAT}$	Data hold time	See timing chart, <a href="#">Figure 19</a>	0		$\mu\text{s}$
$t_{BUF}$	Bus free time		1.3		$\mu\text{s}$
$t_{HD-STA}$	Start hold time		0.6		$\mu\text{s}$
$t_{LOW}$	SCL-low hold time		0.6		$\mu\text{s}$
$t_{HIGH}$	SCL-high hold time		0.6		$\mu\text{s}$
$t_{SU-STA}$	Start setup time		0.6		$\mu\text{s}$
$t_{SU-DAT}$	Data setup time		0.1		$\mu\text{s}$
$t_r$	SCL, SDA rise time			0.3	$\mu\text{s}$
$t_f$	SCL, SDA fall time			0.3	$\mu\text{s}$
$t_{SU-STO}$	Stop setup time		0.6		$\mu\text{s}$



## ELECTRICAL CHARACTERISTICS, PLL and Band Switch

$V_{CC} = 4.5\text{ V to }5.5\text{ V}$ ,  $T_A = -20^\circ\text{C to }85^\circ\text{C}$ , unless otherwise noted

PARAMETER		TEST CONDITIONS	MIN	TYP	MAX	UNIT
N	Divider ratio	15-bit frequency word	512		32767	
$f_{XTAL}$	Crystal oscillator frequency	$R_{XTAL} = 25\ \Omega$ to $300\ \Omega$		4		MHz
$Z_{XTAL}$	Crystal oscillator input impedance			1.6		k $\Omega$
$V_{XLO}$	XTALOUT output voltage	Load = 10 pF/5.1 k $\Omega$ , $V_{CC} = 5\text{ V}$ , $T_A = 25^\circ\text{C}$		0.37		V <sub>p-p</sub>
$V_{VTUL}$	Tuning amplifier low-level output voltage	$R_L = 20\text{ k}\Omega$ , $V_{TU} = 33\text{ V}$	0.2	0.3	0.46	V
$I_{VTUOFF}$	Tuning amplifier leakage current	Tuning amplifier = off, $V_{TU} = 33\text{ V}$			10	$\mu\text{A}$
$I_{CP11}$	Charge-pump current	CP[1:0] = 11		600		$\mu\text{A}$
$I_{CP10}$		CP[1:0] = 10		300		
$I_{CP01}$		CP[1:0] = 01		140		
$I_{CP00}$		CP[1:0] = 00		70		
$V_{CP}$	Charge-pump output voltage	PLL locked		1.95		V
$I_{CPOFF}$	Charge-pump leakage current	$V_{CP} = 2\text{ V}$ , $T_A = 25^\circ\text{C}$	-15		15	nA
$I_{BS}$	Band-switch driver output current (BS1–BS4)				10	mA
$V_{BS1}$	Band-switch driver output voltage (BS1–BS4)	$I_{BS} = 10\text{ mA}$	3			V
$V_{BS2}$		$I_{BS} = 10\text{ mA}$ , $V_{CC} = 5\text{ V}$ , $T_A = 25^\circ\text{C}$	3.5	3.9		
$I_{BSOFF}$	Band-switch driver leakage current (BS1–BS4)	$V_{BS} = 0\text{ V}$			8	$\mu\text{A}$
$I_{P5}$	Band-switch port sink current (P5/ADC)				-5	mA
$V_{P5ON}$	Band-switch port output voltage (P5/ADC)	$I_{P5} = -2\text{ mA}$ , $V_{CC} = 5\text{ V}$ , $T_A = 25^\circ\text{C}$			0.6	V

## ELECTRICAL CHARACTERISTICS, RF AGC

$V_{CC} = 5\text{ V}$ ,  $T_A = 25^\circ\text{C}$ , measured in [Figure 20](#) reference measurement circuit at 50- $\Omega$  system, IF = 44 MHz, IF filter characteristics:  $f_{peak} = 44\text{ MHz}$ , unless otherwise noted

PARAMETER		TEST CONDITIONS	MIN	TYP	MAX	UNIT
$I_{OAGC0}$	RF AGC output current	ATC = 0		900		nA
$I_{OAGC1}$		ATC = 1		9		$\mu\text{A}$
$V_{AGCSP00}$	Start-point IF output level	T1/ATSS = 0, ATP[2:0] = 000		117		dB $\mu\text{V}$
$V_{AGCSP01}$		T1/ATSS = 0, ATP[2:0] = 001		114		
$V_{AGCSP02}$		T1/ATSS = 0, ATP[2:0] = 010		111		
$V_{AGCSP03}$		T1/ATSS = 0, ATP[2:0] = 011		108		
$V_{AGCSP04}$		T1/ATSS = 0, ATP[2:0] = 100		105		
$V_{AGCSP05}$		T1/ATSS = 0, ATP[2:0] = 101		102		
$V_{AGCSP06}$		T1/ATSS = 0, ATP[2:0] = 110		99		
$V_{AGCSP10}$		T1/ATSS = 1, ATP[2:0] = 000		112		
$V_{AGCSP11}$		T1/ATSS = 1, ATP[2:0] = 001		109		
$V_{AGCSP12}$		T1/ATSS = 1, ATP[2:0] = 010		106		
$V_{AGCSP13}$		T1/ATSS = 1, ATP[2:0] = 011		103		
$V_{AGCSP14}$		T1/ATSS = 1, ATP[2:0] = 100		100		
$V_{AGCSP15}$		T1/ATSS = 1, ATP[2:0] = 101		97		
$V_{AGCSP16}$		T1/ATSS = 1, ATP[2:0] = 110		94		

**ELECTRICAL CHARACTERISTICS, Mixer, Oscillator, IF Amplifier**

$V_{CC} = 5\text{ V}$ ,  $T_A = 25^\circ\text{C}$ , measured in [Figure 20](#) reference measurement circuit at 50- $\Omega$  system, IF = 44 MHz, IF filter characteristics:  $f_{\text{peak}} = 44\text{ MHz}$  (unless otherwise noted)

PARAMETER		TEST CONDITIONS	MIN	TYP	MAX	UNIT
$G_{c1}$	Conversion gain (mixer-IF amplifier), VHF-LOW	$f_{in} = 57\text{ MHz}^{(1)}$		35		dB
$G_{c3}$		$f_{in} = 171\text{ MHz}^{(1)}$		35		
$G_{c4}$	Conversion gain (mixer-IF amplifier), VHF-HIGH	$f_{in} = 177\text{ MHz}^{(1)}$		35		dB
$G_{c6}$		$f_{in} = 467\text{ MHz}^{(1)}$		35		
$G_{c7}$	Conversion gain (mixer-IF amplifier), VHF-UHF	$f_{in} = 473\text{ MHz}^{(1)}$		35		dB
$G_{c9}$		$f_{in} = 864\text{ MHz}^{(1)}$		35		
$NF_1$	Noise figure, VHF-LOW	$f_{in} = 57\text{ MHz}$		9		dB
$NF_3$		$f_{in} = 171\text{ MHz}$		9		
$NF_4$	Noise figure, VHF-HIGH	$f_{in} = 177\text{ MHz}$		9		dB
$NF_6$		$f_{in} = 467\text{ MHz}$		9		
$NF_7$	Noise figure, UHF	$f_{in} = 473\text{ MHz}$		12		dB
$NF_9$		$f_{in} = 864\text{ MHz}$		12		
$CM_1$	1% cross-modulation distortion, VHF-LOW	$f_{in} = 57\text{ MHz}^{(2)}$		79		dB $\mu$ V
$CM_3$		$f_{in} = 171\text{ MHz}^{(2)}$		79		
$CM_4$	1% cross-modulation distortion, VHF-HIGH	$f_{in} = 177\text{ MHz}^{(2)}$		79		dB $\mu$ V
$CM_6$		$f_{in} = 467\text{ MHz}^{(2)}$		79		
$CM_7$	1% cross-modulation distortion, UHF	$f_{in} = 473\text{ MHz}^{(2)}$		77		dB $\mu$ V
$CM_9$		$f_{in} = 864\text{ MHz}^{(2)}$		77		
$V_{IFO1}$	IF output voltage, VHF-LOW	$f_{in} = 57\text{ MHz}$		117		dB $\mu$ V
$V_{IFO3}$		$f_{in} = 171\text{ MHz}$		117		
$V_{IFO4}$	IF output voltage, VHF-HIGH	$f_{in} = 177\text{ MHz}$		117		dB $\mu$ V
$V_{IFO6}$		$f_{in} = 467\text{ MHz}$		117		
$V_{IFO7}$	IF output voltage, UHF	$f_{in} = 473\text{ MHz}$		117		dB $\mu$ V
$V_{IFO9}$		$f_{in} = 864\text{ MHz}$		117		
$\Phi_{PLVL11}$	Phase noise, VHF-LOW	$f_{in} = 57\text{ MHz}$ , offset = 1 kHz <sup>(3)</sup>		-90		dBc/Hz
$\Phi_{PLVL12}$		$f_{in} = 57\text{ MHz}$ , offset = 10 kHz <sup>(4)</sup>		-95		
$\Phi_{PLVL31}$		$f_{in} = 171\text{ MHz}$ , offset = 1 kHz <sup>(5)</sup>		-85		
$\Phi_{PLVL32}$		$f_{in} = 171\text{ MHz}$ , offset = 10 kHz <sup>(4)</sup>		-95		
$\Phi_{PLVL41}$	Phase noise, VHF-HIGH	$f_{in} = 177\text{ MHz}$ , offset = 1 kHz <sup>(3)</sup>		-85		dBc/Hz
$\Phi_{PLVL42}$		$f_{in} = 177\text{ MHz}$ , offset = 10 kHz <sup>(4)</sup>		-90		
$\Phi_{PLVL61}$		$f_{in} = 467\text{ MHz}$ , offset = 1 kHz <sup>(5)</sup>		-77		
$\Phi_{PLVL62}$		$f_{in} = 467\text{ MHz}$ , offset = 10 kHz <sup>(4)</sup>		-90		
$\Phi_{PLVL71}$	Phase noise, UHF	$f_{in} = 473\text{ MHz}$ , offset = 1 kHz <sup>(3)</sup>		-80		dBc/Hz
$\Phi_{PLVL72}$		$f_{in} = 473\text{ MHz}$ , offset = 10 kHz <sup>(4)</sup>		-85		
$\Phi_{PLVL91}$		$f_{in} = 864\text{ MHz}$ , offset = 1 kHz <sup>(5)</sup>		-77		
$\Phi_{PLVL92}$		$f_{in} = 864\text{ MHz}$ , offset = 10 kHz <sup>(4)</sup>		-90		

- (1) RF input level = 70 dB $\mu$ V, differential output
- (2)  $f_{undes} = f_{des} \pm 6\text{ MHz}$ ,  $P_{in} = 80\text{ dB}\mu\text{V}$ , AM 1 kHz, 30%, DES/CM = S/I = 46 dB
- (3) CP[1:0] = 10 (CP current 350  $\mu$ A), RS[2:0] = 011 (reference divider 64)
- (4) CP[1:0] = 00 (CP current 70  $\mu$ A), RS[2:0] = 100 (reference divider 128)
- (5) CP[1:0] = 11 (CP current 600  $\mu$ A), RS[2:0] = 100 (reference divider 128)

## Functional Description

### I<sup>2</sup>C Bus Mode

#### I<sup>2</sup>C Write Mode (R/W = 0)

**Table 1. Write Data Format**

	MSB						LSB			
<sup>(1)</sup> Address byte (ADB)	1	1	0	0	0	MA1	MA0	R/W = 0	A	
Divider byte 1 (DB1)	0	N14	N13	N12	N11	N10	N9	N8	A	
Divider byte 2 (DB2)	N7	N6	N5	N4	N3	N2	N1	N0	A	
Control byte 1 (CB1)	1	0	ATP2	ATP1	ATP0	RS2	RS1	RS0	A	
Band-switch byte (BB)	CP1	CP0	0	P5	BS4	BS3	BS2	BS1	A	
Control byte 2 (CB2)	1	1	ATC	STBY	T3	T2	T1/ATSS	T0/XLO	A	

(1) A: Acknowledge

**Table 2. Description of Data Symbols**

SYMBOL	DESCRIPTION	DEFAULT
MA[1:0]	Address-set bits (see <a href="#">Table 3, Address Selection</a> )	
N[14:0]	Programmable counter set bits $N = N14 \times 2^{14} + N13 \times 2^{13} + \dots + N1 \times 2 + N0$	N14 = N13 = N12 = ... = N0 = 0
CP[1:0]	Charge-pump current-set bit 60 $\mu$ A (CP = 0); 280 $\mu$ A (CP = 1)	CP = 1
T[2:0]	RF AGC start-point control bits (see <a href="#">Table 4, RF AGC Start Point</a> )	ATP[2:0] = 011
RSA, RSB	Reference divider ratio-selection bits (see <a href="#">Table 5, Reference Divider Ratio</a> )	RSA = 0, RSB = 1
OS	Tuning amplifier control bit Tuning voltage on (OS = 0) Tuning voltage off, high impedance (OS = 1)	OS = 0
BS[4:1]	Band-switch control bits BS <sub>n</sub> = 0: OFF    BS <sub>n</sub> = 1: ON	BS <sub>n</sub> = 0
	Band selection by BS[1:2] <b>BS1    BS2</b> 1    0    VHF-LO 0    1    VHF-HI 0    0    UHF 1    1    Reserved	
X	Don't care	

**Table 3. Address Selection**

MA1	MA0	Voltage Applied on AS Input
0	0	0 V to 0.1 V <sub>CC</sub>
0	1	OPEN, or 0.2 V <sub>CC</sub> to 0.3 V <sub>CC</sub>
1	0	0.4 V <sub>CC</sub> to 0.6 V <sub>CC</sub>
1	1	0.9 V <sub>CC</sub> to V <sub>CC</sub>

**Table 4. RF AGC Start Point**

T1/ATSS	ATP2	ATP1	ATP0	IFOUT Level, dB $\mu$ V
0	0	0	0	117
0	0	0	1	114
0	0	1	0	111
0	0	1	1	108
0	1	0	0	105
0	1	0	1	102
0	1	1	0	99
0	1	1	1	Disabled
1	0	0	0	112
1	0	0	1	109
1	0	1	0	106
1	0	1	1	103
1	1	0	0	100
1	1	0	1	97
1	1	1	0	94
1	1	1	1	Disabled

**Table 5. Reference Divider Ratio**

RS2	RS1	RS0	Reference Divider Ratio
0	0	0	24
0	0	1	28
0	1	0	50
0	1	1	64
1	0	0	128
1	X	1	80

**Table 6. Charge Pump Current**

CP1	CP0	Charge Pump Current, $\mu$ A
0	0	70
0	1	140
1	0	350
1	1	600

**Table 7. Test Bits/XTALOUT Control <sup>(1)</sup>**

T3	T2	T1/ATSS	T0/XLO	Device Operation	XTALOUT 4-MHz Output
0	0	X	0	Normal operation	Enabled
0	0	X	1	Normal operation	Disabled
X	1	X	X	Test mode	Not available
1	X	X	X	Test mode	Not available

(1) RFAGC and XTALOUT are not available in test mode.

**Example I<sup>2</sup>C Data Write Sequences**

Telegram examples:

Start-ADB-DB1-DB2-CB1-BB-CB2-Stop  
 Start-ADB-DB1-DB2-Stop  
 Start-ADB-CB1-BB-CB2-Stop  
 Start-ADB-CB1-BB-Stop  
 Start-ADB-CB2-Stop

Abbreviations:

ADB: Address byte  
 BB: Band-switch byte  
 CB1: Control byte 1  
 CB2: Control byte 2  
 DB1: Divider byte 1  
 DB2: Divider byte 2  
 Start: Start condition  
 Stop: Stop condition

**I<sup>2</sup>C Read Mode (R/W = 1)**

**Table 8. Read Data Format (A: Acknowledge)**

	MSB							LSB	
Address byte (ADB)	1	1	0	0	0	MA1	MA0	R/W = 1	A
Status byte (SB)	POR	FL	1	1	X	A2	A1	A0	–

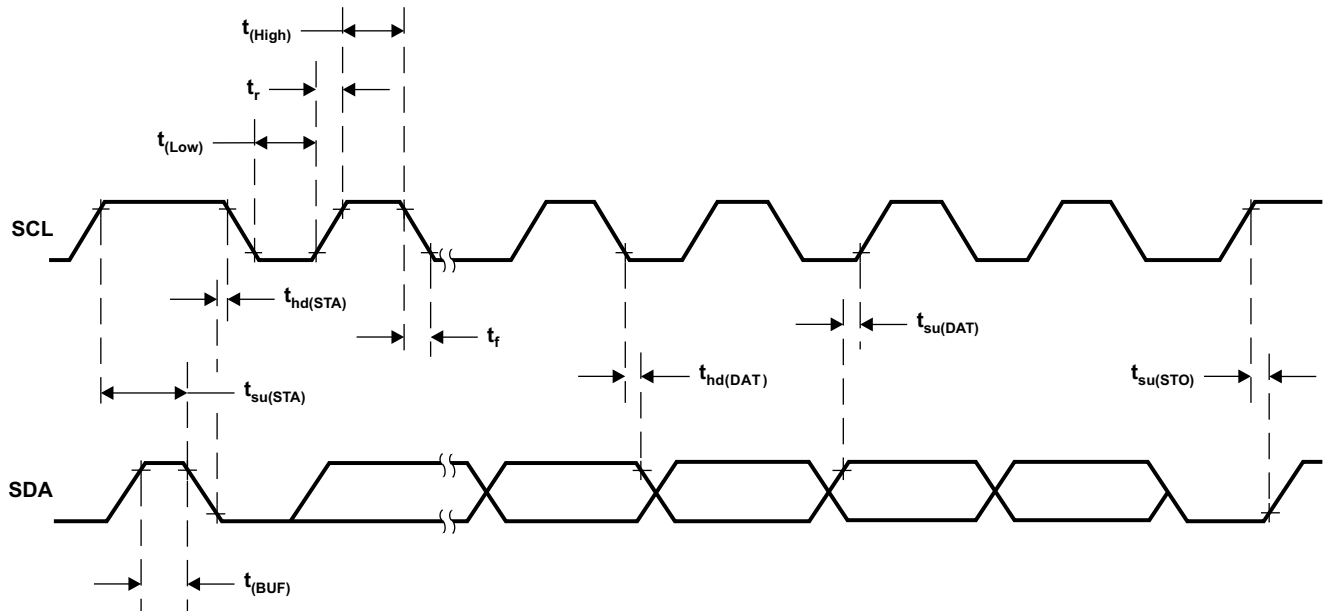
**Table 9. Description of Data Symbols**

SYMBOL	DESCRIPTION	DEFAULT
MA[1:0]	Address set bits (see <a href="#">Table 3, Address Selection</a> )	
POR	Power-on-reset flag POR set: power on POR reset: end-of-data transmission procedure	POR = 1
FL	In-lock flag PLL locked (FL = 1), unlocked (FL = 0)	
A[2:0]	Digital data of ADC (see <a href="#">Table 10, ADC Level</a> ) Bit P5 must be set to 0.	

**Table 10. ADC Level<sup>(1)</sup>**

A2	A1	A0	Voltage Applied on ADC Input
1	0	0	0.6 V <sub>CC</sub> to V <sub>CC</sub>
0	1	1	0.45 V <sub>CC</sub> to 0.6 V <sub>CC</sub>
0	1	0	0.3 V <sub>CC</sub> to 0.45 V <sub>CC</sub>
0	0	1	0.15 V <sub>CC</sub> to 0.3 V <sub>CC</sub>
0	0	0	0 V to 0.15 V <sub>CC</sub>

(1) Accuracy is  $0.03 \times V_{CC}$ .

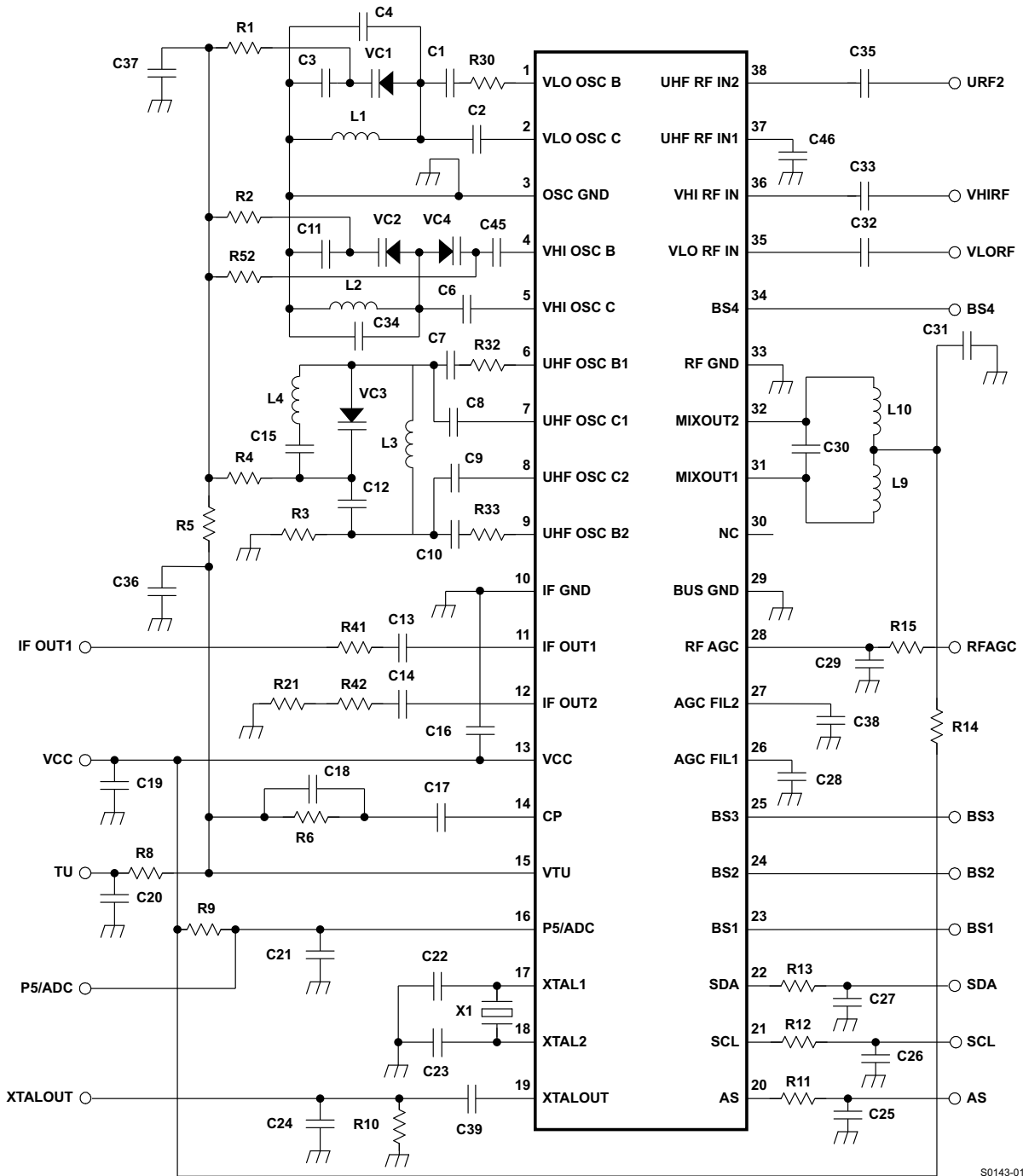


T0101-01

**Figure 19. I<sup>2</sup>C Timing Chart**

APPLICATION INFORMATION

Reference Measurement Circuit



S0143-01

NOTE: This application information is advisory and a performance-check is required for actual application circuits. TI assumes no responsibility for the consequences of the use of this circuit nor for any infringement of patent or patent rights of third parties which may result from its use.

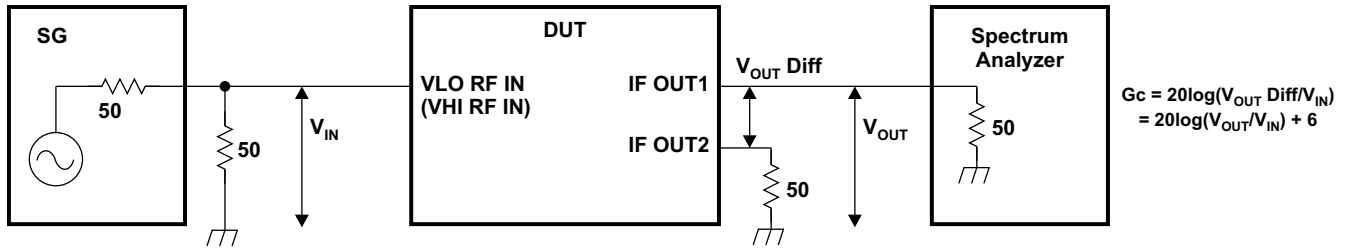
Figure 20. Reference Measurement Circuit

**APPLICATION INFORMATION (continued)**  
**Component Values for Measurement Circuit**

<b>PART NAME</b>	<b>VALUE</b>	<b>PART NAME</b>	<b>VALUE</b>
C1 (VLO OSCB)	1 pF	C39 (XTALOUT)	2.2 nF
C2 (VLO OSCC)	2 pF	C45 (VHI OSC)	7 pF
C3 (VLO OSC)	47 pF	C46 (URF1)	2.2 nF
C4 (VLO OSC)	Open	L1 (VLO OSC)	φ 3,0 mm, 7T, wire 0,32 mm
C6 (VHI OSCC)	5 pF	L2 (VHI OSC)	φ2,0 mm, 3T, wire 0,4 mm
C7 (UHF OSCB1)	1 pF	L3 (UHF OSC)	φ1,8 mm, 3T, wire 0,4 mm
C8 (UHF OSCC1)	1 pF	L4 (UHF OSC)	φ1,8 mm, 3T, wire 0,4 mm
C9 (UHF OSCC2)	1 pF	L9 (MIXOUT)	680 nH (LK1608R68K-T)
C10 (UHF OSCB2)	1 pF	L10 (MIXOUT)	680 nH (LK1608R68K-T)
C11 (VHI OSC)	51 pF	R1 (VLO OSC)	3.3 kΩ
C12 (UHF OSC)	10 pF	R2 (VHI OSC)	3.3 kΩ
C13 (IFOUT)	2.2 nF	R3 (UHF OSC)	2.2 kΩ
C14 (IFOUT)	2.2 nF	R4 (UHF OSC)	1 kΩ
C15 (UHF OSC)	100 pF	R5 (VTU)	3 kΩ
C16 (VCC)	4.7 nF	R6 (CP)	47 kΩ
C17 (CP)	0.01 μF/50 V	R8 (VTU)	20 kΩ
C18 (CP)	22 pF/50 V	R9 (P5/ADC)	Open
C19 (VCC)	2.2 nF	R10 (XTALOUT)	5.1 kΩ
C20 (VTU)	2.2 nF/50 V	R11 (AS)	330 Ω
C21 (P5/ADC)	Open	R12 (SCL)	330 Ω
C22 (XTAL)	27 pF	R13 (SDA)	330 Ω
C23 (XTAL)	27 pF	R14 (VCC)	0
C24 (XTALOUT)	10 pF	R15 (RFAGC)	0
C25 (AS)	Open	R21 (IFOUT)	1 kΩ
C26 (SCL)	Open	R30 (VLO OSC)	10
C27 (SDA)	Open	R32 (UHF OSC)	0
C28 (AGCFIL1)	0.1 μF	R33 (UHF OSC)	0
C29 (RFAGC)	0.15 μF	R41 (IFOUT)	1 kΩ
C30 (MIXOUT)	5 pF	R42 (IFOUT)	0
C31 (MIXOUT)	2.2 nF	R52 (VHI OSC)	3.3 kΩ
C32 (VLORF)	2.2 nF	U1	SN761662
C33 (VHIRF)	2.2 nF	VC1 (VLO OSC)	MA2S374
C34 (VHI OSC)	0.5 pF	VC2 (VHI OSC)	MA2S374
C35 (URF2)	2.2 nF	VC3 (UHF OSC)	MA2S372
C36 (VTU)	Open	VC4 (VHI OSC)	MA2S372
C37 (VTU)	2.2 nF/50 V	X1	4-MHz crystal
C38 (RGCFIL2)	Open		

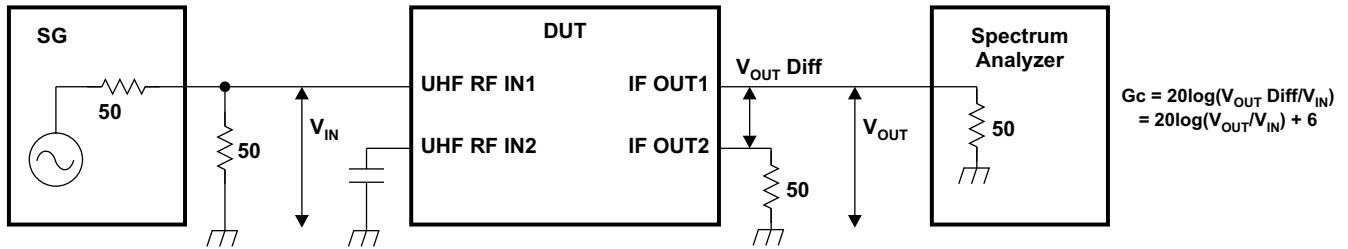


Test Circuits



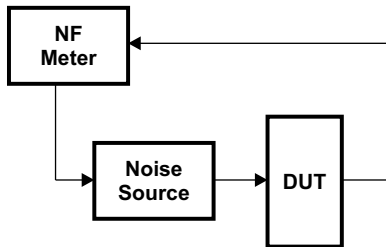
S0144-01

Figure 21. VHF-Conversion Gain-Measurement Circuit



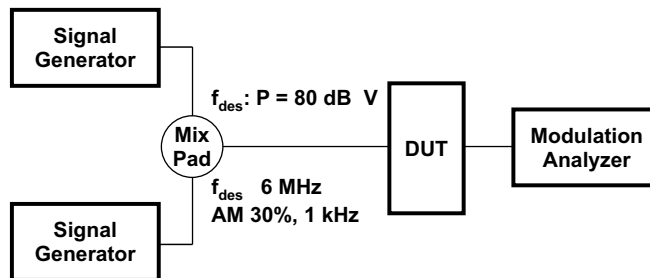
S0145-01

Figure 22. UHF-Conversion Gain-Measurement Circuit



B0090-01

Figure 23. Noise-Figure Measurement Circuit



B0091-01

Figure 24. 1% Cross-Modulation Distortion Measurement Circuit

TYPICAL CHARACTERISTICS

Band-Switch Driver Output Voltage (BS1–BS4)

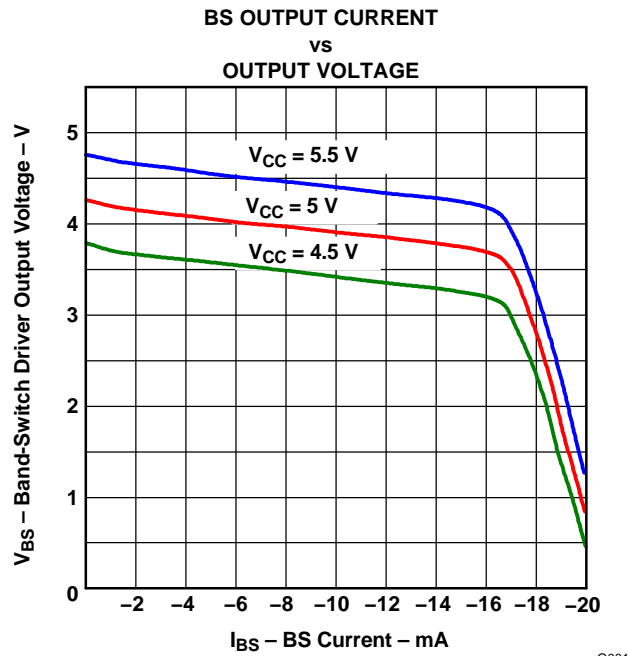


Figure 25. Band-Switch Driver Output Voltage

S-Parameter

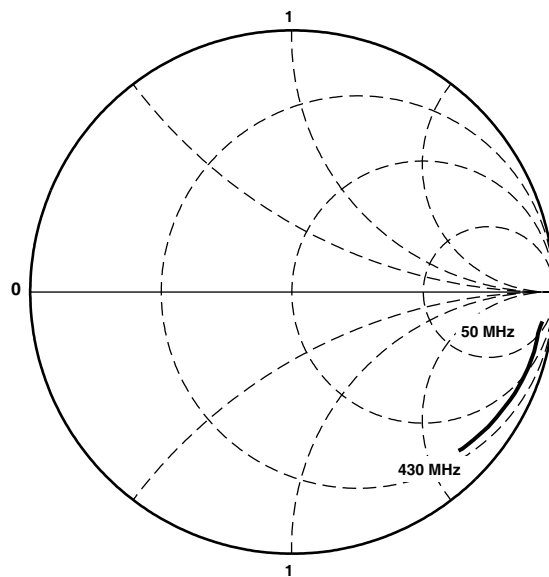
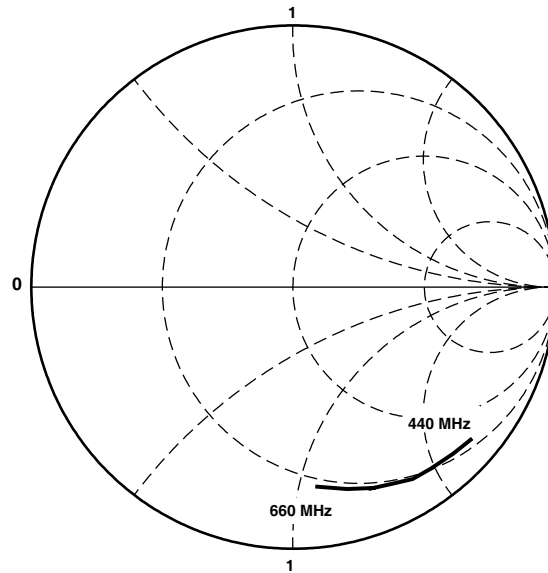


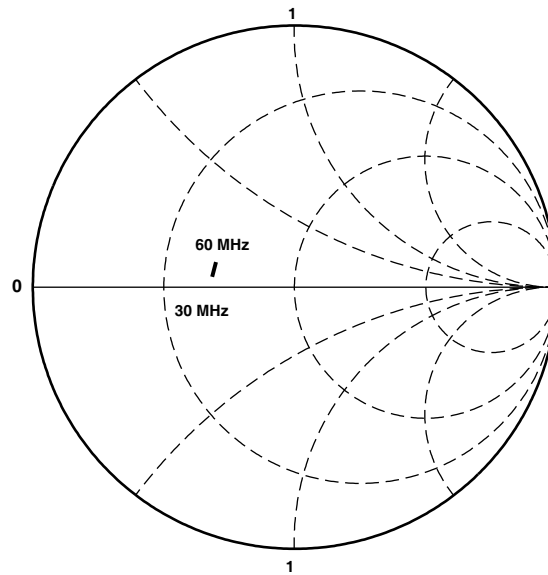
Figure 26. VLO RFIN, VHI RFIN

TYPICAL CHARACTERISTICS (continued)



M0047-02

Figure 27. UHF RFIN



M0047-03

Figure 28. IFOUT

**PACKAGING INFORMATION**

Orderable Device	Status <sup>(1)</sup>	Package Type	Package Drawing	Pins	Package Qty	Eco Plan <sup>(2)</sup>	Lead/Ball Finish	MSL Peak Temp <sup>(3)</sup>
SN761662DBT	ACTIVE	SM8	DBT	38	50	TBD	Call TI	Call TI
SN761662DBTR	ACTIVE	SM8	DBT	38	2000	Green (RoHS & no Sb/Br)	CU NIPDAU	Level-2-260C-1 YEAR
SN761662DBTRG4	ACTIVE	SM8	DBT	38	2000	Green (RoHS & no Sb/Br)	CU NIPDAU	Level-2-260C-1 YEAR

<sup>(1)</sup> The marketing status values are defined as follows:

**ACTIVE:** Product device recommended for new designs.

**LIFEBUY:** TI has announced that the device will be discontinued, and a lifetime-buy period is in effect.

**NRND:** Not recommended for new designs. Device is in production to support existing customers, but TI does not recommend using this part in a new design.

**PREVIEW:** Device has been announced but is not in production. Samples may or may not be available.

**OBSOLETE:** TI has discontinued the production of the device.

<sup>(2)</sup> Eco Plan - The planned eco-friendly classification: Pb-Free (RoHS) or Green (RoHS & no Sb/Br) - please check <http://www.ti.com/productcontent> for the latest availability information and additional product content details.

**TBD:** The Pb-Free/Green conversion plan has not been defined.

**Pb-Free (RoHS):** TI's terms "Lead-Free" or "Pb-Free" mean semiconductor products that are compatible with the current RoHS requirements for all 6 substances, including the requirement that lead not exceed 0.1% by weight in homogeneous materials. Where designed to be soldered at high temperatures, TI Pb-Free products are suitable for use in specified lead-free processes.

**Green (RoHS & no Sb/Br):** TI defines "Green" to mean Pb-Free (RoHS compatible), and free of Bromine (Br) and Antimony (Sb) based flame retardants (Br or Sb do not exceed 0.1% by weight in homogeneous material)

<sup>(3)</sup> MSL, Peak Temp. -- The Moisture Sensitivity Level rating according to the JEDEC industry standard classifications, and peak solder temperature.

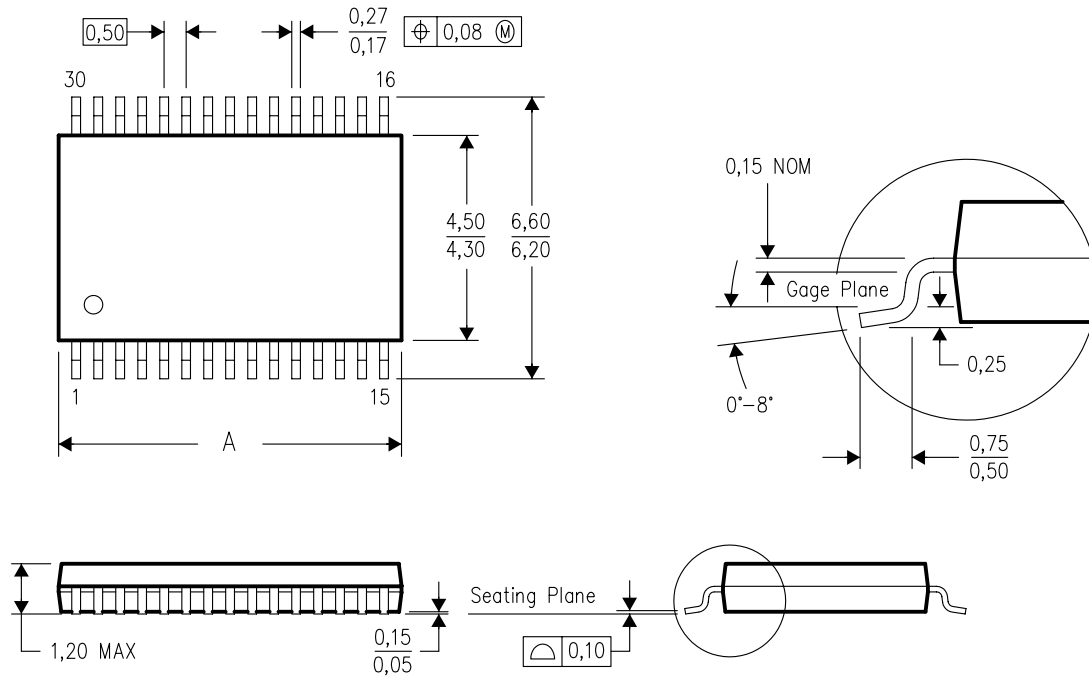
**Important Information and Disclaimer:**The information provided on this page represents TI's knowledge and belief as of the date that it is provided. TI bases its knowledge and belief on information provided by third parties, and makes no representation or warranty as to the accuracy of such information. Efforts are underway to better integrate information from third parties. TI has taken and continues to take reasonable steps to provide representative and accurate information but may not have conducted destructive testing or chemical analysis on incoming materials and chemicals. TI and TI suppliers consider certain information to be proprietary, and thus CAS numbers and other limited information may not be available for release.

In no event shall TI's liability arising out of such information exceed the total purchase price of the TI part(s) at issue in this document sold by TI to Customer on an annual basis.

DBT (R-PDSO-G\*\*)

30 PINS SHOWN

PLASTIC SMALL-OUTLINE PACKAGE



DIM \ PINS **	20	24	28	30	38	44	50
A MAX	5,10	6,60	7,90	7,90	9,80	11,40	12,60
A MIN	4,90	6,40	7,70	7,70	9,60	11,20	12,40

4073252/F 09/05

- NOTES:
- A. All linear dimensions are in millimeters.
  - B. This drawing is subject to change without notice.
  - C. Body dimensions do not include mold flash or protrusion.
  - D. Falls within JEDEC MO-153 except 44 pin package length.

## IMPORTANT NOTICE

Texas Instruments Incorporated and its subsidiaries (TI) reserve the right to make corrections, modifications, enhancements, improvements, and other changes to its products and services at any time and to discontinue any product or service without notice. Customers should obtain the latest relevant information before placing orders and should verify that such information is current and complete. All products are sold subject to TI's terms and conditions of sale supplied at the time of order acknowledgment.

TI warrants performance of its hardware products to the specifications applicable at the time of sale in accordance with TI's standard warranty. Testing and other quality control techniques are used to the extent TI deems necessary to support this warranty. Except where mandated by government requirements, testing of all parameters of each product is not necessarily performed.

TI assumes no liability for applications assistance or customer product design. Customers are responsible for their products and applications using TI components. To minimize the risks associated with customer products and applications, customers should provide adequate design and operating safeguards.

TI does not warrant or represent that any license, either express or implied, is granted under any TI patent right, copyright, mask work right, or other TI intellectual property right relating to any combination, machine, or process in which TI products or services are used. Information published by TI regarding third-party products or services does not constitute a license from TI to use such products or services or a warranty or endorsement thereof. Use of such information may require a license from a third party under the patents or other intellectual property of the third party, or a license from TI under the patents or other intellectual property of TI.

Reproduction of information in TI data books or data sheets is permissible only if reproduction is without alteration and is accompanied by all associated warranties, conditions, limitations, and notices. Reproduction of this information with alteration is an unfair and deceptive business practice. TI is not responsible or liable for such altered documentation.

Resale of TI products or services with statements different from or beyond the parameters stated by TI for that product or service voids all express and any implied warranties for the associated TI product or service and is an unfair and deceptive business practice. TI is not responsible or liable for any such statements.

Following are URLs where you can obtain information on other Texas Instruments products and application solutions:

<b>Products</b>		<b>Applications</b>	
Amplifiers	<a href="http://amplifier.ti.com">amplifier.ti.com</a>	Audio	<a href="http://www.ti.com/audio">www.ti.com/audio</a>
Data Converters	<a href="http://dataconverter.ti.com">dataconverter.ti.com</a>	Automotive	<a href="http://www.ti.com/automotive">www.ti.com/automotive</a>
DSP	<a href="http://dsp.ti.com">dsp.ti.com</a>	Broadband	<a href="http://www.ti.com/broadband">www.ti.com/broadband</a>
Interface	<a href="http://interface.ti.com">interface.ti.com</a>	Digital Control	<a href="http://www.ti.com/digitalcontrol">www.ti.com/digitalcontrol</a>
Logic	<a href="http://logic.ti.com">logic.ti.com</a>	Military	<a href="http://www.ti.com/military">www.ti.com/military</a>
Power Mgmt	<a href="http://power.ti.com">power.ti.com</a>	Optical Networking	<a href="http://www.ti.com/opticalnetwork">www.ti.com/opticalnetwork</a>
Microcontrollers	<a href="http://microcontroller.ti.com">microcontroller.ti.com</a>	Security	<a href="http://www.ti.com/security">www.ti.com/security</a>
		Telephony	<a href="http://www.ti.com/telephony">www.ti.com/telephony</a>
		Video & Imaging	<a href="http://www.ti.com/video">www.ti.com/video</a>
		Wireless	<a href="http://www.ti.com/wireless">www.ti.com/wireless</a>

Mailing Address: Texas Instruments  
Post Office Box 655303 Dallas, Texas 75265