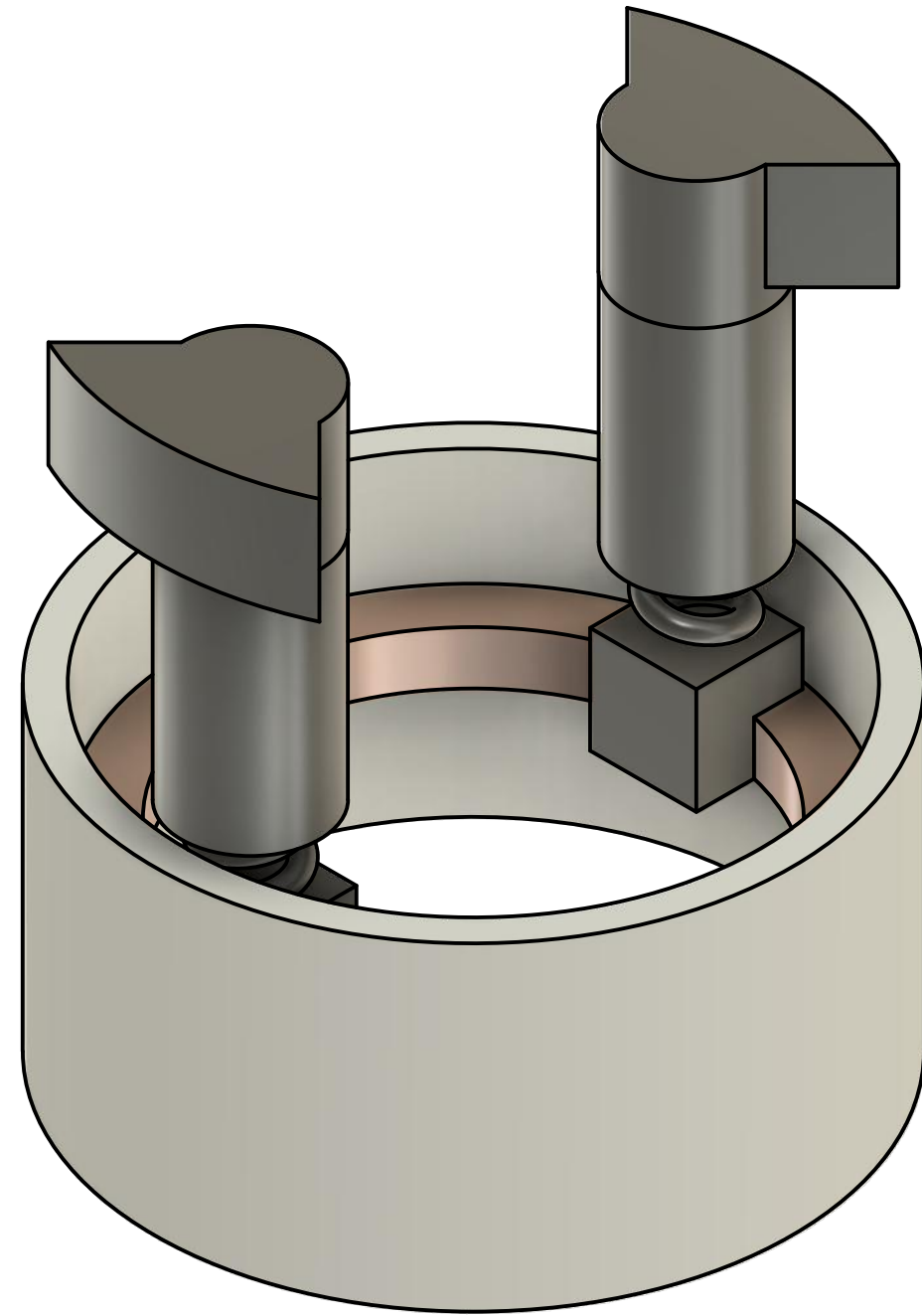
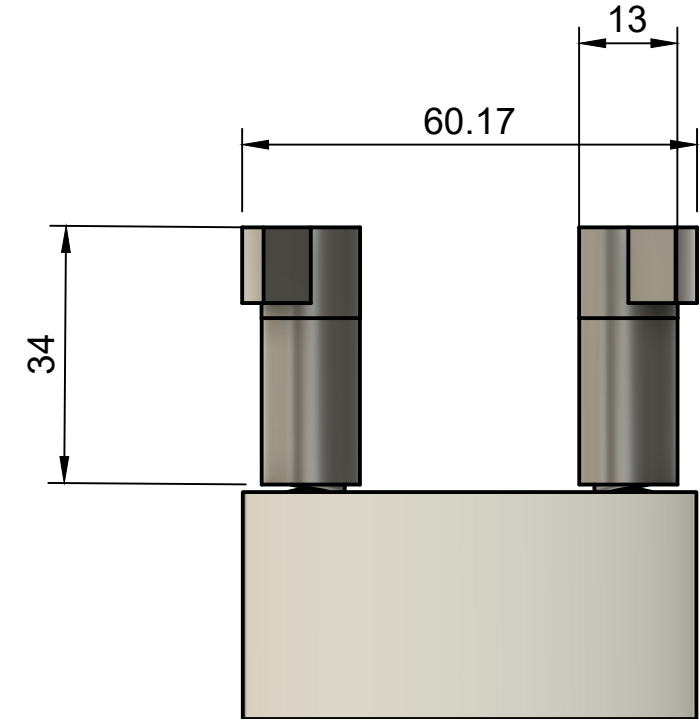
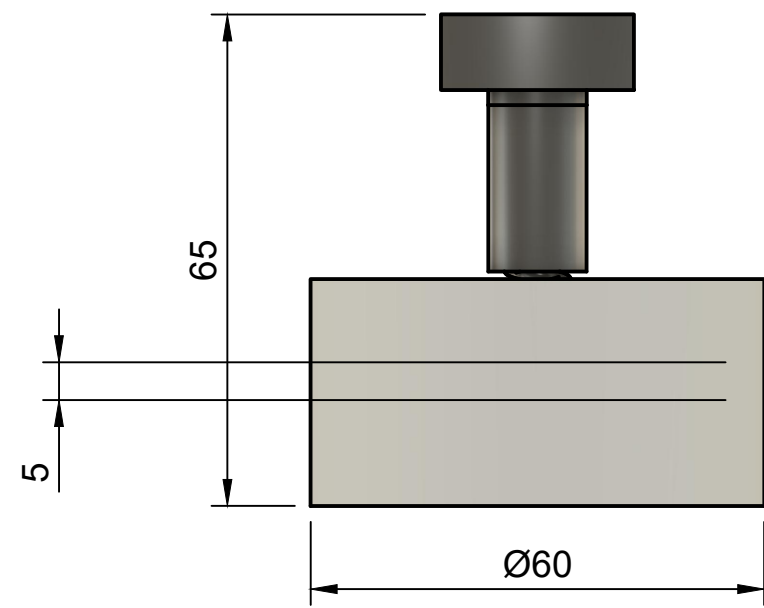
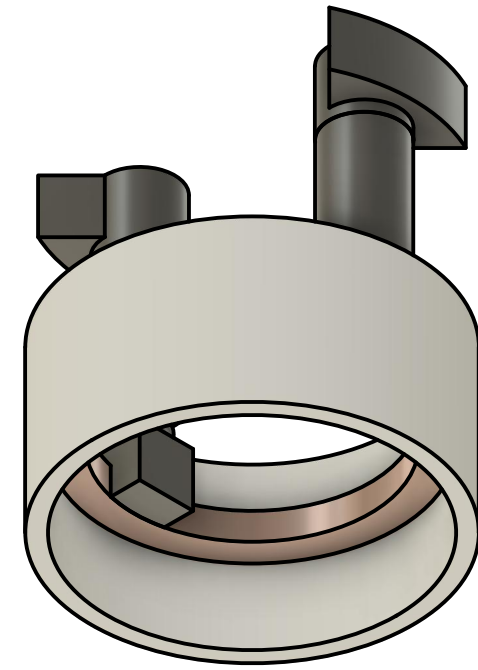
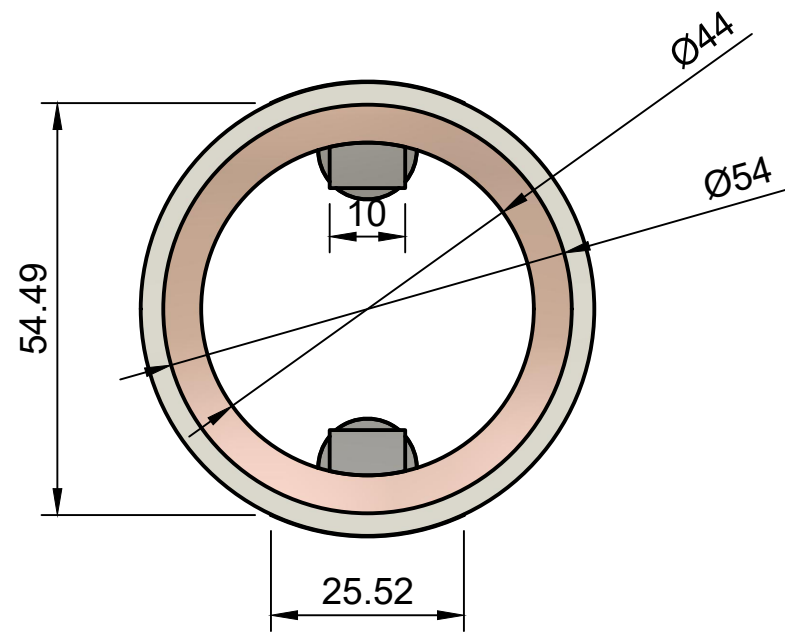


Slip Ring System



| | | | |
|-------|---------------------|---|-----------------|
| Dept. | Technical reference | Created by POIREINGANBALOKTONGBAM 30-04-2024 | Approved by |
| | | Document type | Document status |
| | | Title SP_Energia_Prototype | DWG No. |
| | | Rev. | Date of issue |
| | | | Sheet 1/2 |



| | | | |
|-------|---------------------|--|-----------------|
| Dept. | Technical reference | Created by POIREINGANBA LOKTONGBAM 30-04-2024 | Approved by |
| | | Document type | Document status |
| | | Title SP_Energia_Prototype | DWG No. |
| Rev. | Date of issue | Sheet 2/2 | |