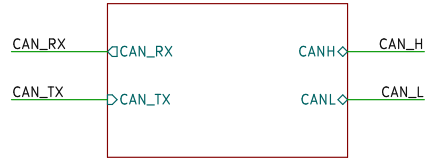


### POWER SUPPLY



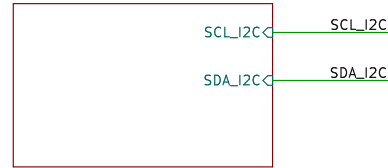
File: untitled.kicad\_sch

### CAN



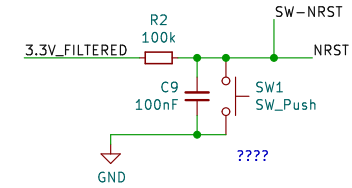
File: can.kicad\_sch

### SENSOR

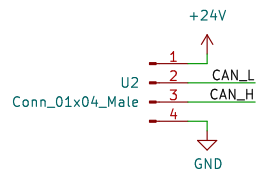
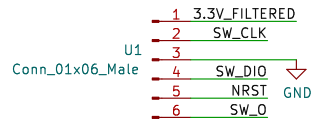


File: sensor.kicad\_sch

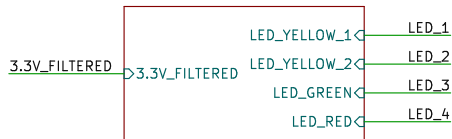
### RESET



### SWD

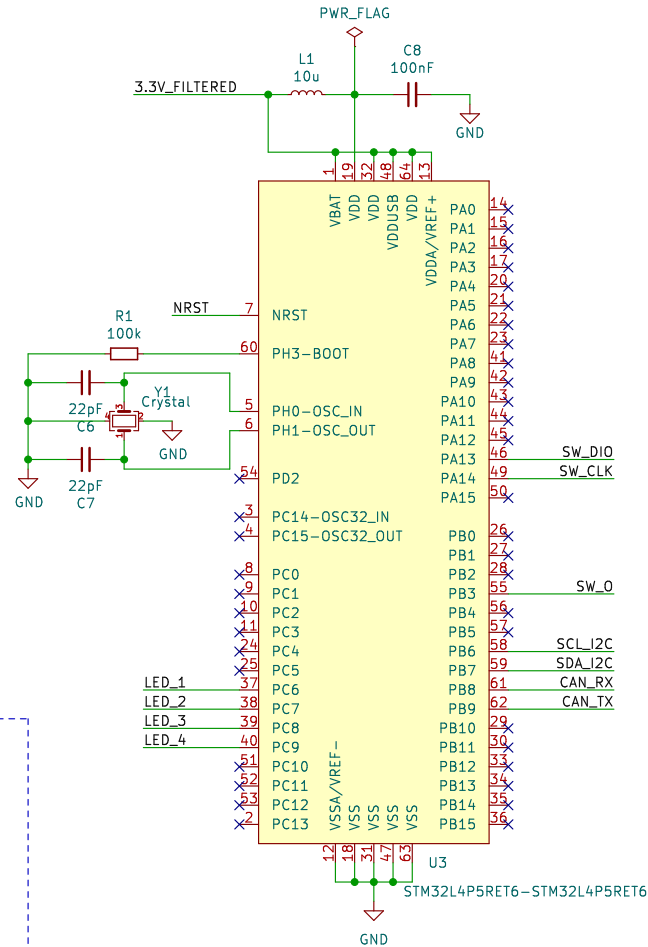
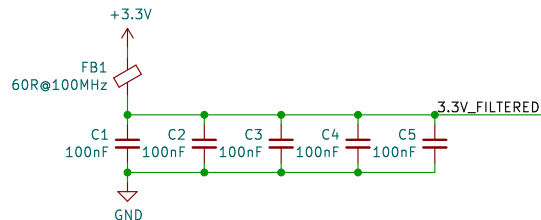


### LED



File: led.kicad\_sch

### POWER SUPPLY FILTER



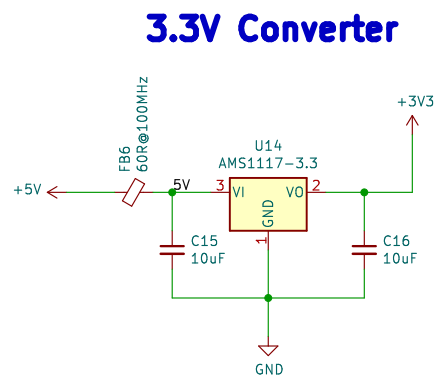
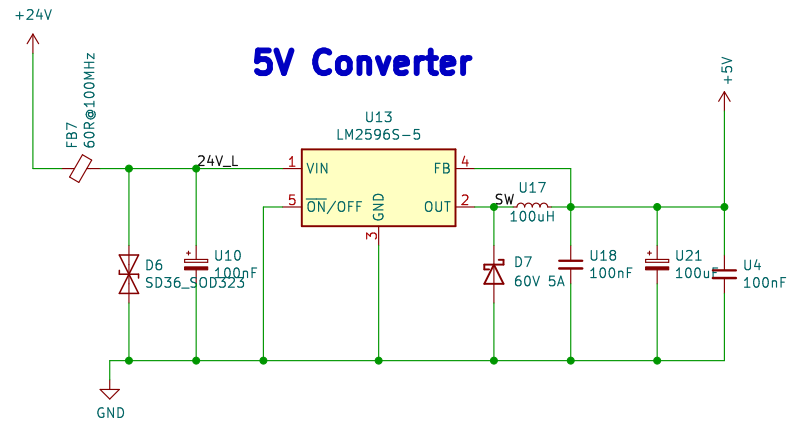
**Julia Watowska**

Sheet: /  
File: PUTM\_EV\_SWPS.kicad\_sch

### Title: PUT Motorsport EV SWPS

Size: A4 Date:  
KiCad E.D.A. kicad (6.0.8)

Rev:  
Id: 1/5



**Julia Watowska**

Sheet: /POWER SUPPLY/

File: untitled.kicad\_sch

**Title: PUT Motorsport EV SWPS**

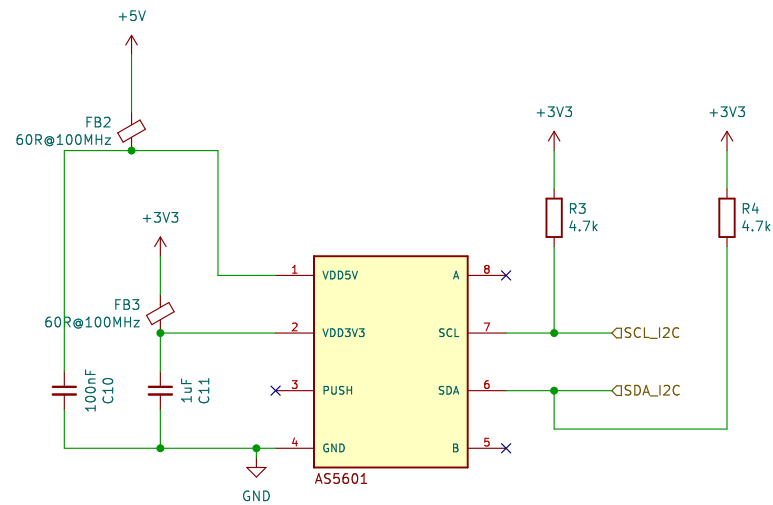
Size: A4

Date:

Rev:

KiCad E.D.A. kicad (6.0.8)

Id: 2/5



**Julia Watowska**

Sheet: /SENSOR/

File: sensor.kicad\_sch

**Title: PUT Motorsport EV SWPS**

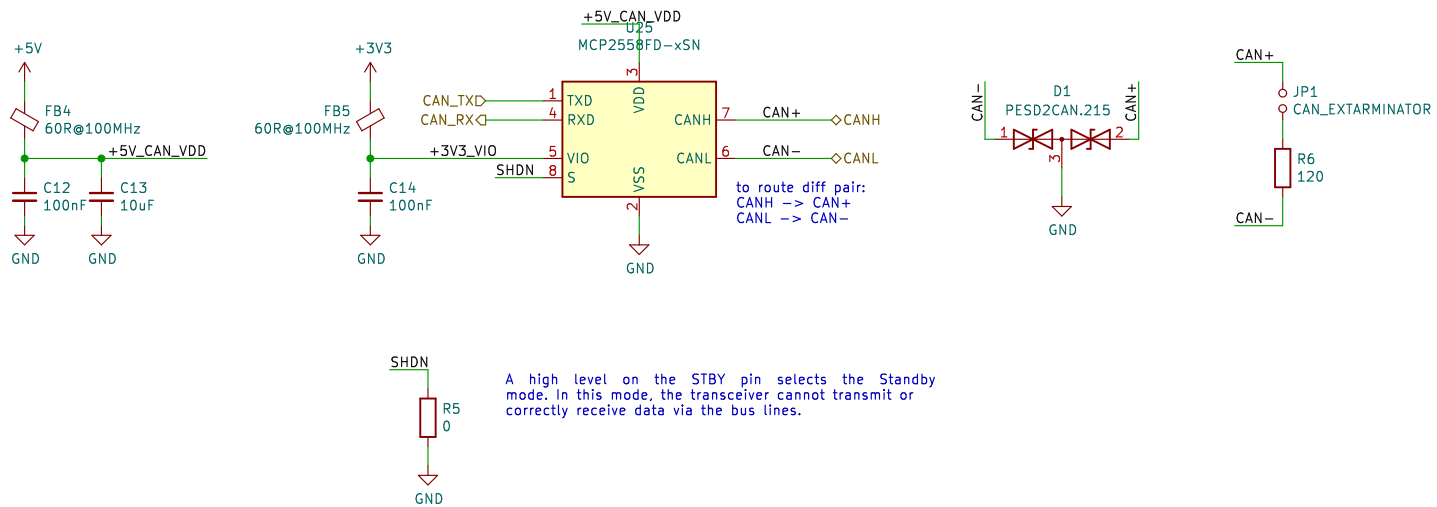
Size: A4

Date:

**Rev:**

KiCad E.D.A. kicad (6.0.8)

Id: 3/5



**Julia Watowska**

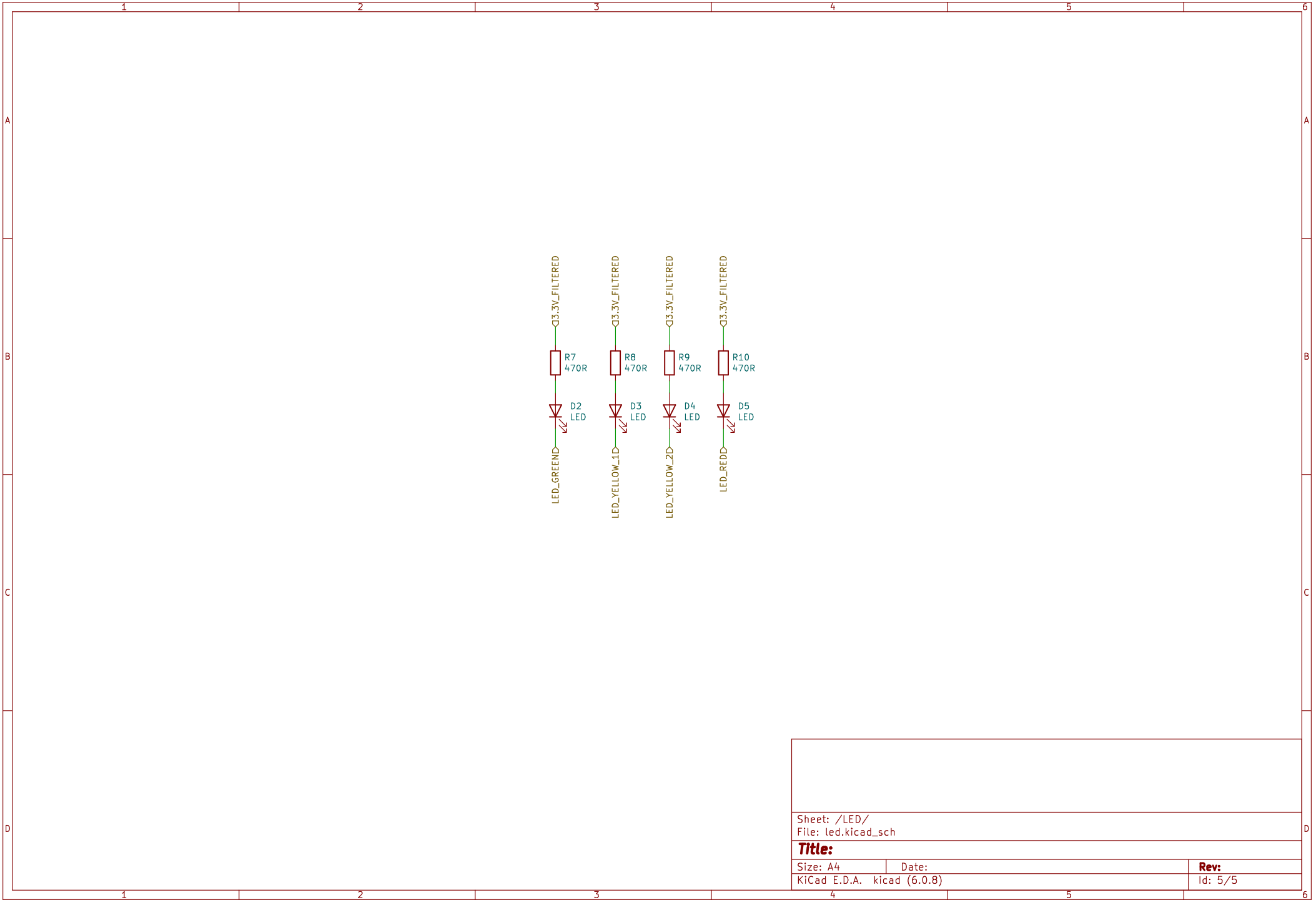
Sheet: /CAN/  
File: can.kicad\_sch

**Title: PUT Motorsport EV SWPS**

Size: A4  
KiCad E.D.A. kicad (6.0.8)

Date:

**Rev:**  
Id: 4/5



Sheet: /LED/		
File: led.kicad_sch		
<b>Title:</b>		
Size: A4	Date:	<b>Rev:</b>
KiCad E.D.A. kicad (6.0.8)		Id: 5/5