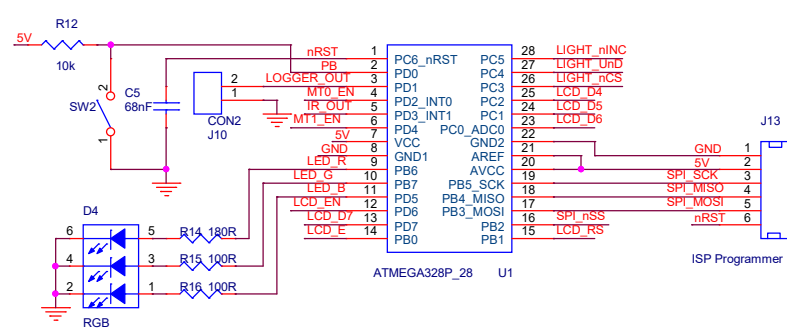
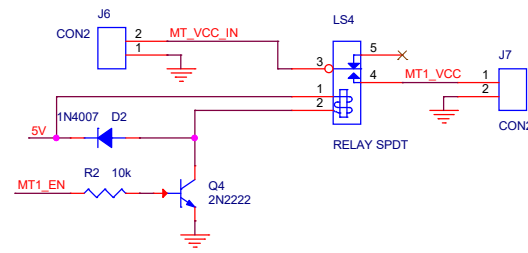


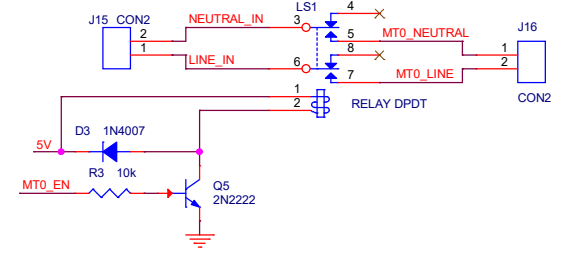
MPU



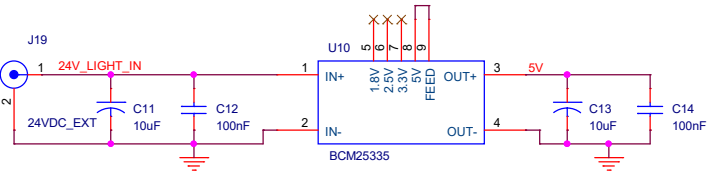
Monitor B Control



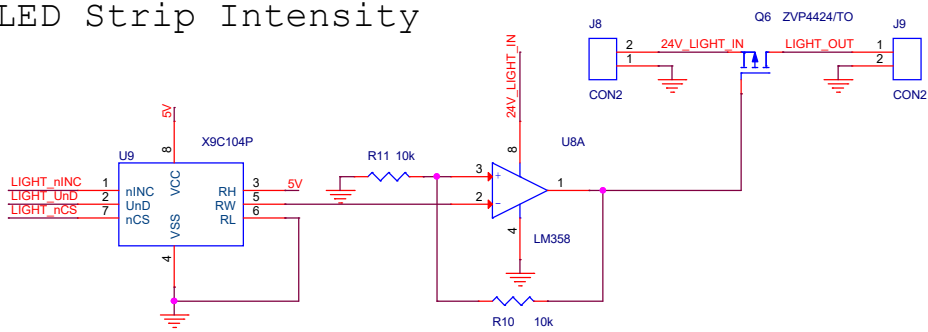
Monitor A Control



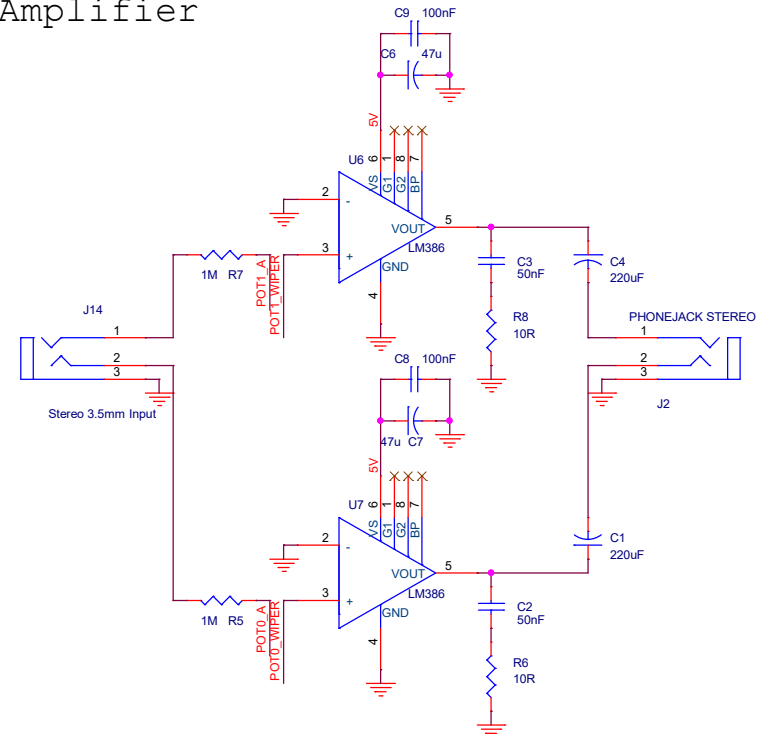
PSU



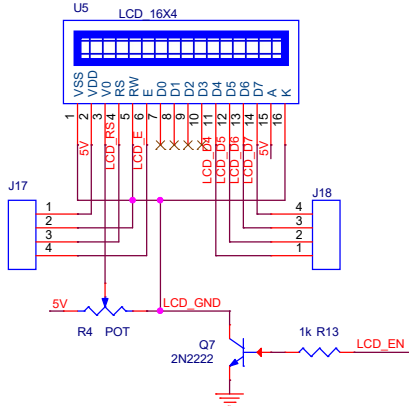
LED Strip Intensity



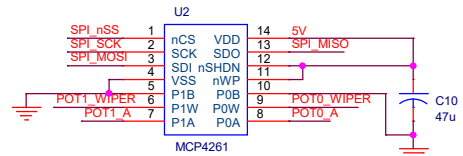
Stereo Amplifier



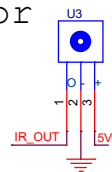
16 x 4 LCD



Digital Volume Control



IR Sensor



Title			<Title>
Size	Document Number	Rev	
Custom1		V1.0	
Date:	Wednesday, August 07, 2019	Sheet	1 of 1