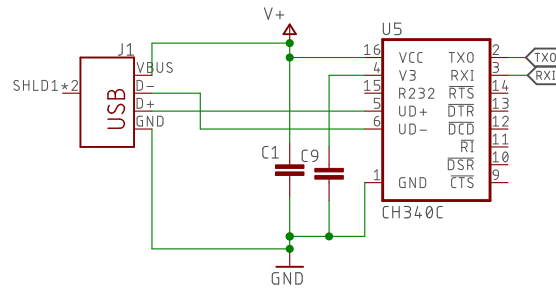
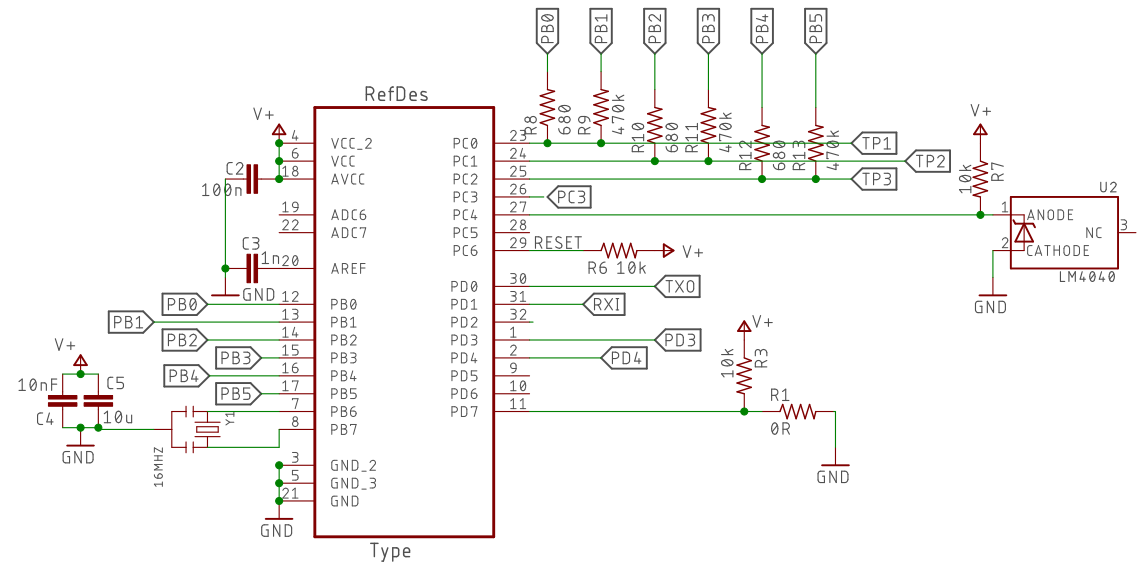


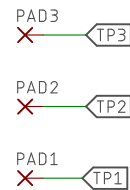
USB to Serial Converter



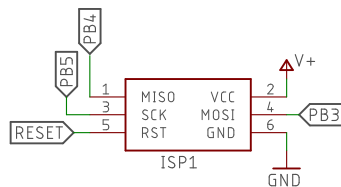
MCU Connections (ATMega328p)



Test Pads



ISP Programming Header



ctster.akshaybaweja.com

TITLE: USB Component Tester

Document Number: v1.1

REV:

Date: August 4, 2020

Sheet: 1/1