

NOTES:

VOLTMETER 1 : SIMPLE
 VOLTMETER 2 : IN AMMETER MODE (10X GAIN)

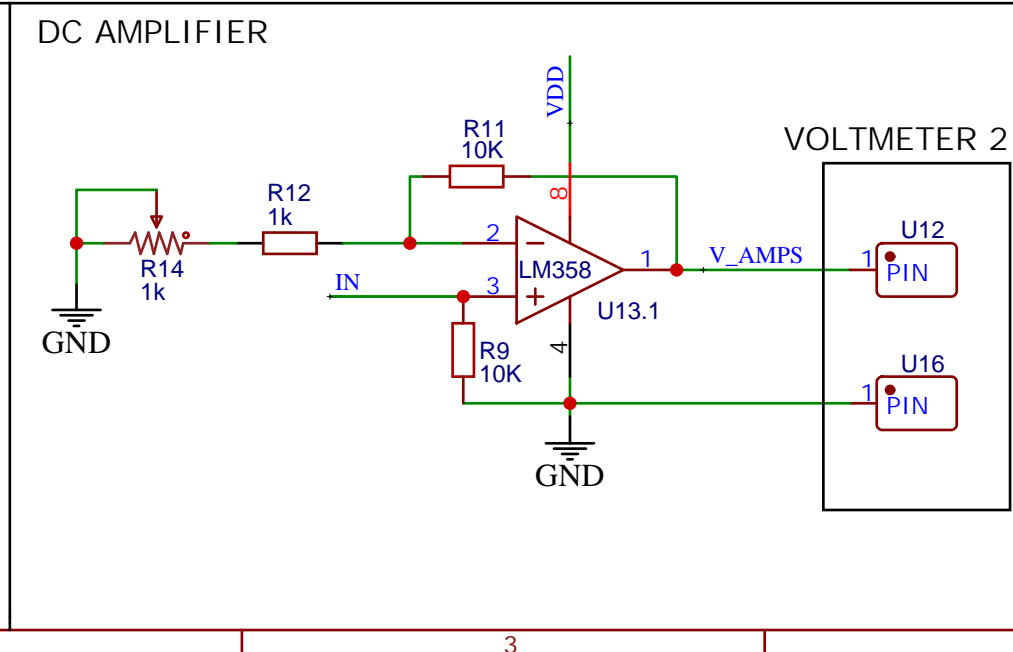
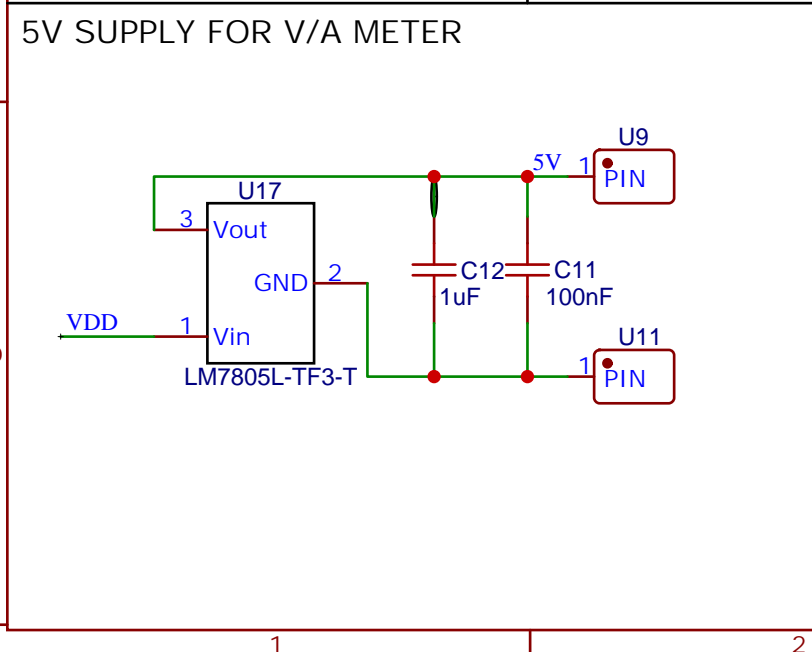
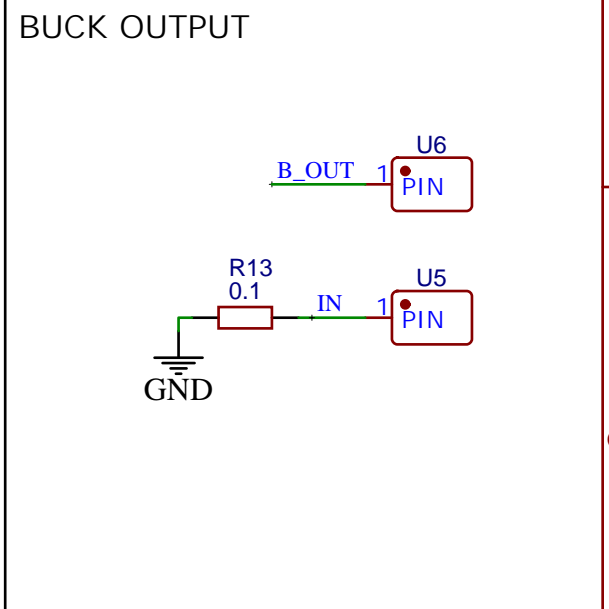
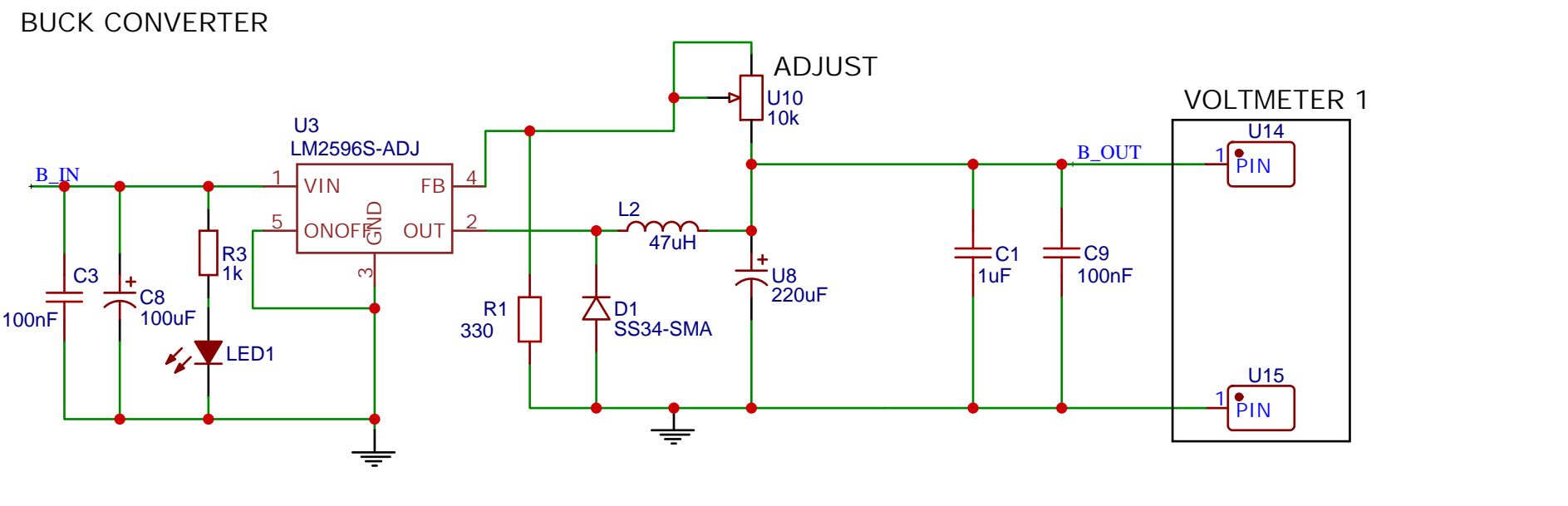
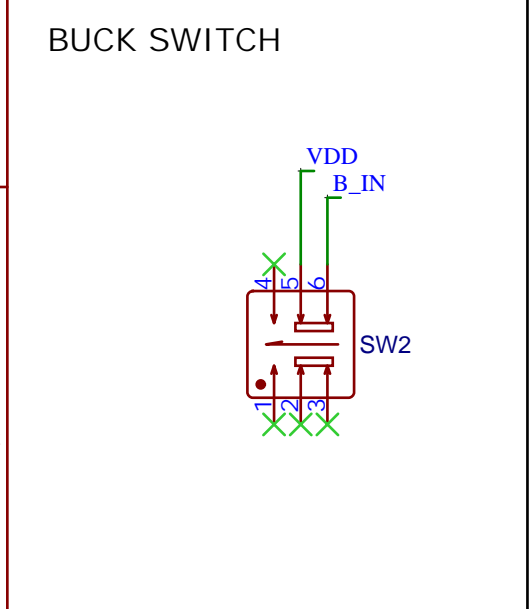
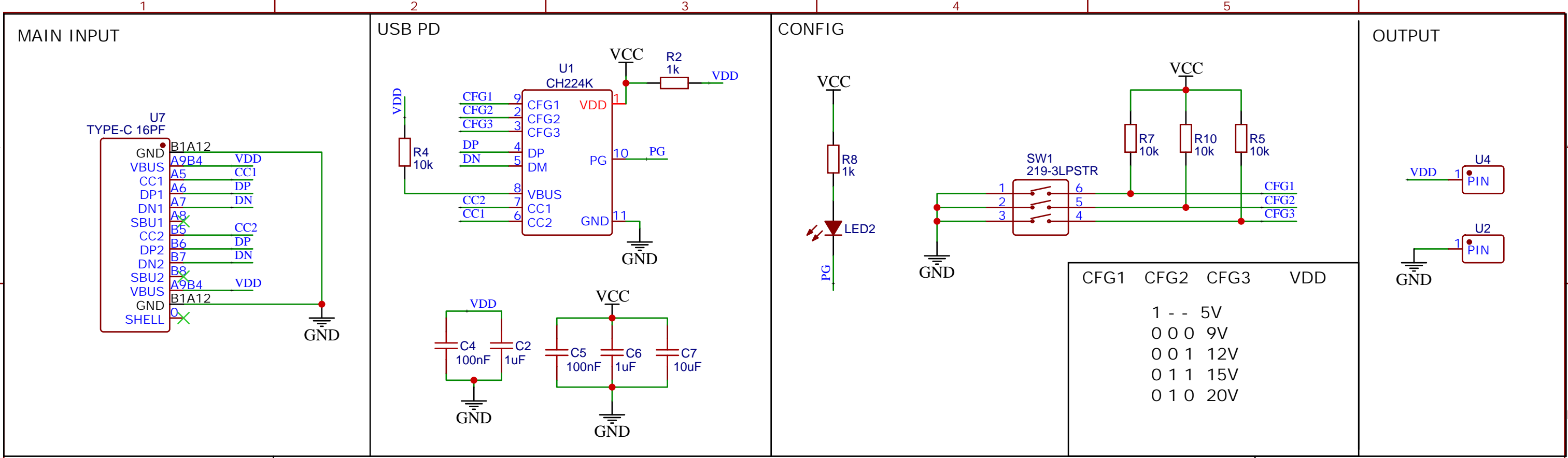
VOLTMETER1: Simple Voltmeter with 3 wire input, two measuring terminal and one power input
 AMMETER: VOLTMETER 2, USED AS AMMETER
 VOLTMETER AS AMMETER SCALE: 10V MEANS: 1A
 20V MEANS: 2A
 MAX RANGE 3A

TITLE: Sheet_1

Company: Your Company
 Date: 2024-10-10 Drawn By: sagar saini

REV: 1.0
 Sheet: 1/1





NOTES:

VOLTMETER 1 : SIMPLE
 VOLTMETER 2 : IN AMMETER MODE (10X GAIN)

VOLTMETER1: Simple Voltmeter with 3 wire input, two measuring terminal and one power input
 AMMETER: VOLTMETER 2, USED AS AMMETER
 VOLTMETER AS AMMETER SCALE: 10V MEANS: 1A
 20V MEANS: 2A
 MAX RANGE 3A

TITLE: Sheet_1

REV: 1.0

Company: Your Company

Date: 2024-10-10 **Drawn By:** sagar saini

Sheet: 1/1

