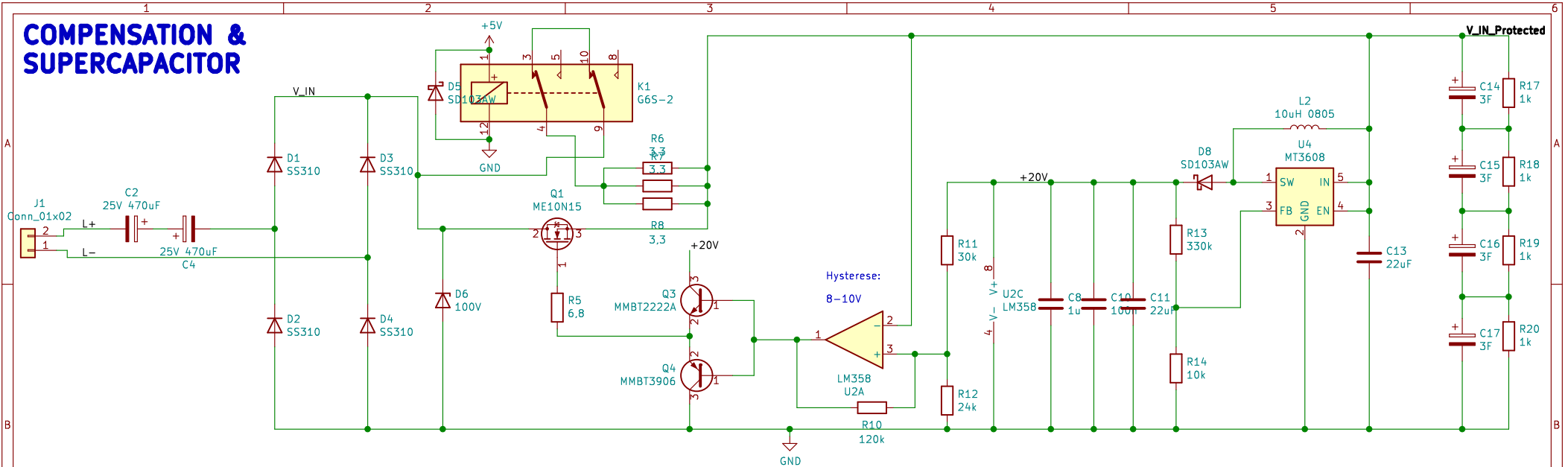
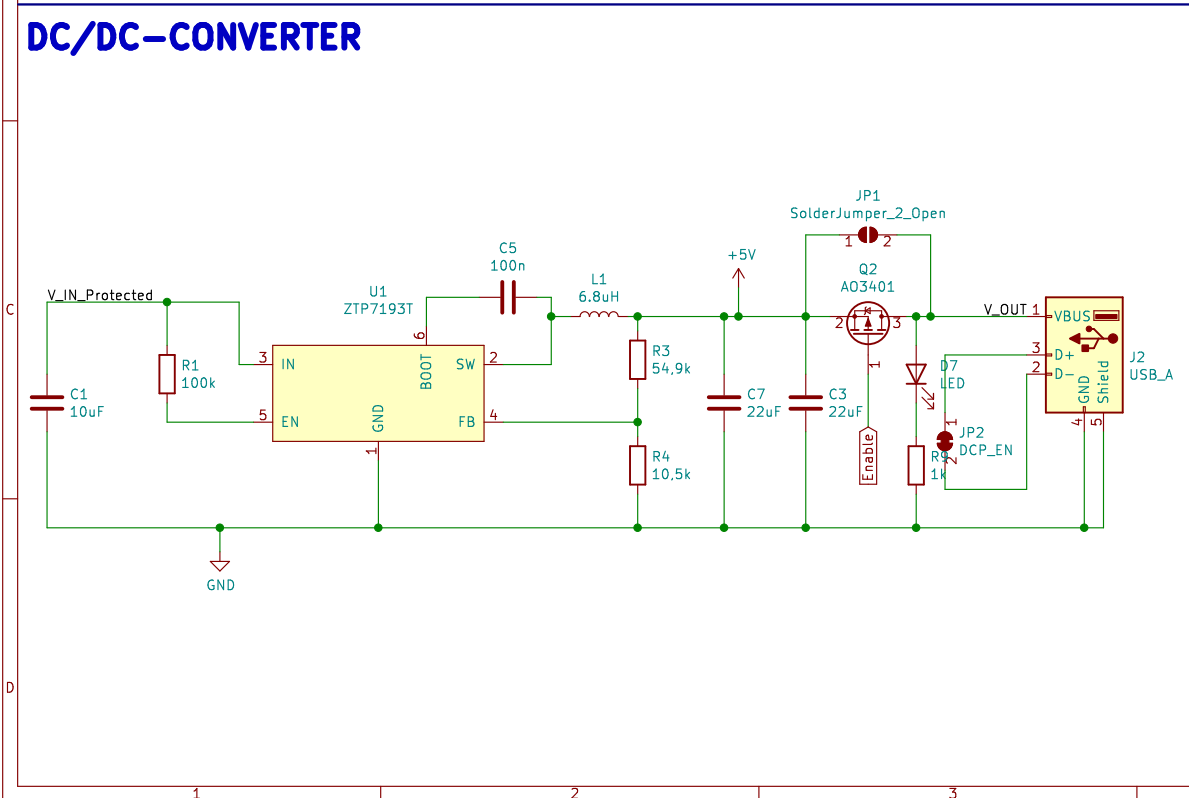


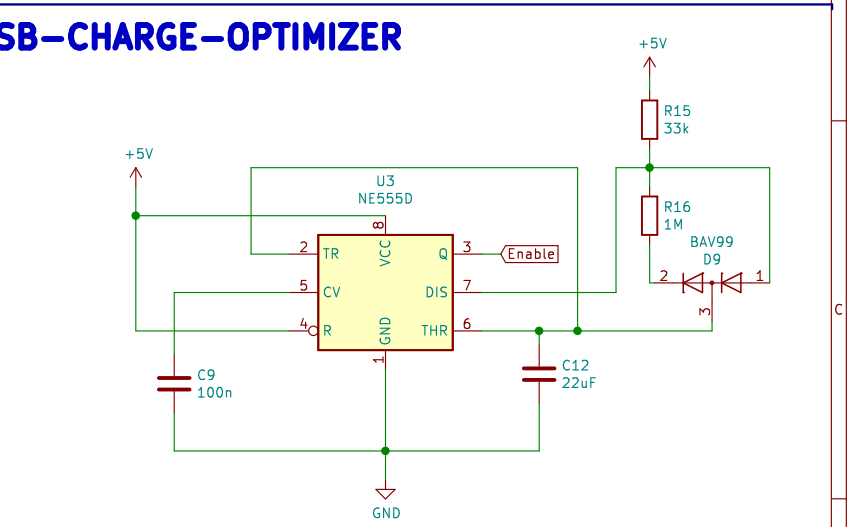
COMPENSATION & SUPERCAPACITOR



DC/DC-CONVERTER



USB-CHARGE-OPTIMIZER



Vulcman.de // Johannes Rostek

Sheet: /
File: KiCad_V2.sch

Title: Fahrradlader Version 3.1

Size: A4 Date: 2022-01-19

KiCad E.D.A. kicad (5.1.6)-1

Rev: 1

Id: 1/1