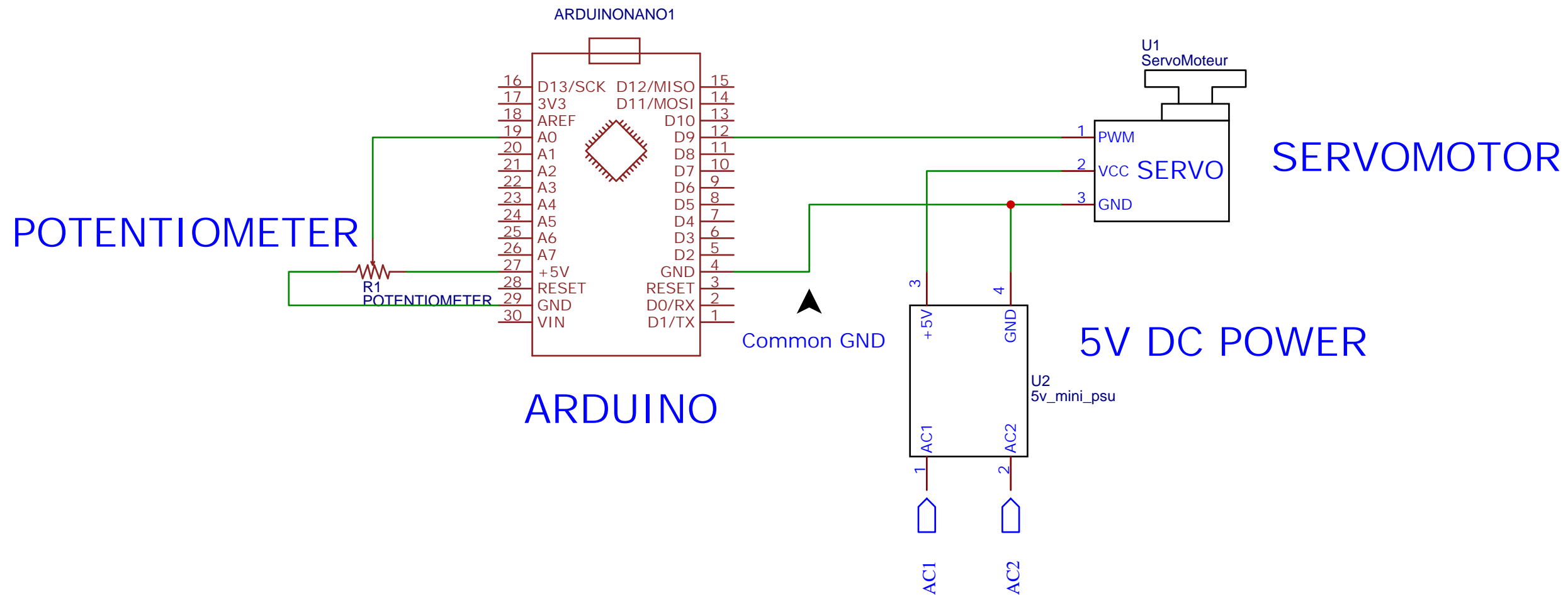


# SERVOMOTOR CONTROL



TITLE: Sheet_1	REV: 1.0
Company: Your Company	Sheet: 1/1
Date: 2020-07-09	Drawn By: BEE_MB