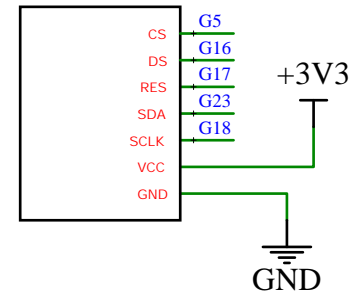
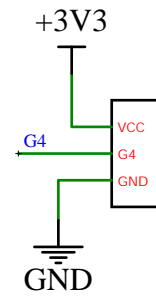


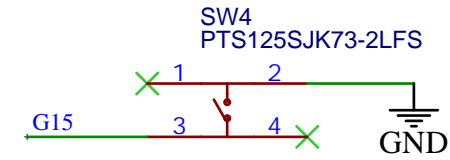
OLED DISPLAY



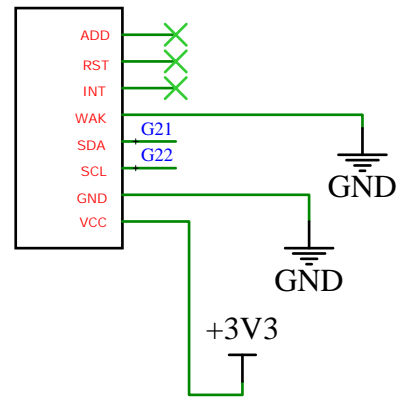
DHT22 SENSOR



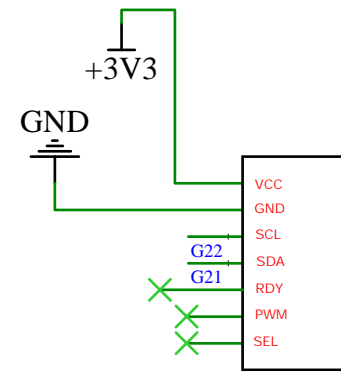
TEMP BUTTON



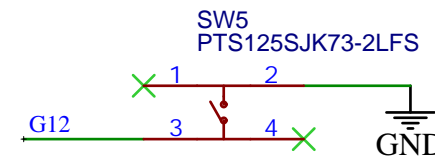
CCS811 SENSOR



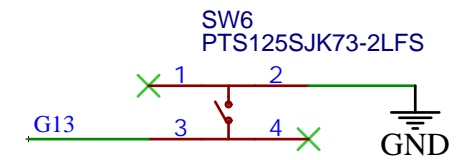
SCD30 SENSOR



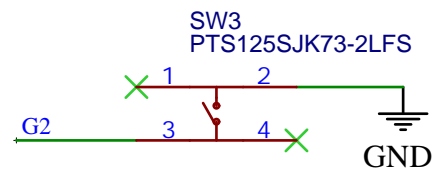
HUMIDITY BUTTON



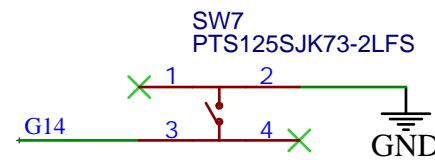
TVOC BUTTON



ALL SENSOR BUTTON



CO2 BUTTON



TITLE: Weather Station Wiring Schematic		REV: 1.0
	Company:	Sheet: 1/1
	Date: 2024-08-25	Drawn By: