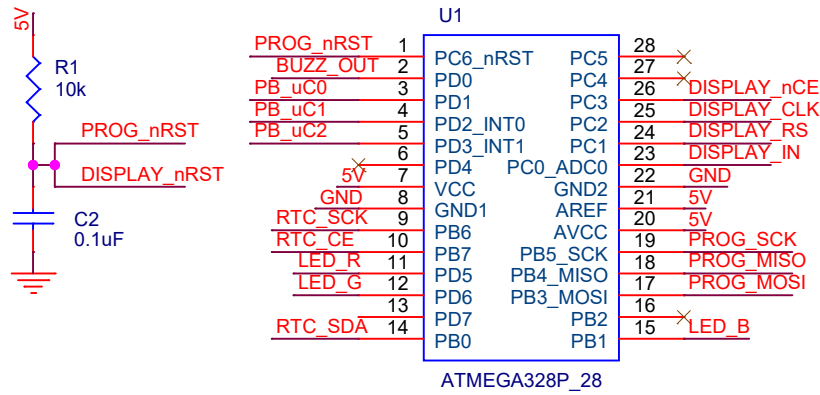
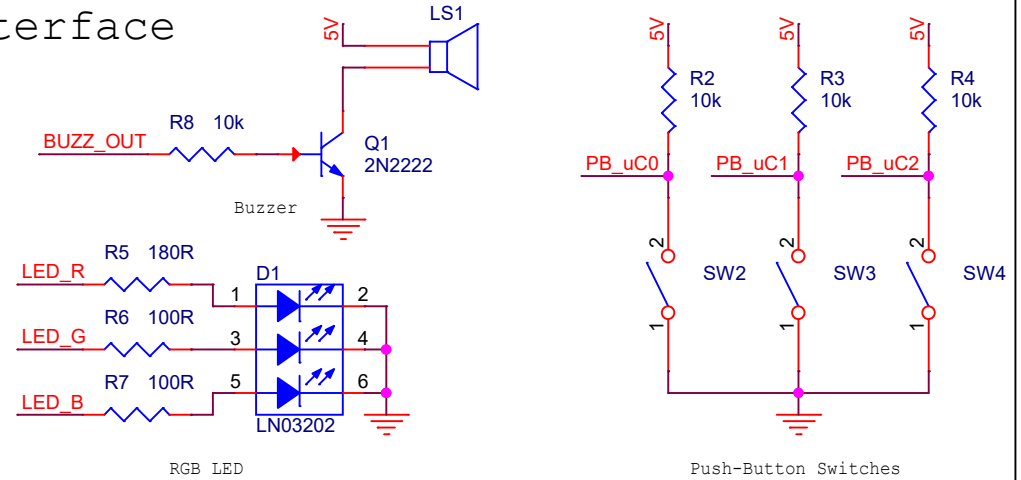


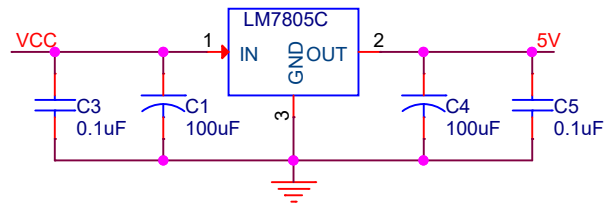
# Microcontroller



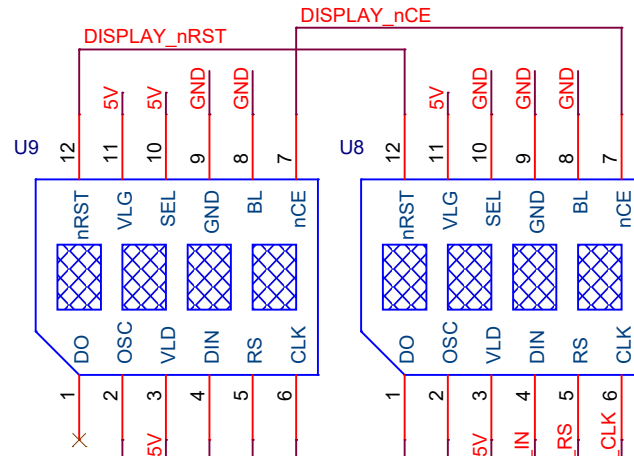
# Interface



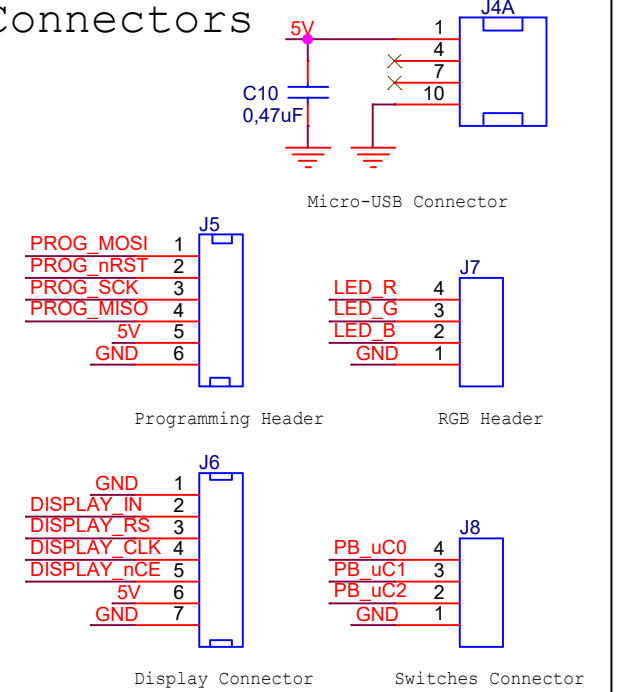
# Optional PSU



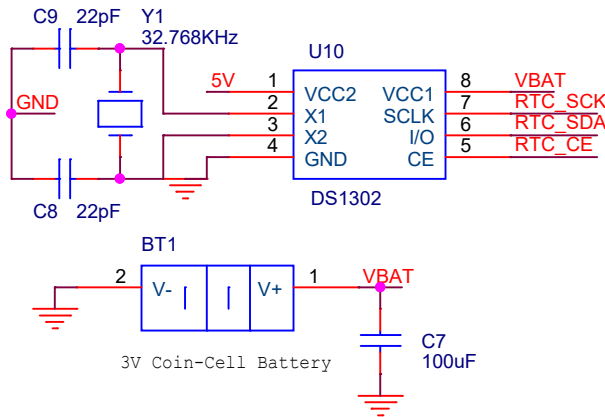
# 5x7 LED Matrix



# Connectors



# RTC Circuit



Title		
Lovely Clock V1.0 - By Faransky		
Size	Document Number	Rev
A	1	V1.0
Date:	Saturday, March 10, 2018	Sheet 1 of 1