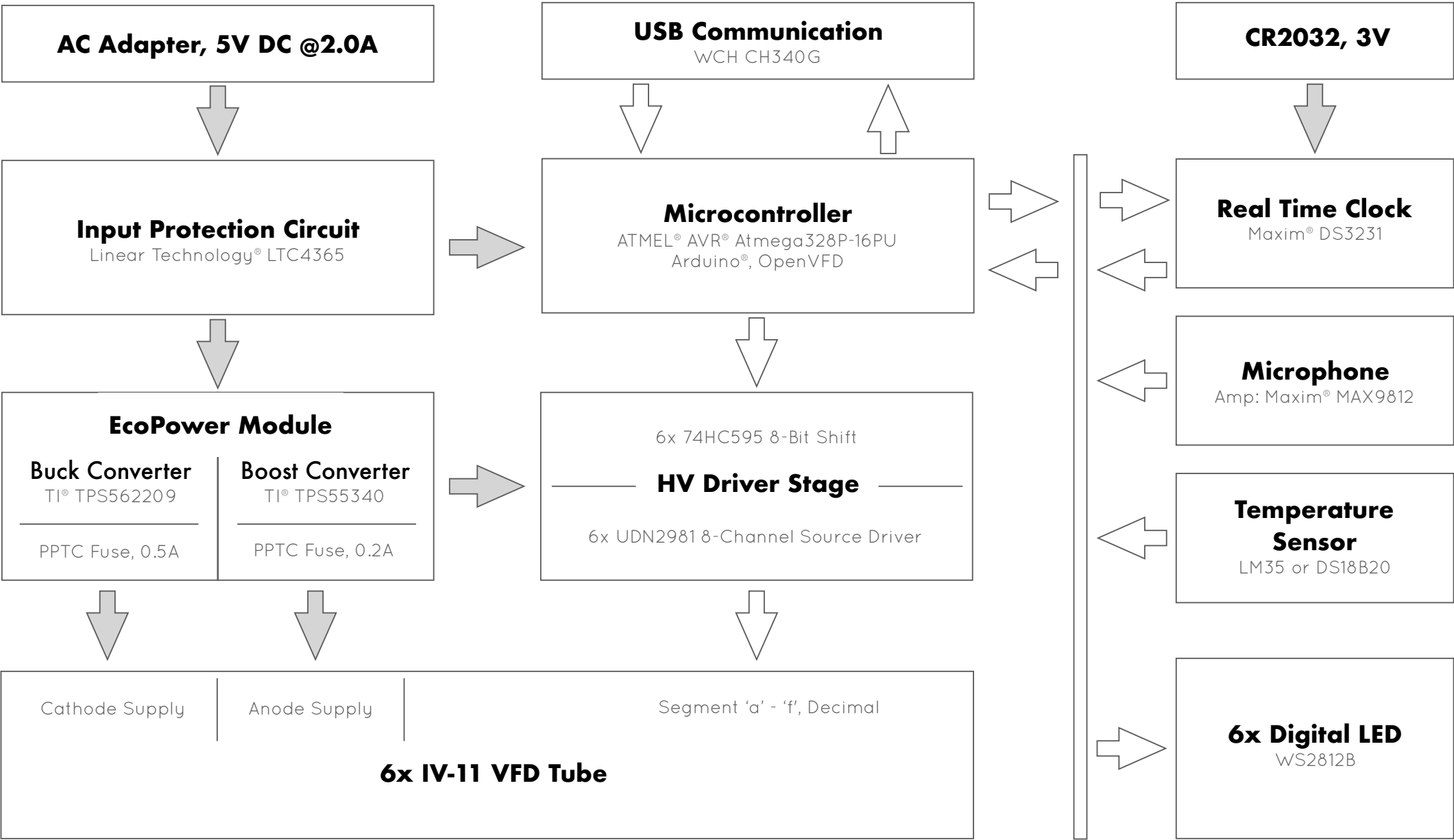
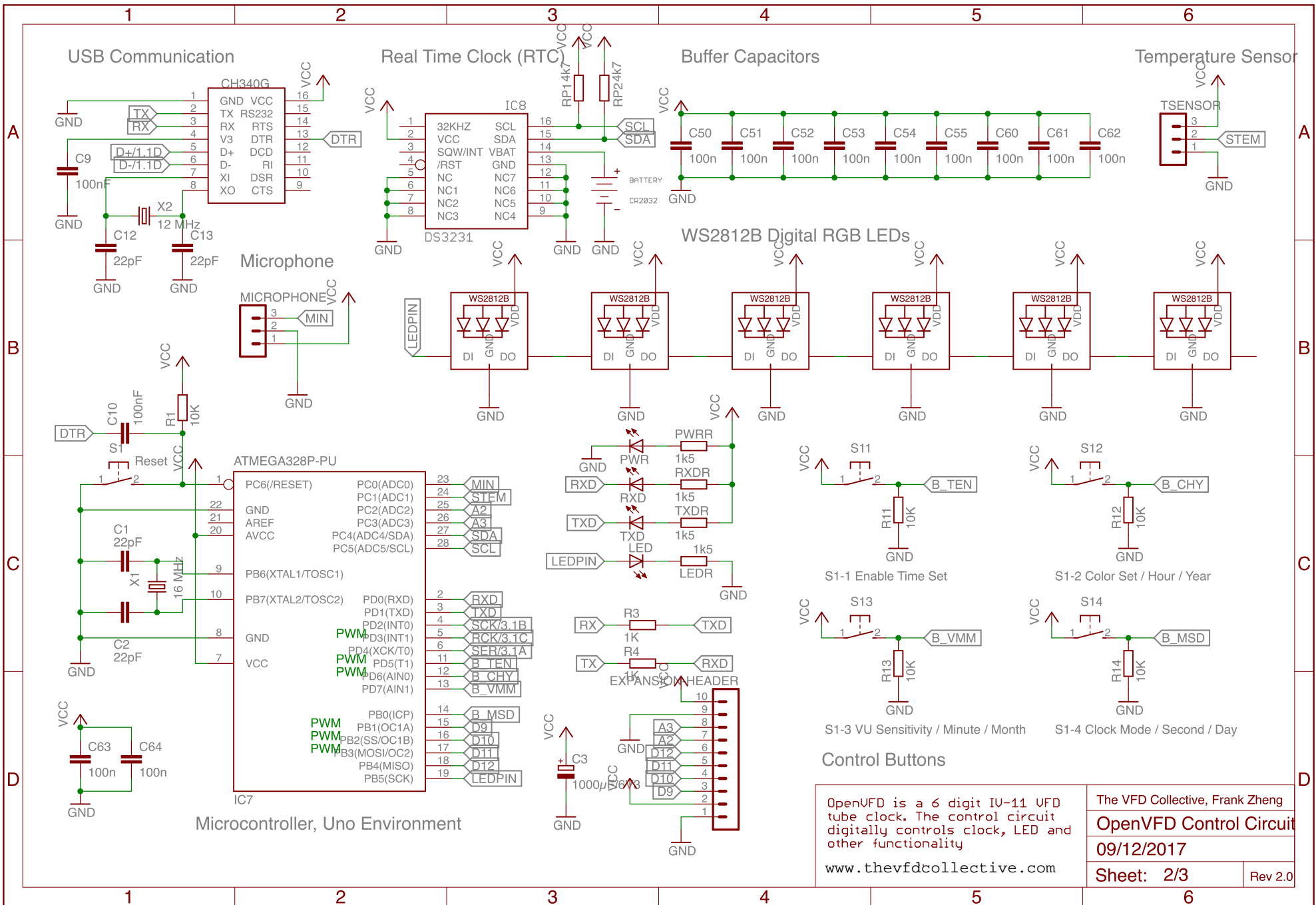


Thinking In Blocks. Fluorescence by THE VFD COLLECTIVE





OpenVFD is a 6 digit IV-11 VFD tube clock. The control circuit digitally controls clock, LED and other functionality

www.thevfdcollective.com

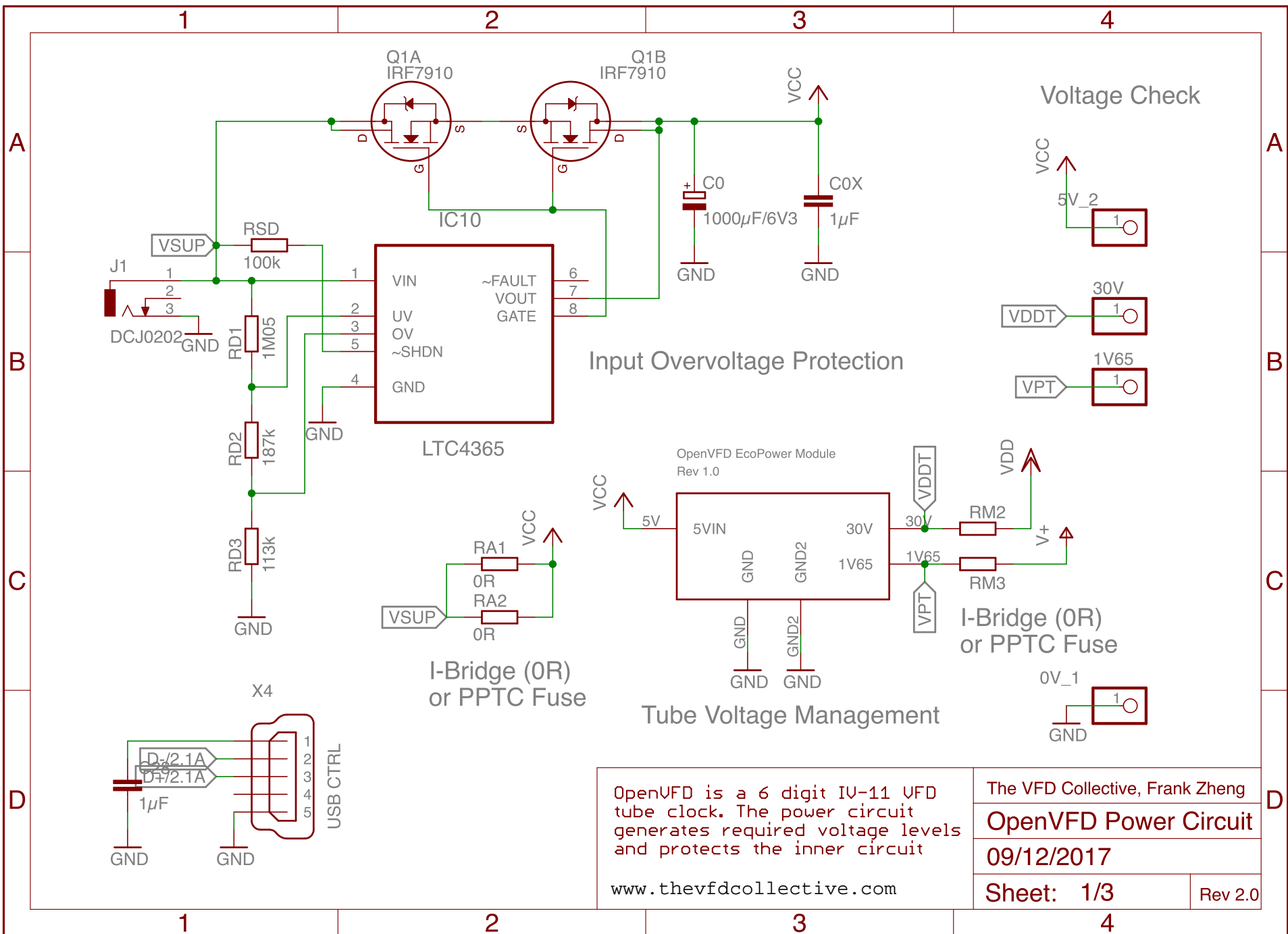
The VFD Collective, Frank Zheng

OpenVFD Control Circuit

09/12/2017

Sheet: 2/3

Rev 2.0



OpenVFD is a 6 digit IV-11 VFD tube clock. The power circuit generates required voltage levels and protects the inner circuit

www.thevfdcollective.com

The VFD Collective, Frank Zheng

OpenVFD Power Circuit

09/12/2017

Sheet: 1/3

Rev 2.0

