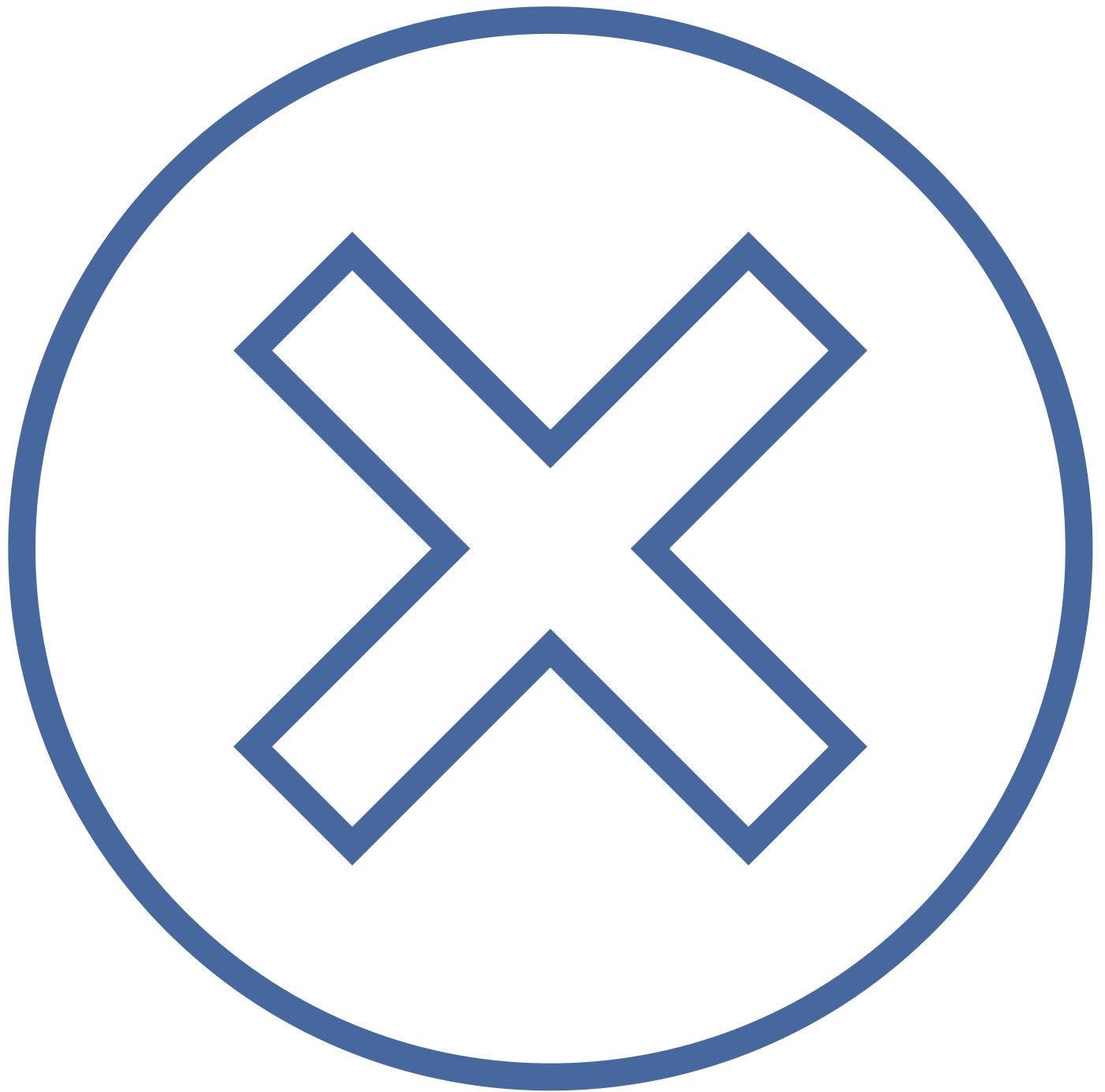


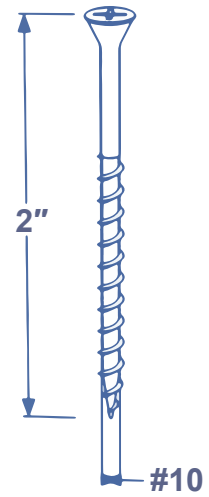
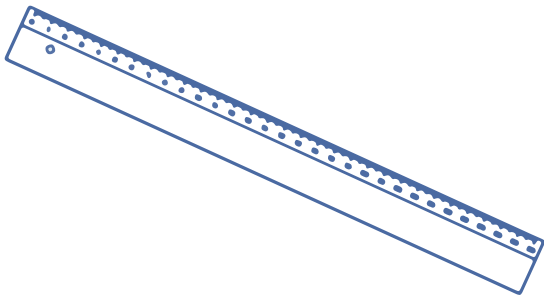
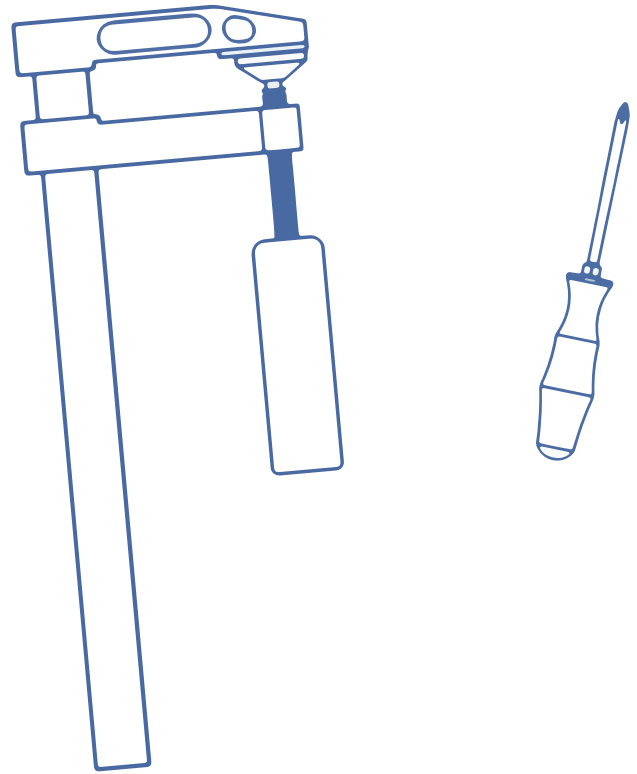
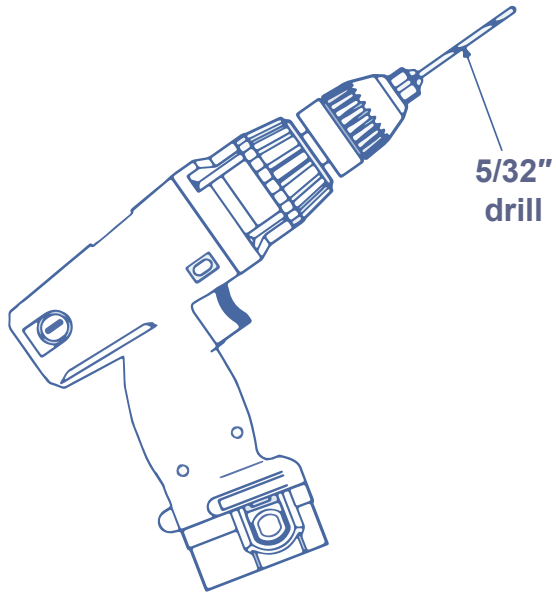
**S c r e w e d - U p**



**COFFEE TABLE**

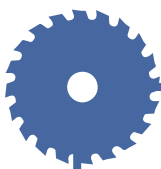
**i n s t r u c t i o n**



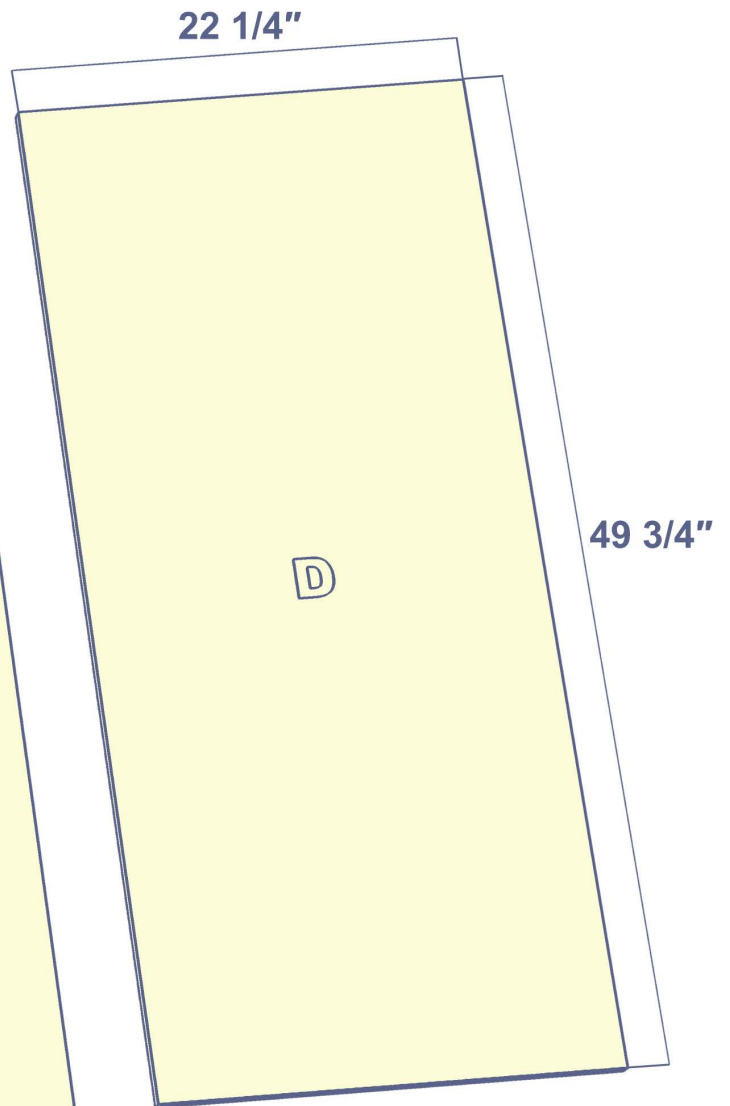
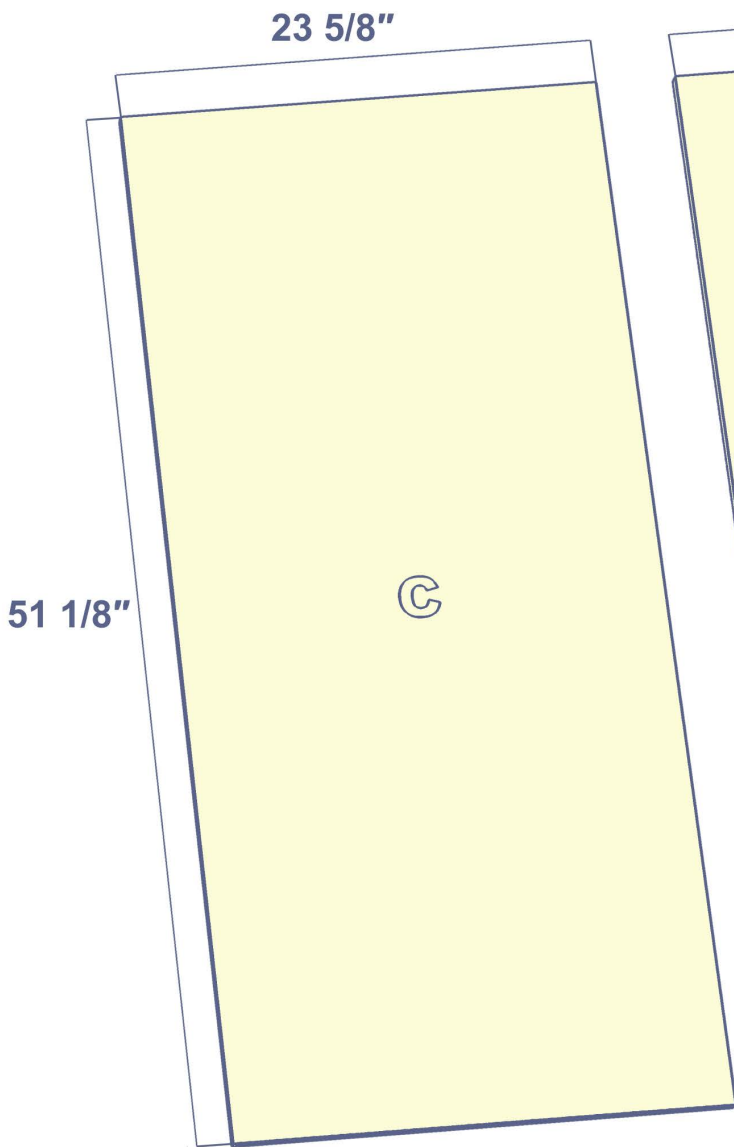
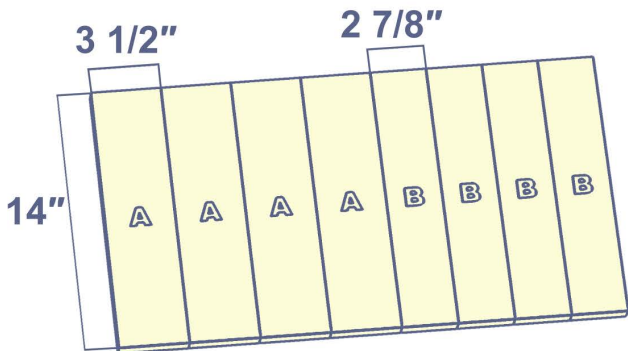


32x

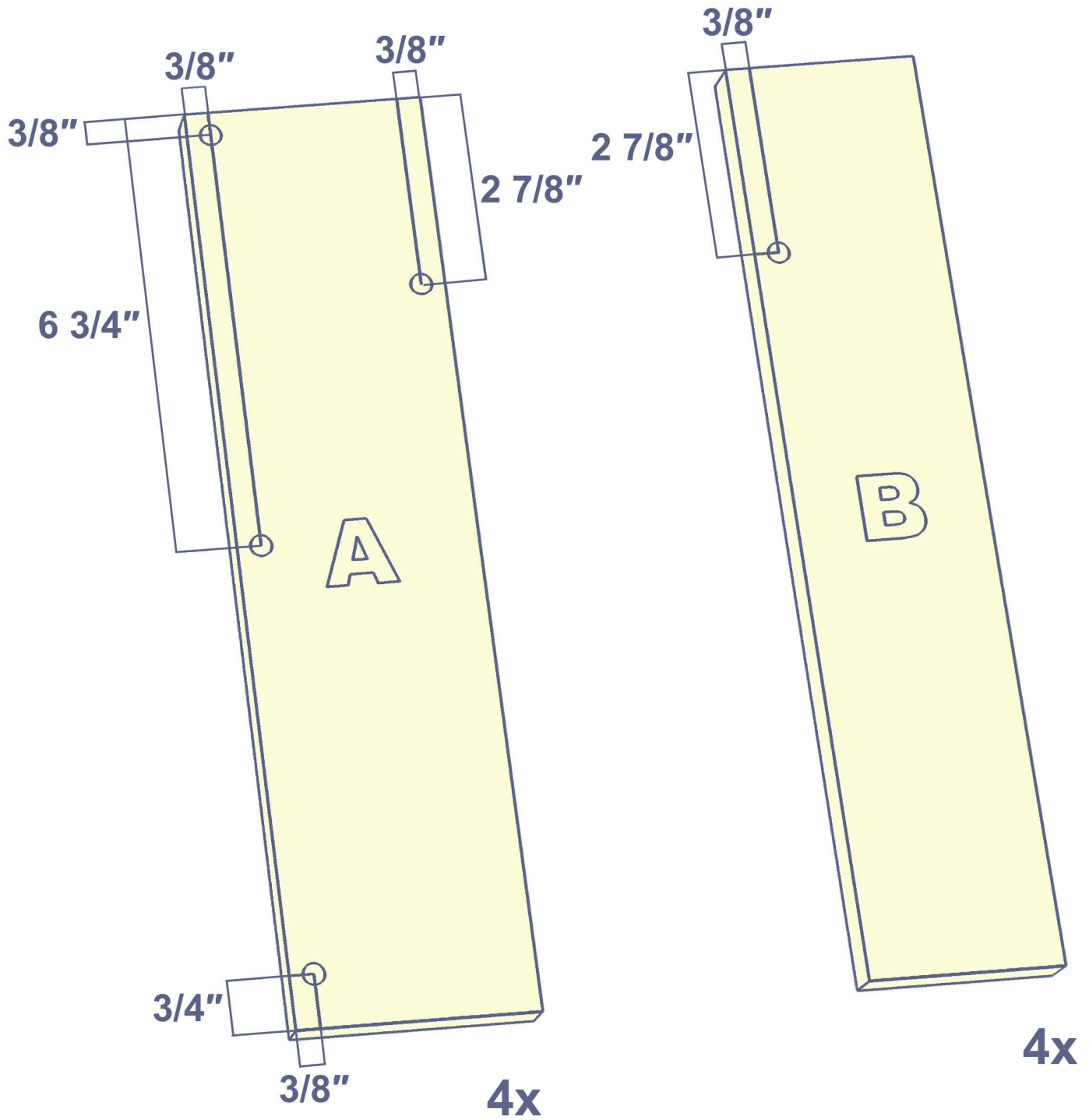




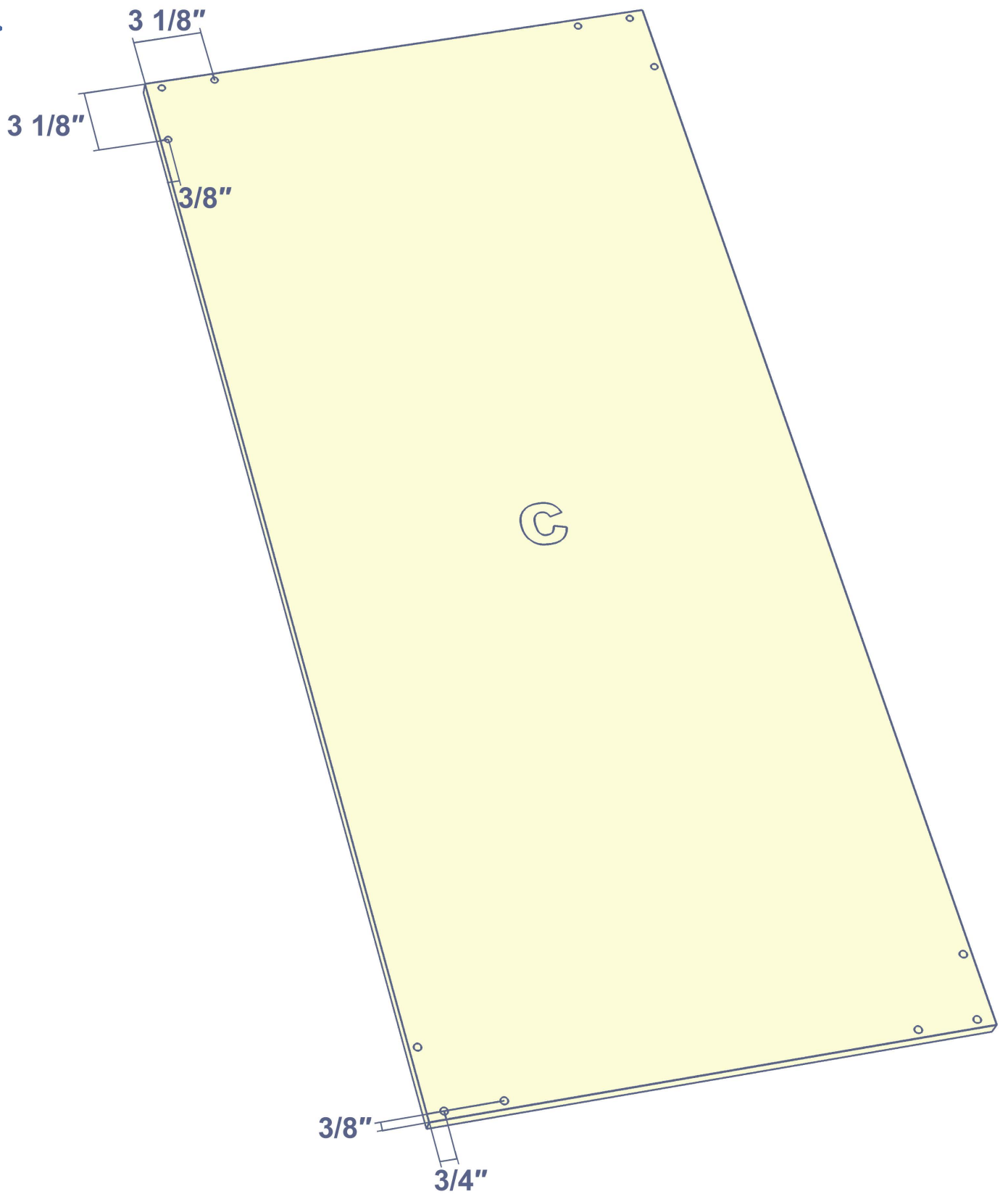
Use  $3/4$ " (0.709") thick plywood, any type that takes your fancy. For outdoor use, ask for advice at the store. After you have chosen your sheet you can have it cut at the DIY store itself. Most stores offer this service for a small fee or for free. So take this parts list with you and within no-time you have all the parts you need.



# pre-drill

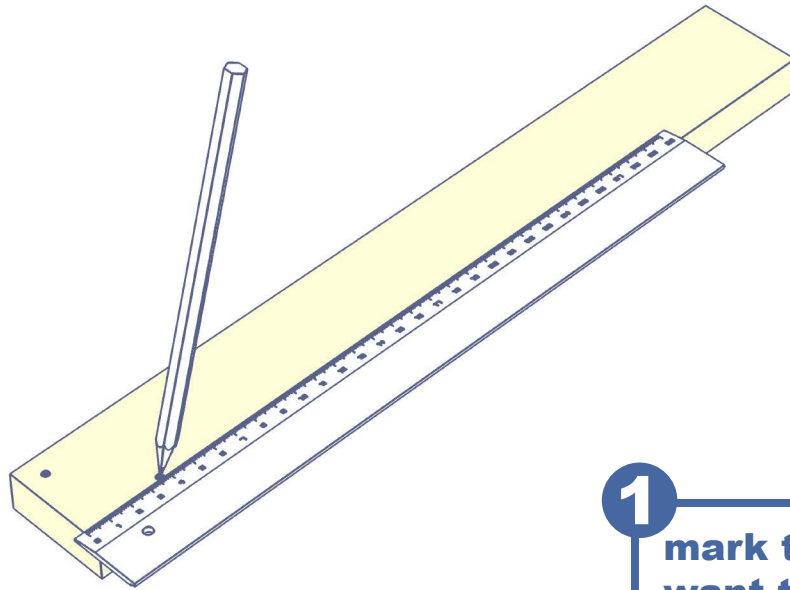


# pre-drill



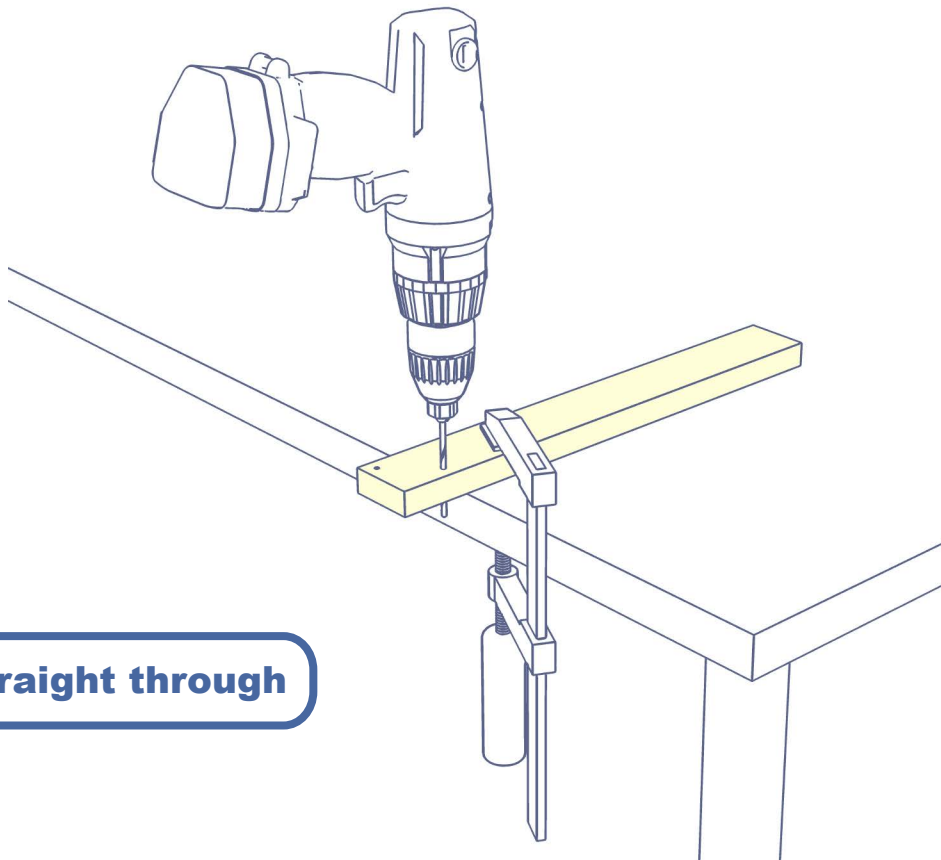


# how to (not) screw up



**1**

**mark the spots you want to pre-drill**

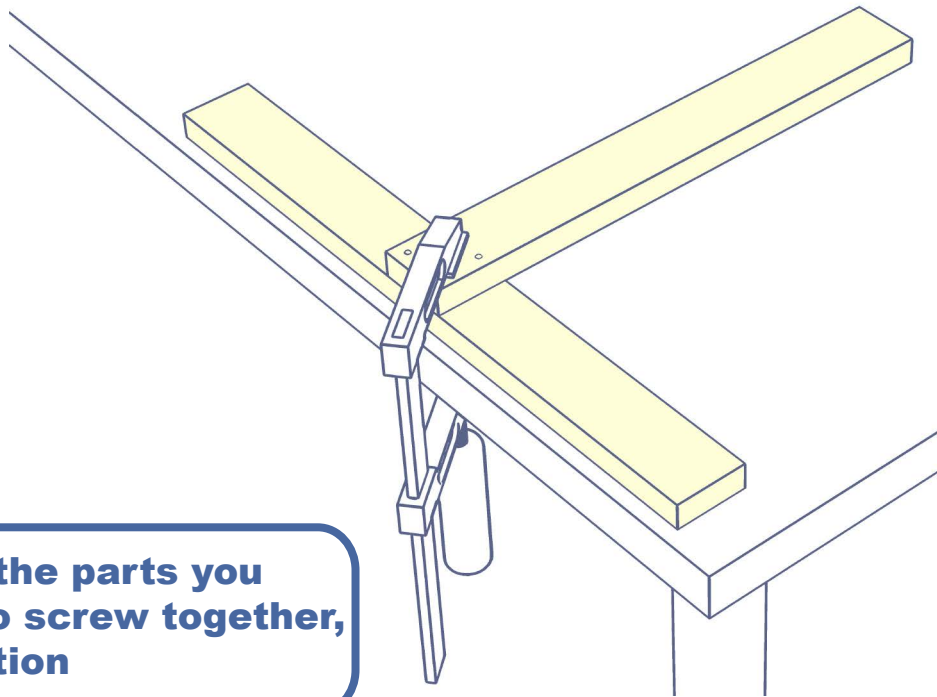


**2**

**drill straight through**

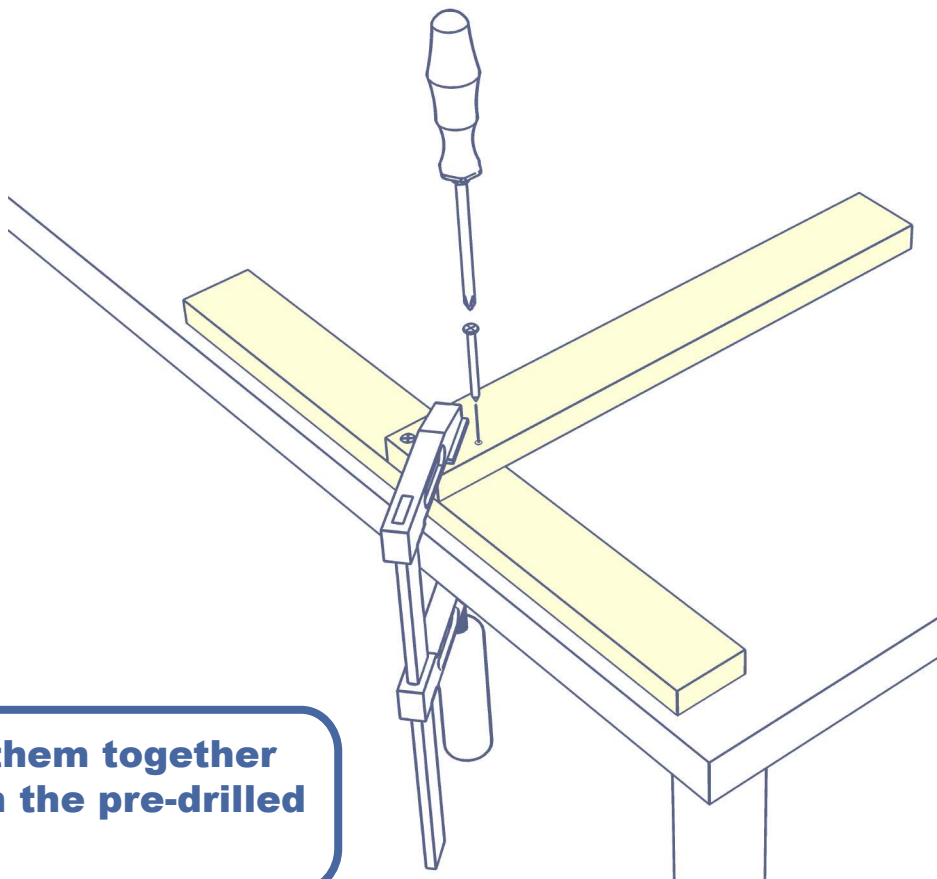


# how to (not) screw up



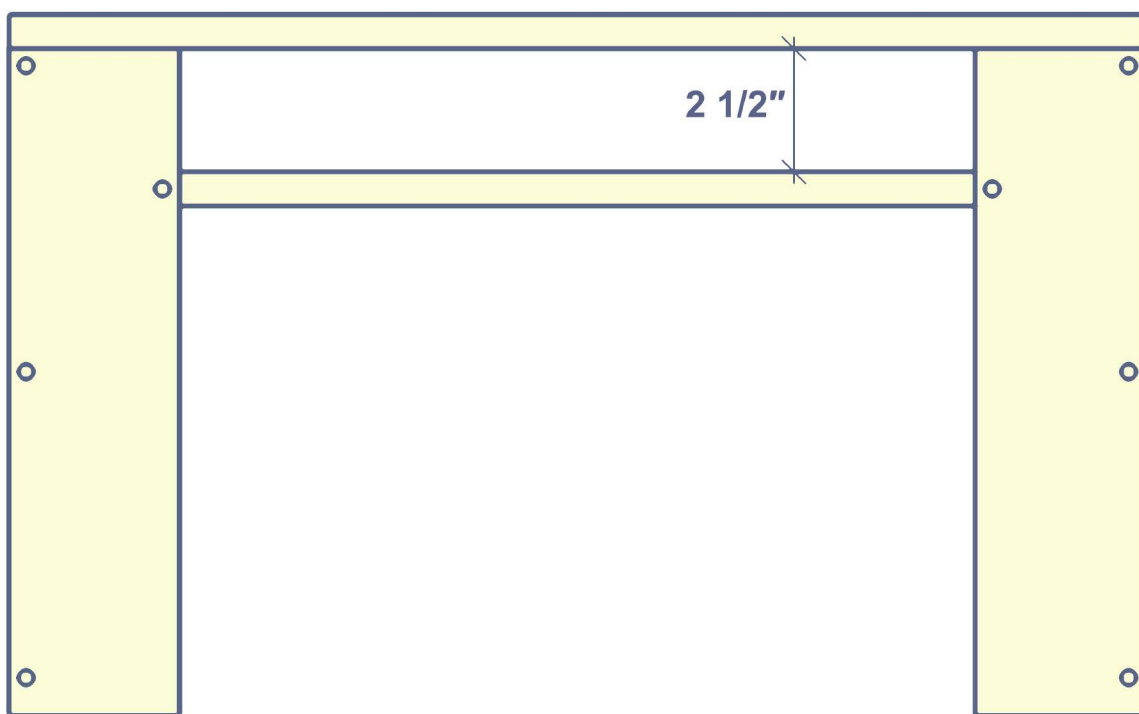
**3**

**clamp the parts you want to screw together, in position**



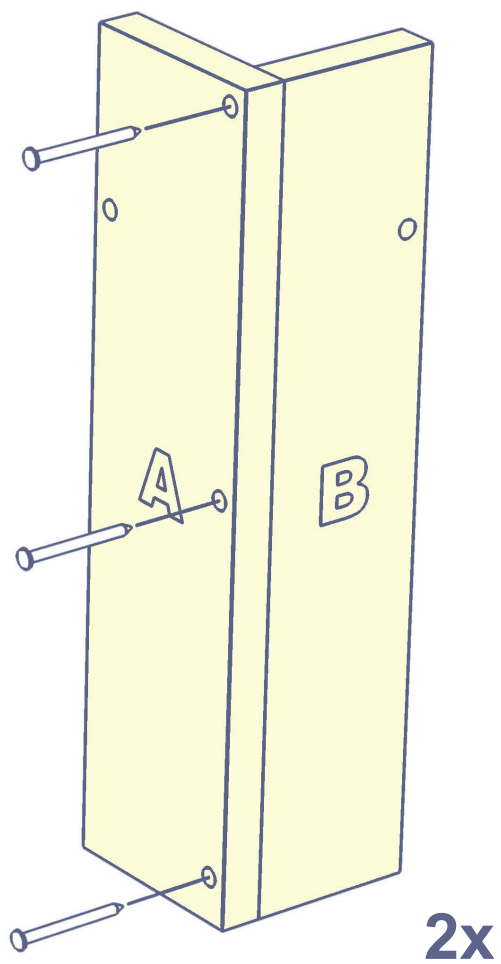
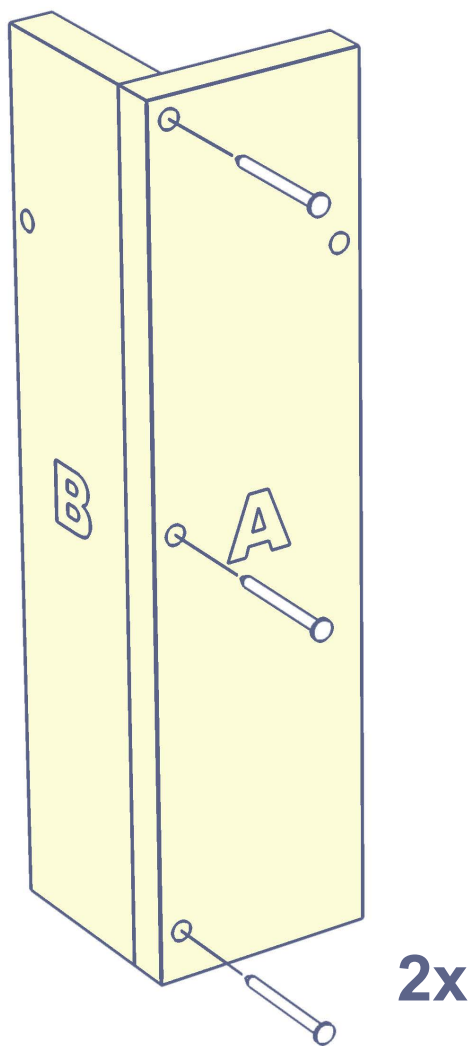
**4**

**screw them together through the pre-drilled holes**

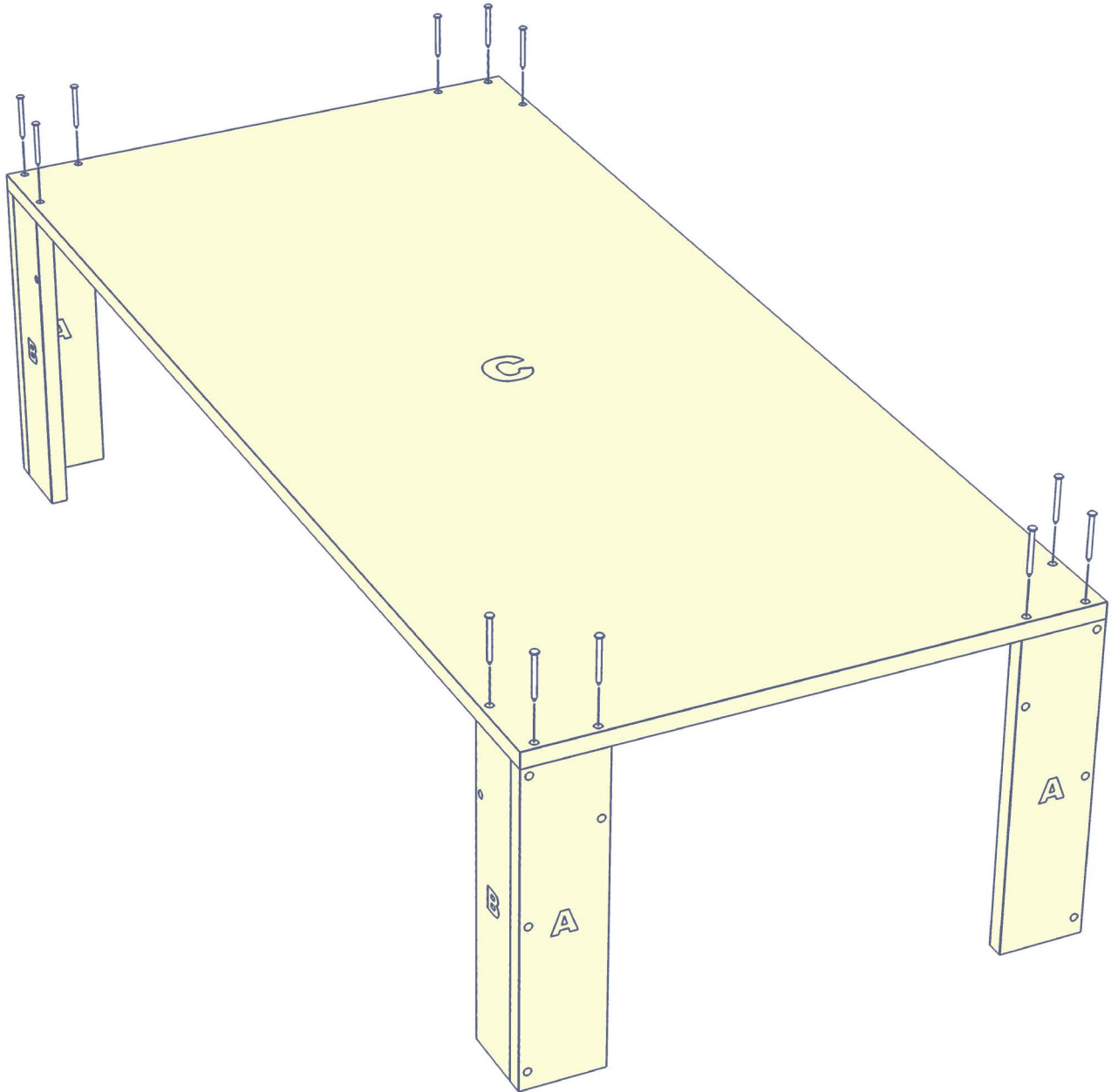




1



2



3

