

**S c r e w e d - U p**



# **COFFEE TABLE**

**i n s t r u c t i o n**



# Screw it Yourself

---

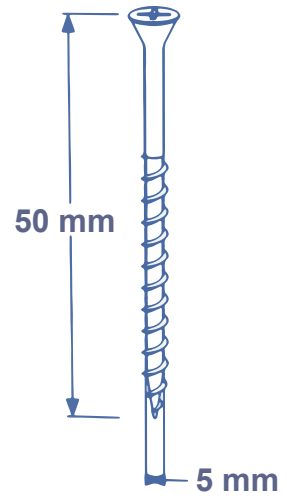
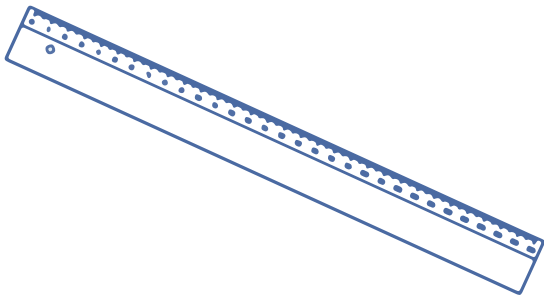
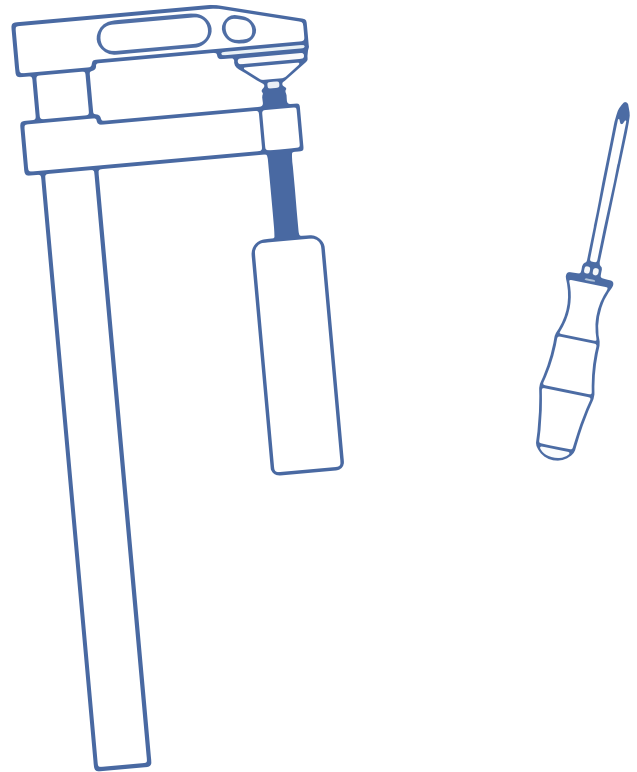
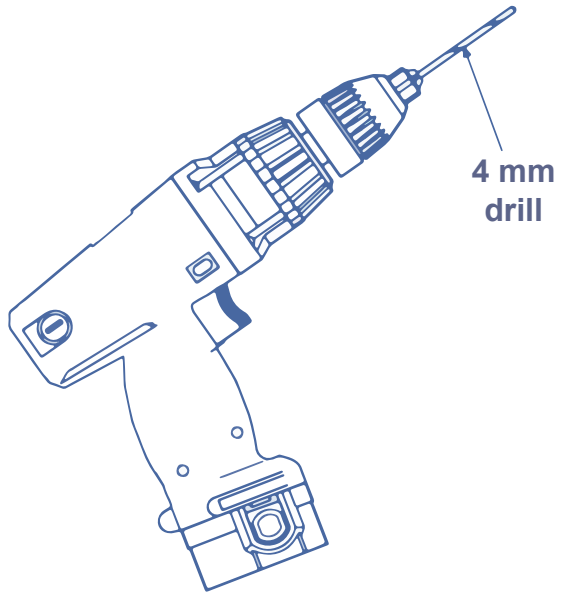
**Congratulations on starting your own Screwed-Up project! Soon you will be the proud owner of your homemade furniture.**

**Just follow the steps, take your time and enjoy building your project!**

**Also, feel free to ask questions, send a photo of your work (always appreciated) and give suggestions at [mail@screwed-up.com](mailto:mail@screwed-up.com).**

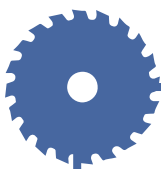


*Screwed- Up designs and products are meant for private use only and are not allowed to be distributed further in any way or form. For questions, please contact Screwed-Up through [www.screwed-up.com](http://www.screwed-up.com).*

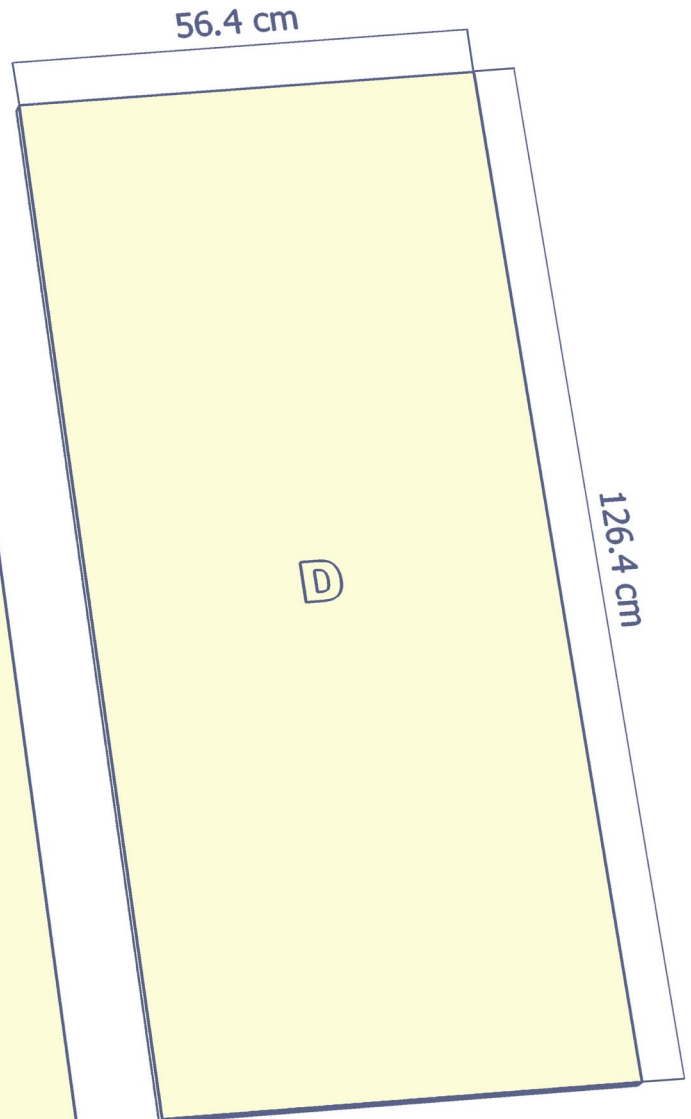
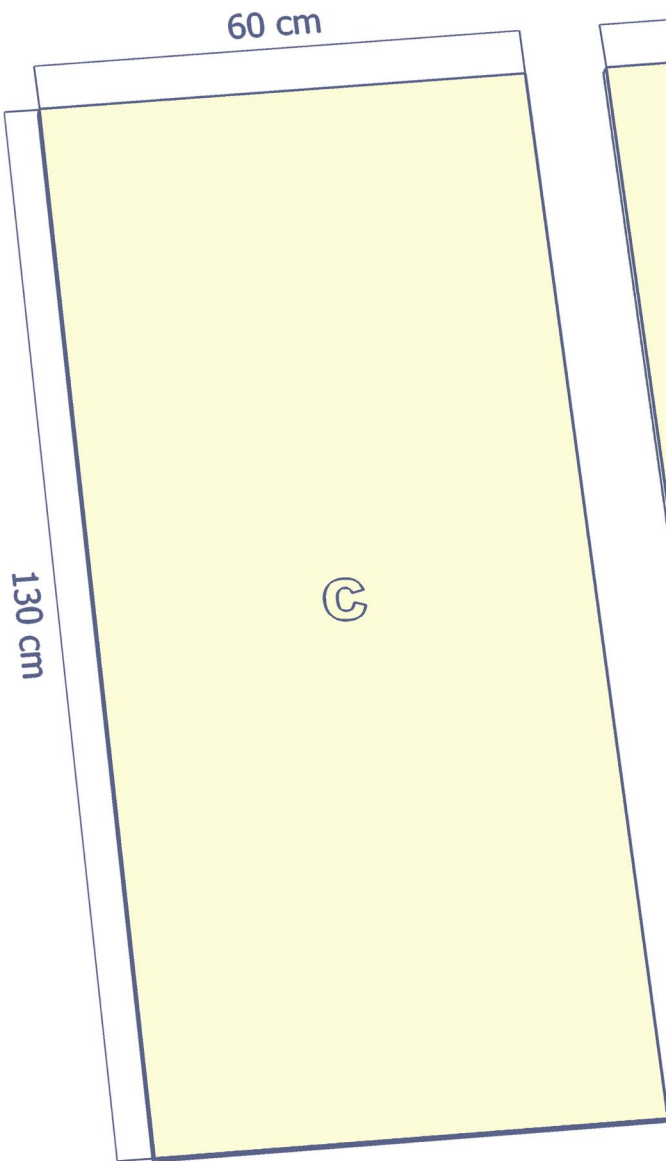
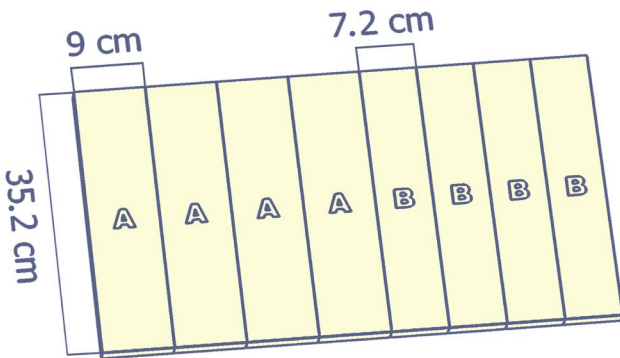


32x

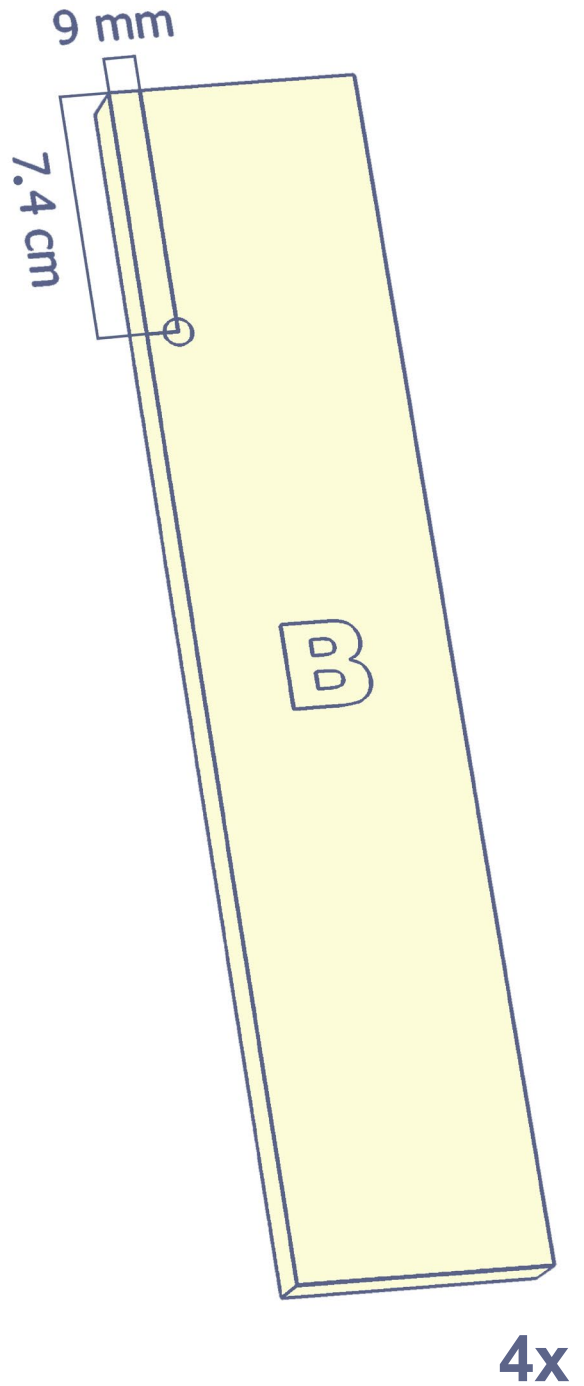
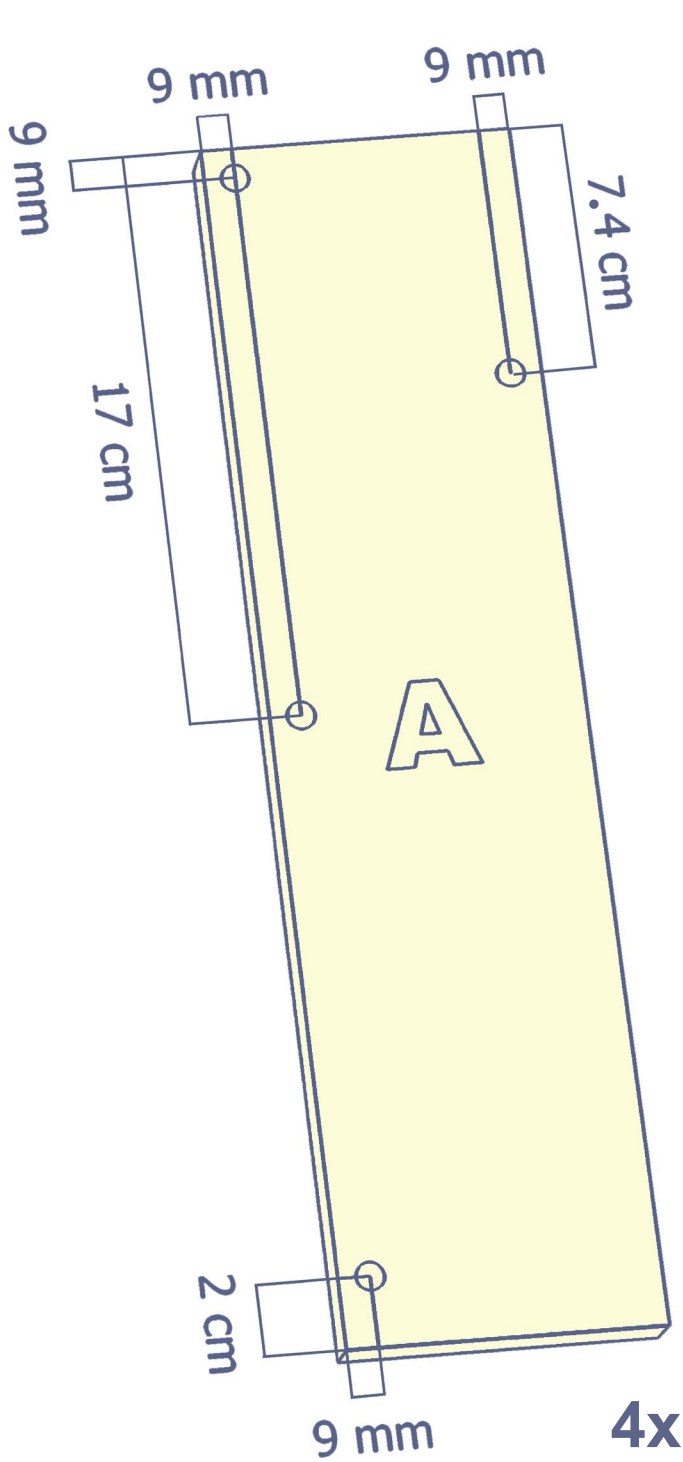




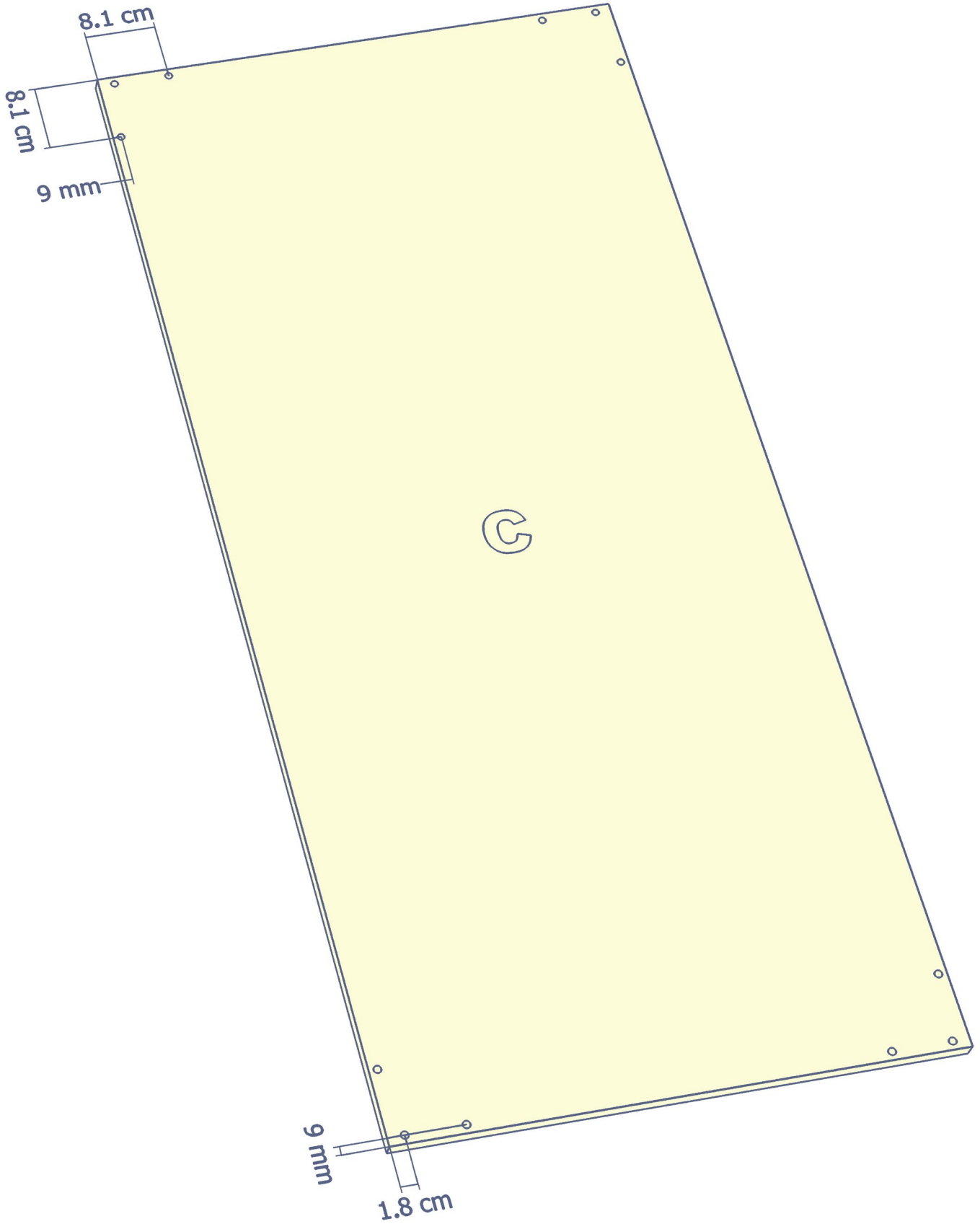
Use 18 mm thick plywood, any type that takes your fancy. For outdoor use, ask for advice at the store. After you have chosen your sheet you can have it cut at the DIY store itself. Most stores offer this service for a small fee or for free. So take this parts list with you and within no-time you have all the parts you need.



# pre-drill

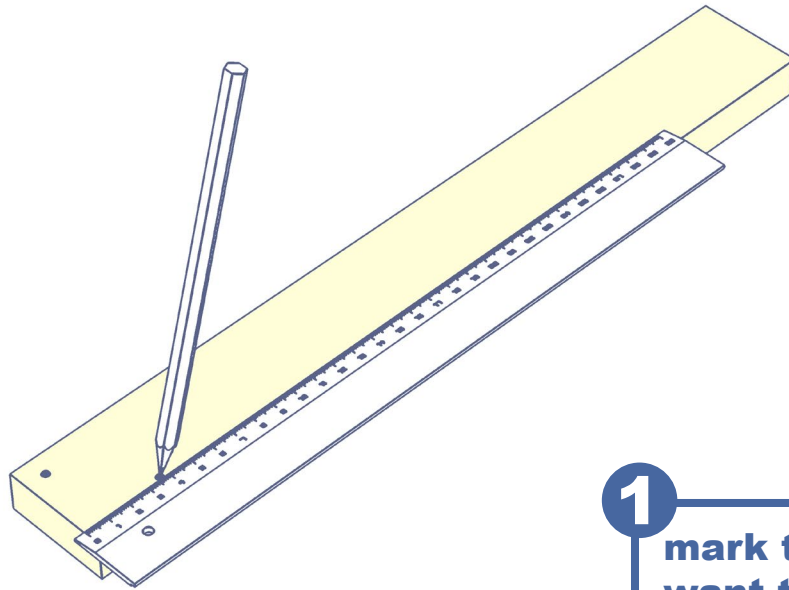


# pre-drill



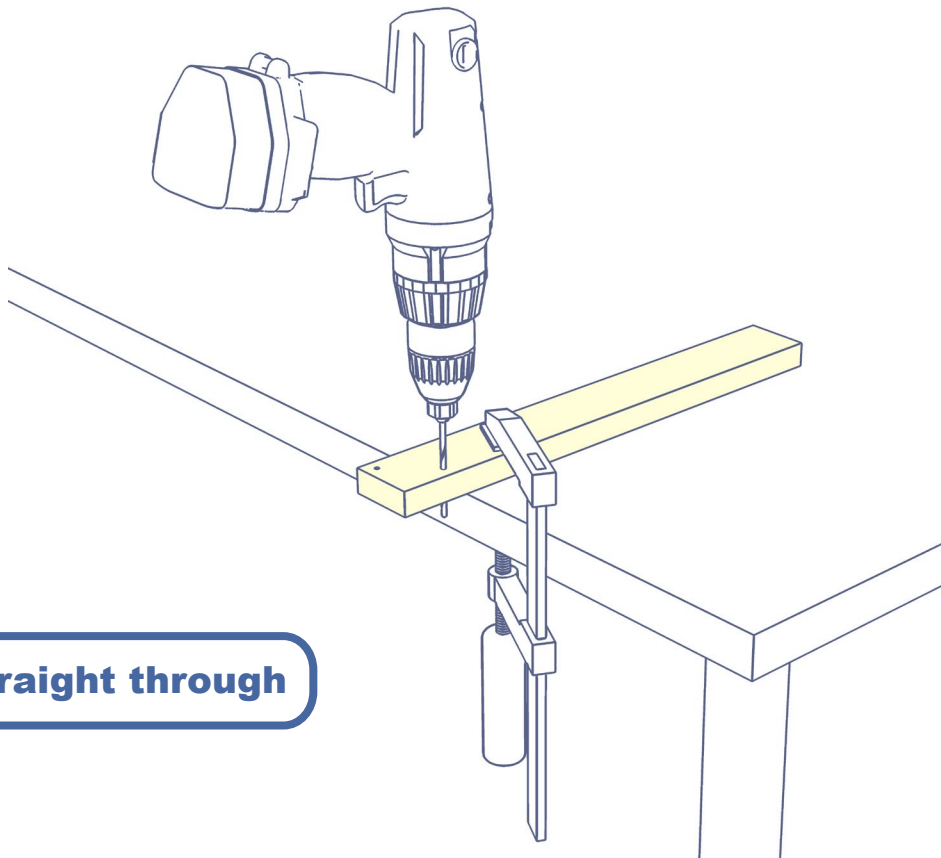


# how to (not) screw up



**1**

**mark the spots you want to pre-drill**



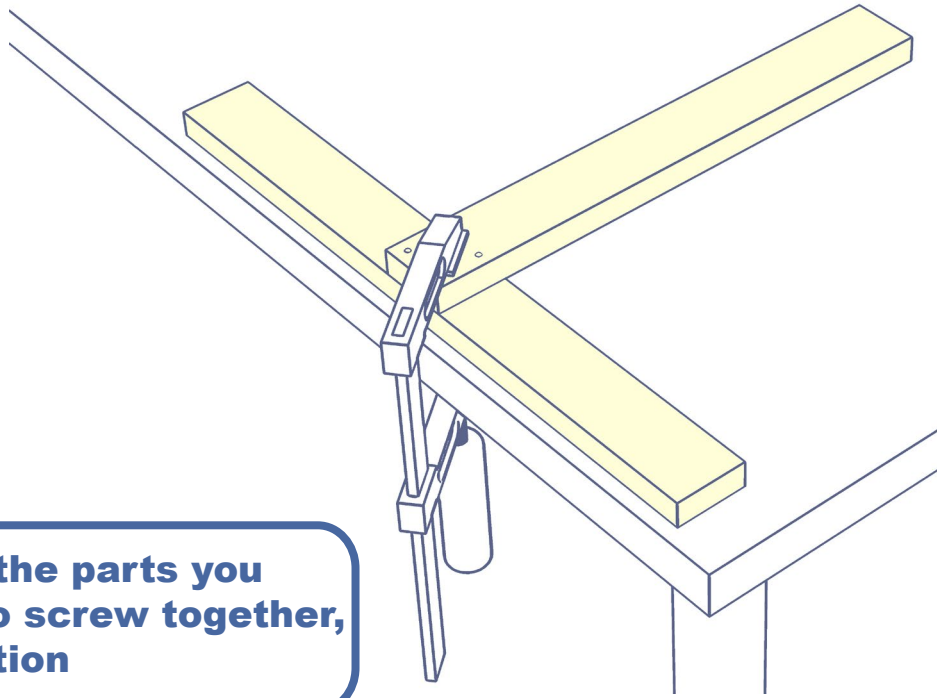
**2**

**drill straight through**



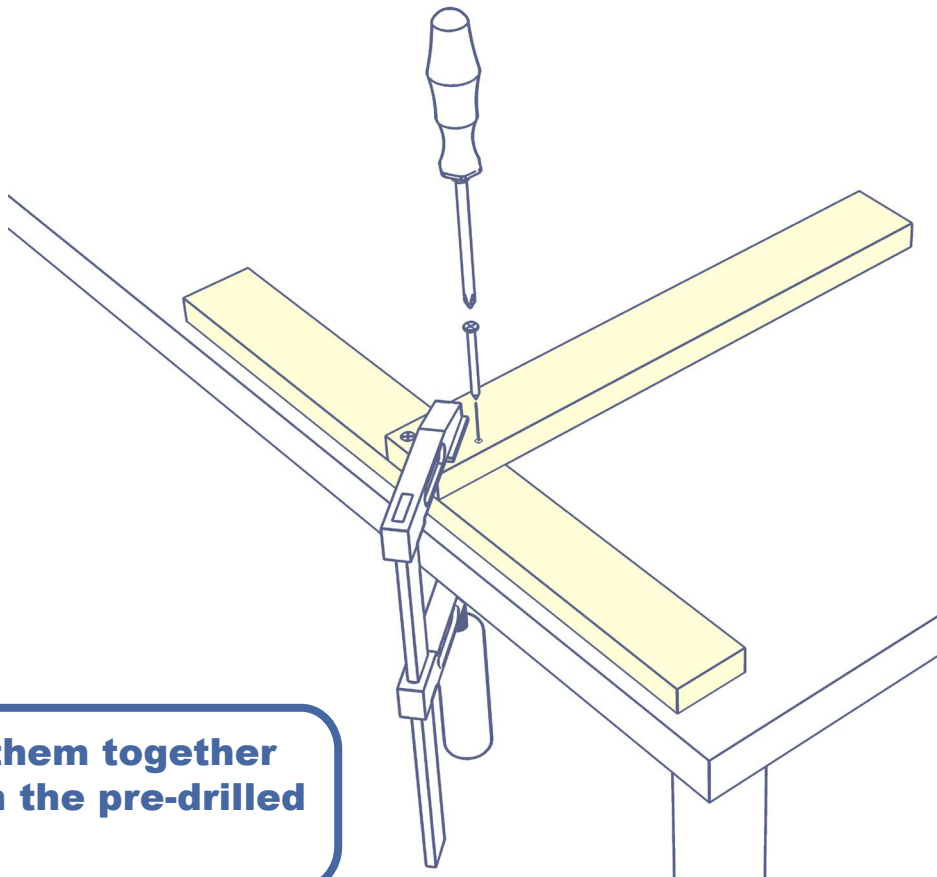


# how to (not) screw up



**3**

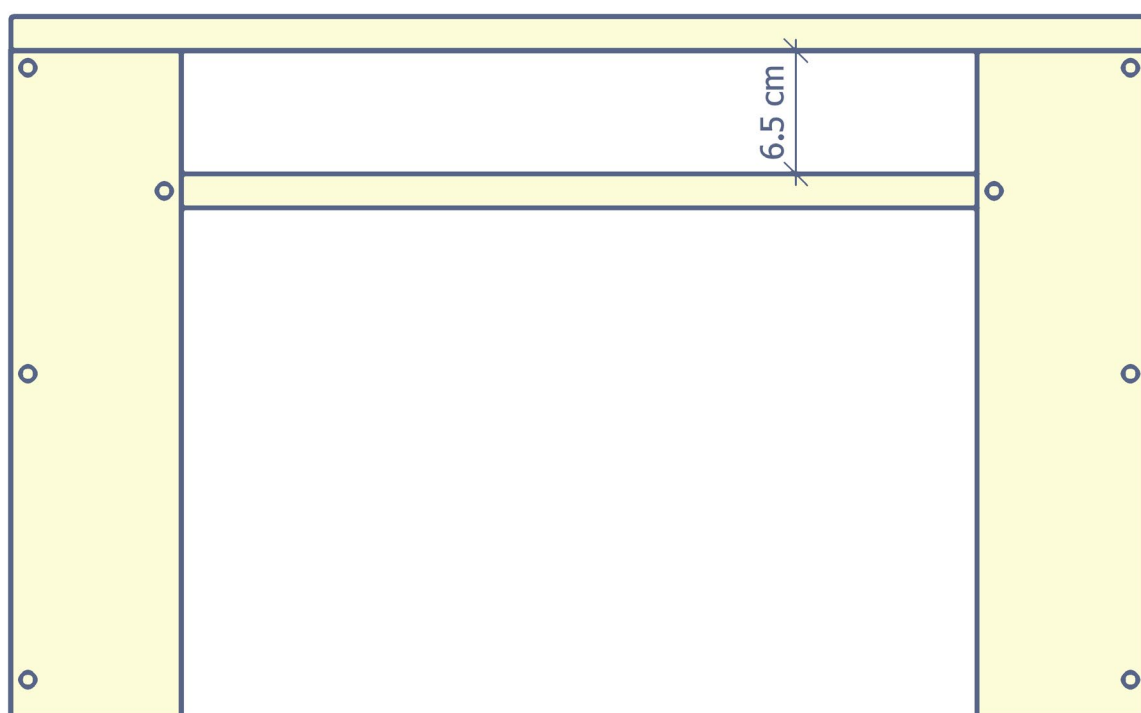
**clamp the parts you want to screw together, in position**



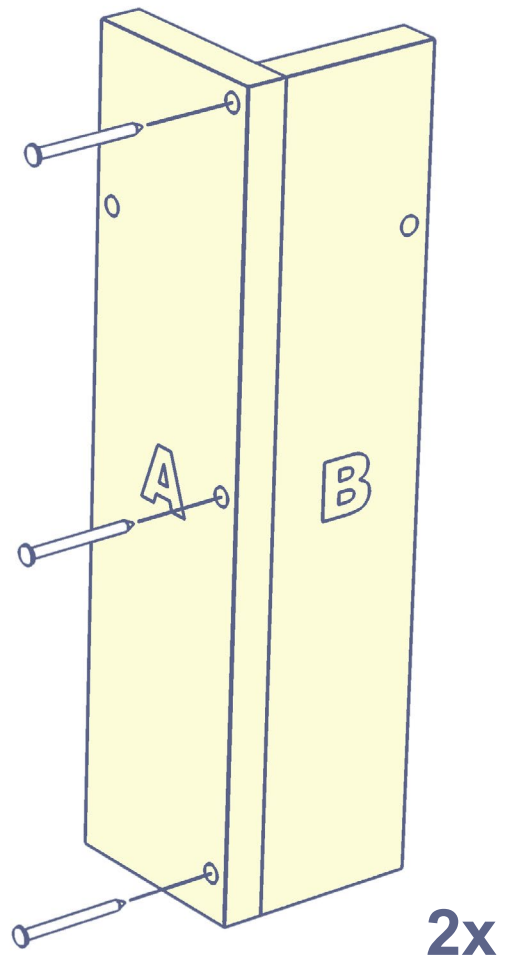
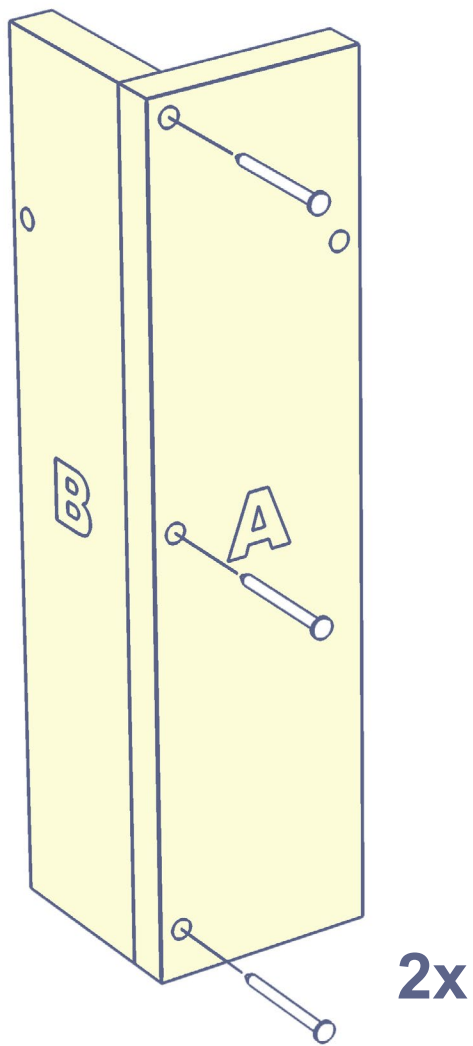
**4**

**screw them together through the pre-drilled holes**

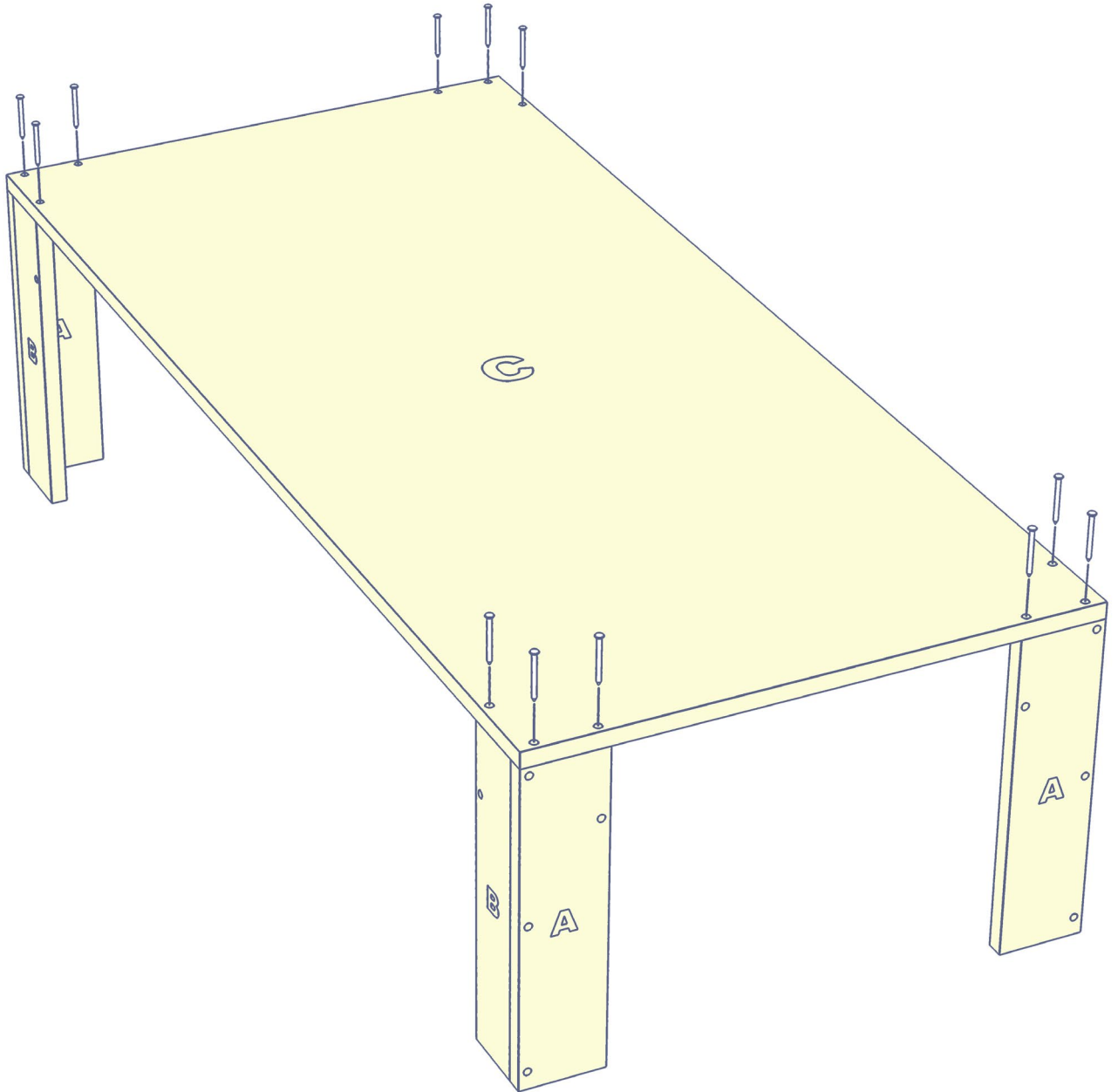




1



2



3

