

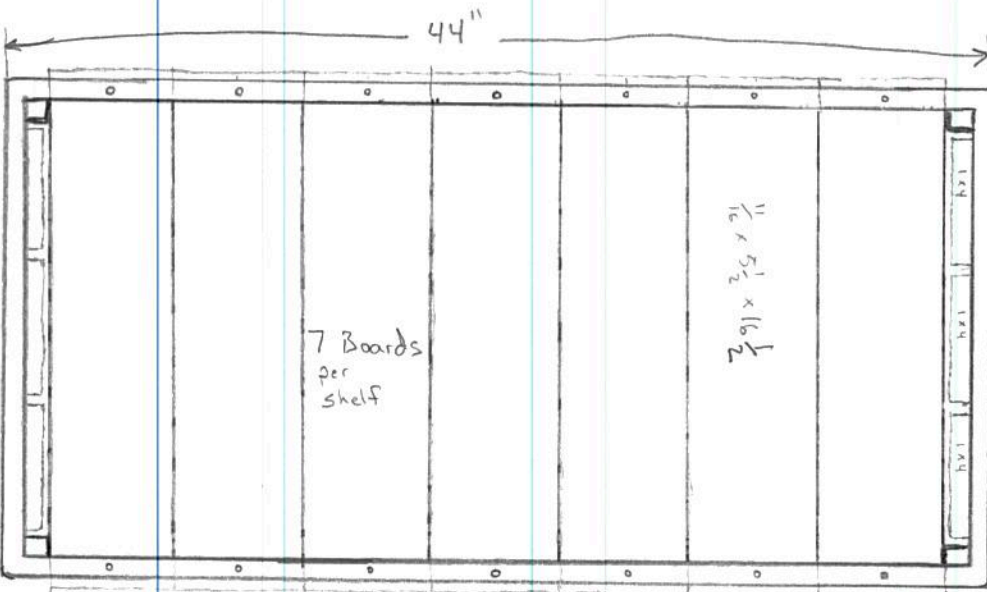
$$5 \frac{1}{2} \times 8 = 44$$

$$3 \text{ sp } \frac{3}{16} \times 7 = 1 \frac{5}{16}$$

$$3 \text{ sp } \frac{1}{4} \times 7 = 1 \frac{3}{4}$$

$$3 \text{ sp } \frac{5}{16} \times 7 = 2 \frac{3}{16}$$

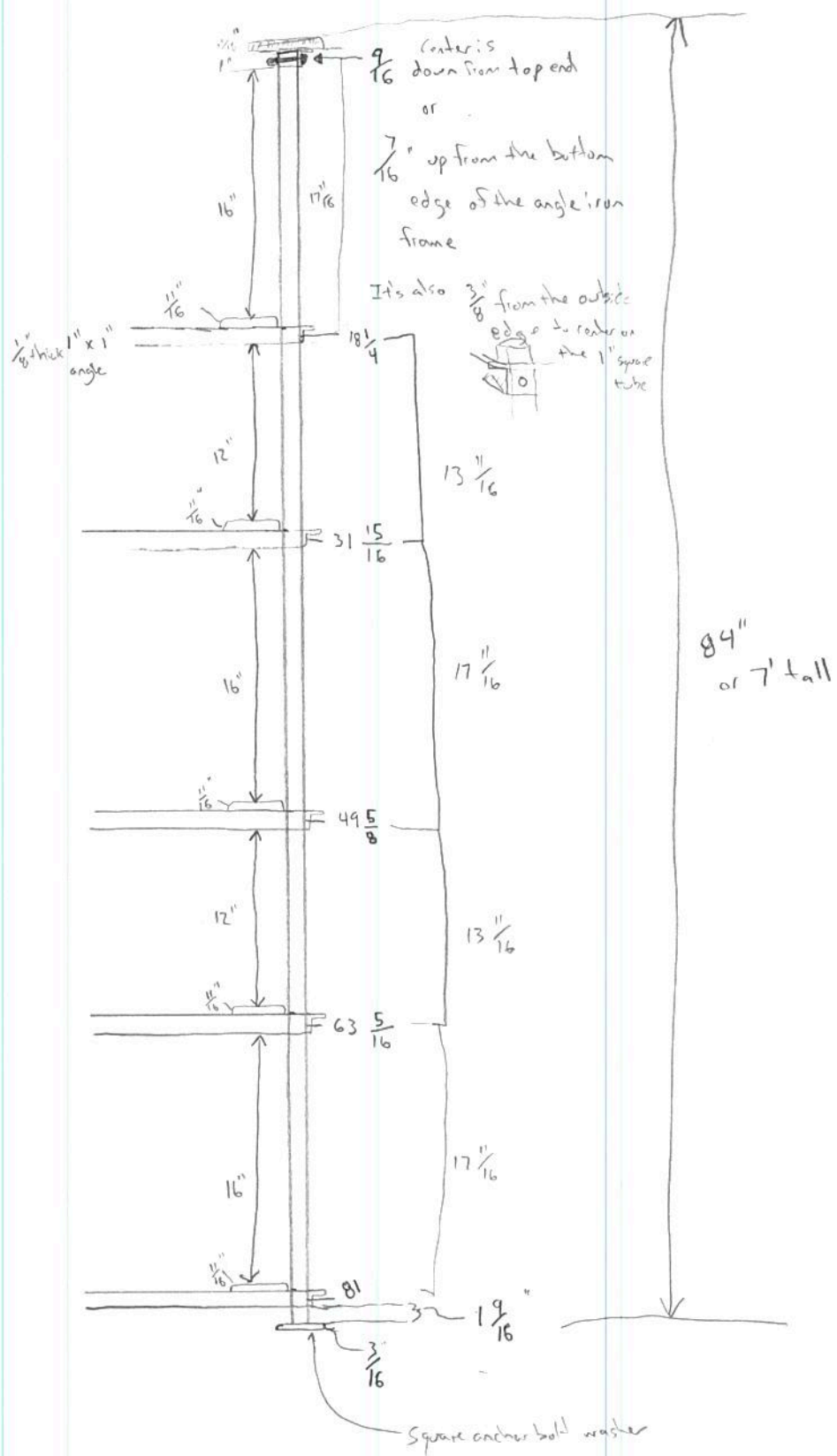
$$3 \text{ sp } \frac{3}{8} \times 7 = 2 \frac{5}{8}$$



$$5 \frac{1}{2} \times 7 = 38 \frac{1}{2}$$

$$3 \text{ sp } \frac{3}{16} \times 6 = 1 \frac{1}{8}$$

$$3 \text{ sp } \frac{1}{4} \times 6 = 1 \frac{1}{2}$$



$16 \times 3 = 48$
 $12 \times 2 = 24$
 $1 \times 6 = 6$
 $\frac{11}{16} \times 5 = 3\frac{3}{16}$