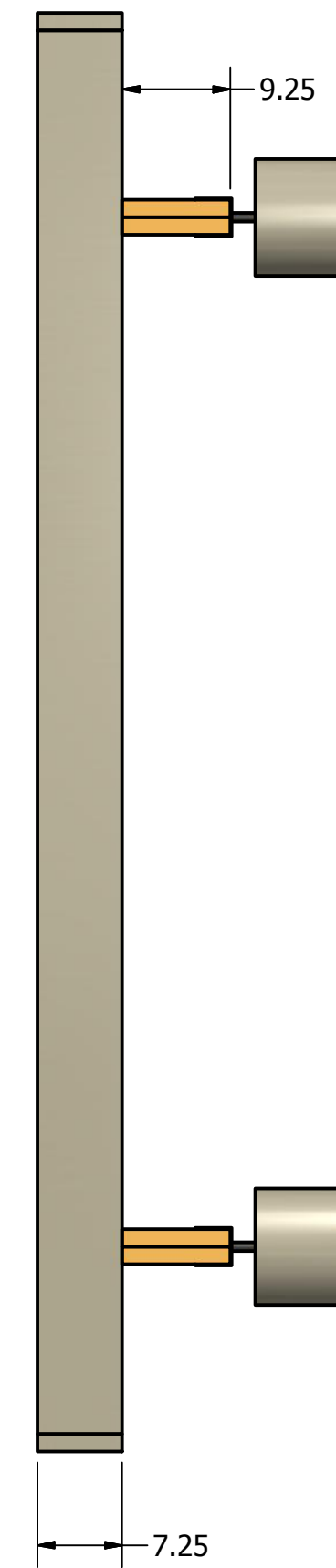
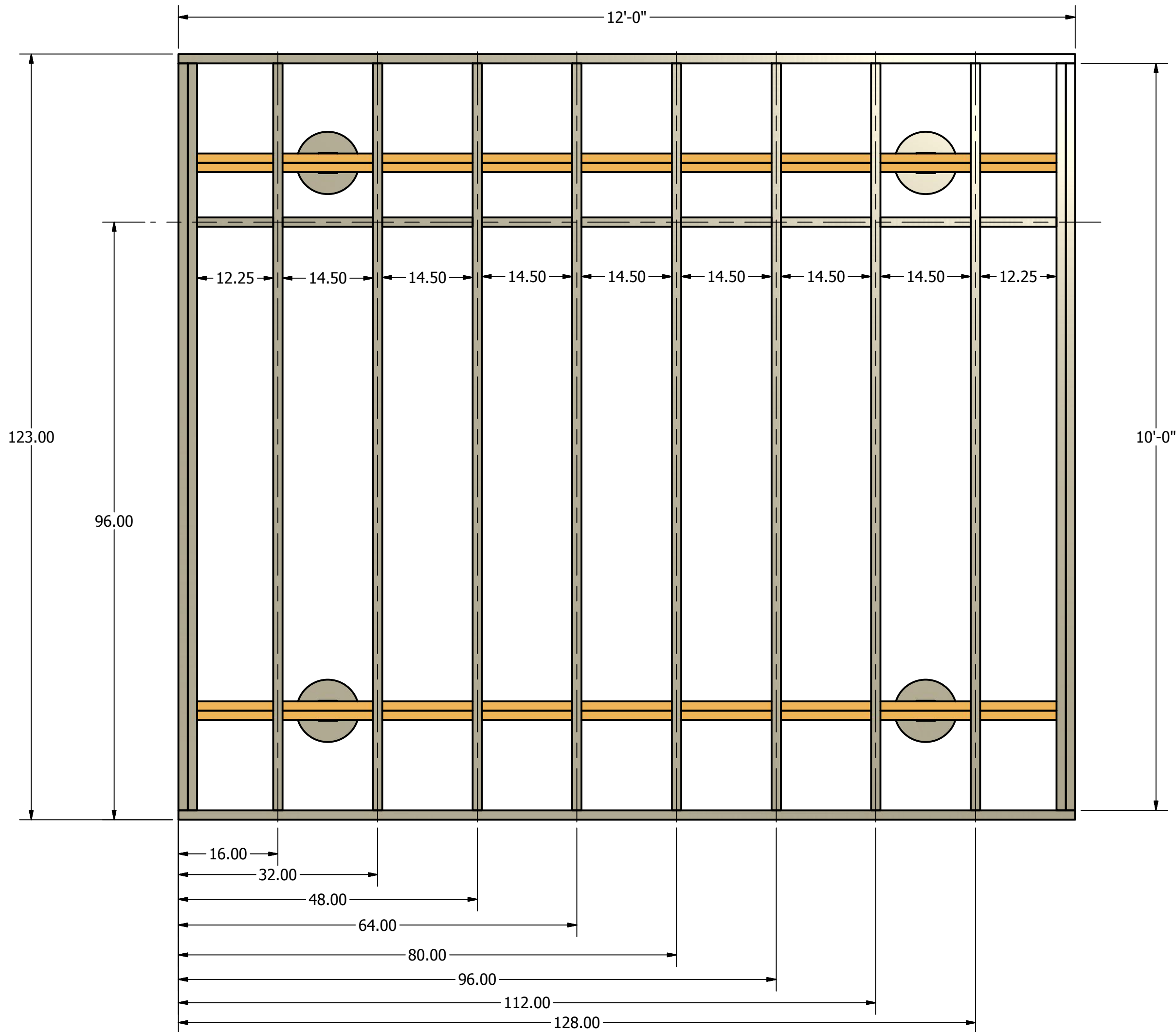
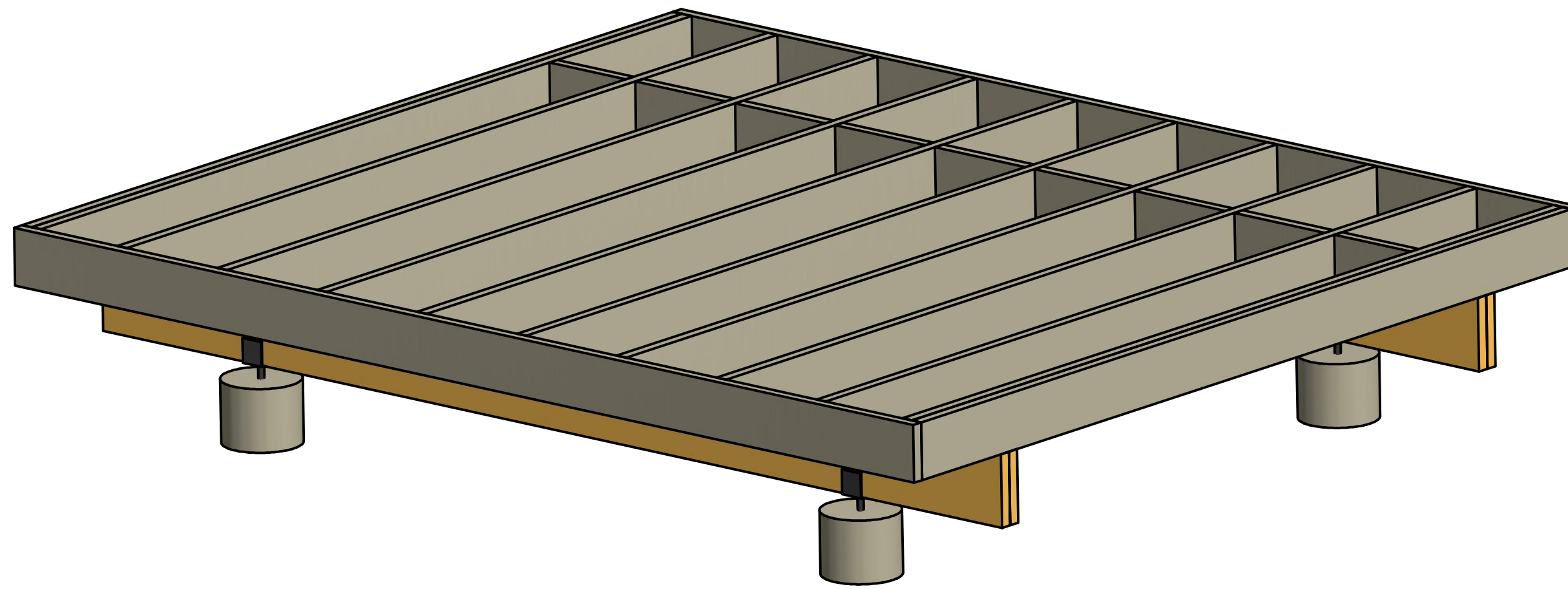
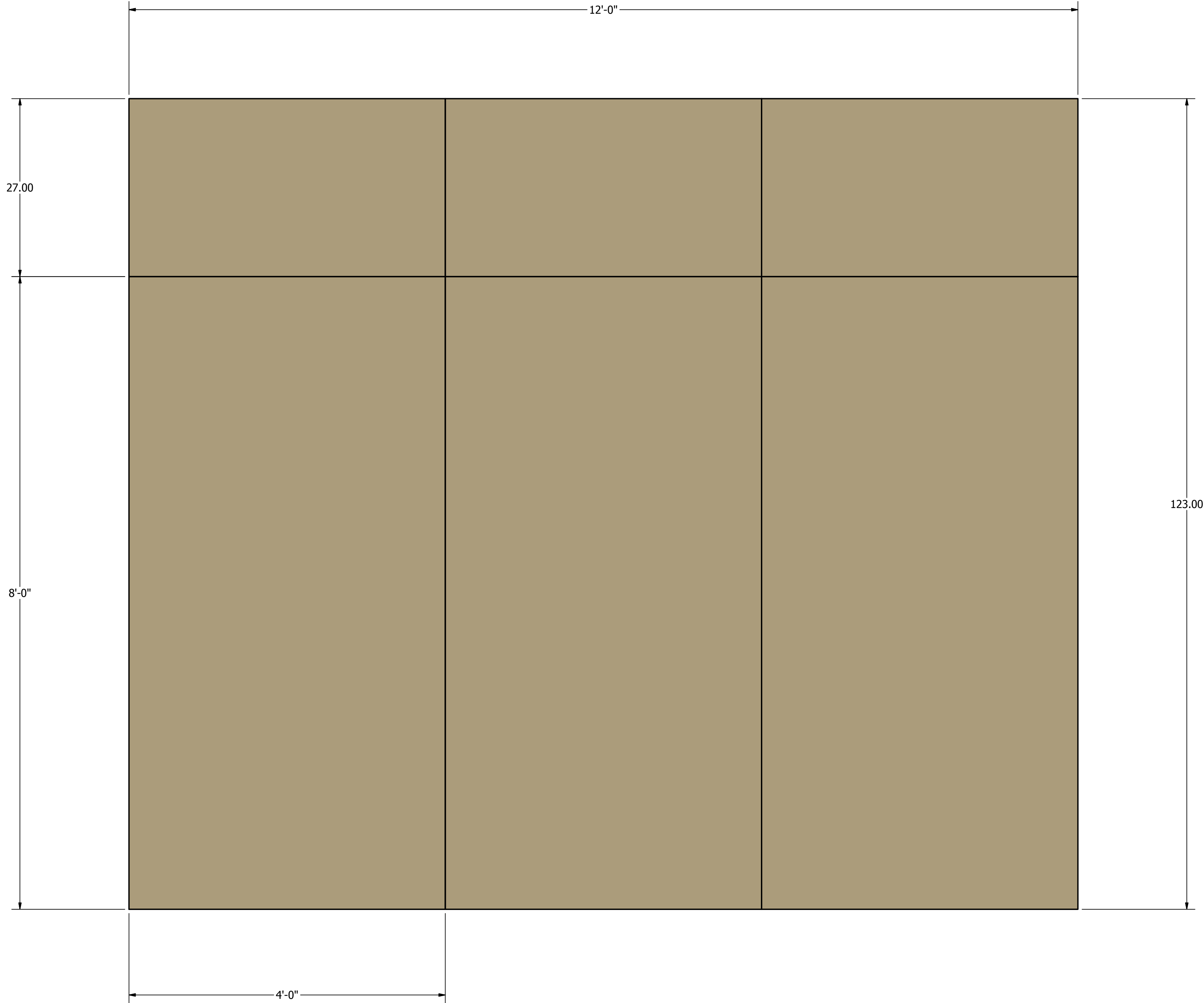


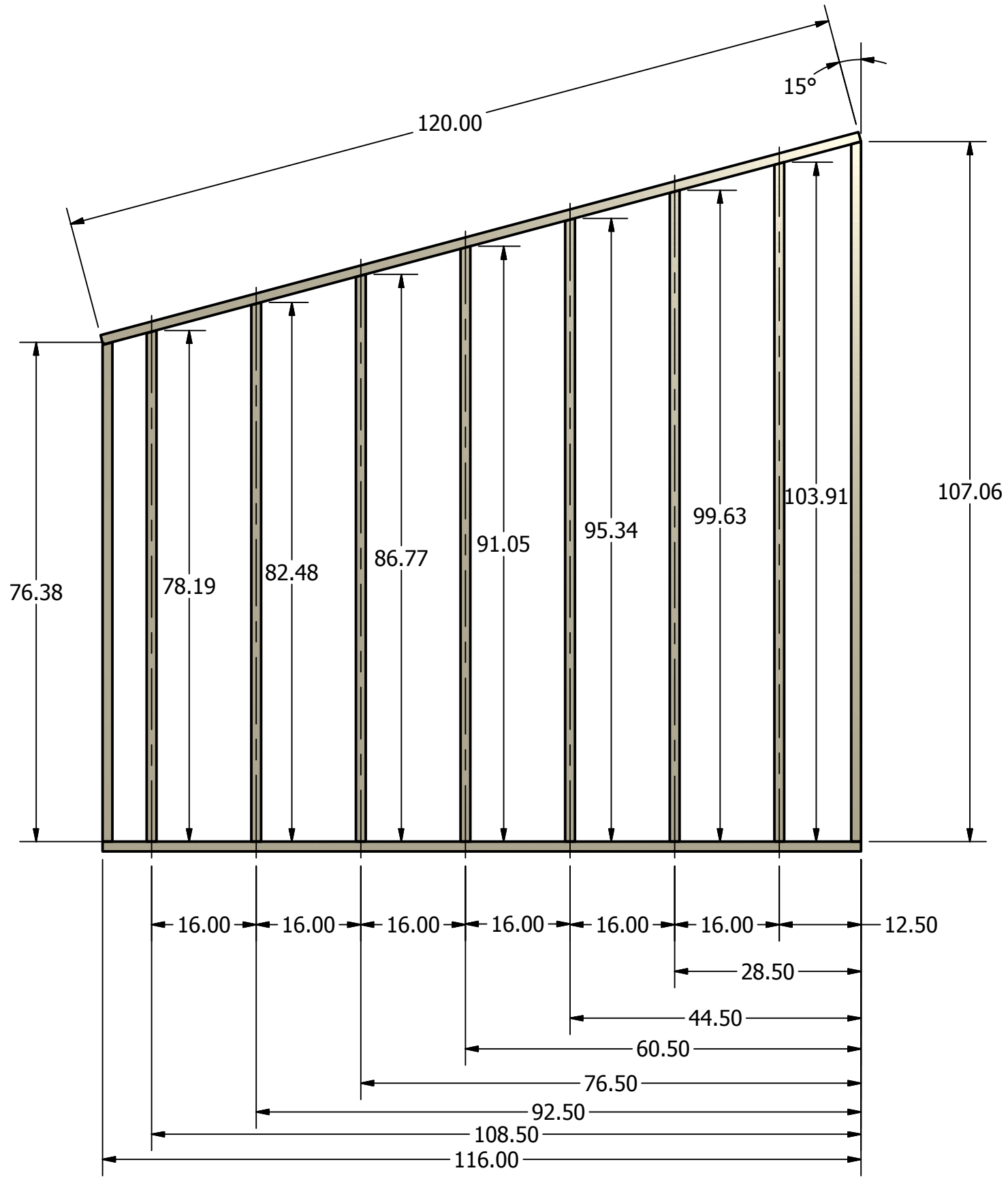
Structural floor detail



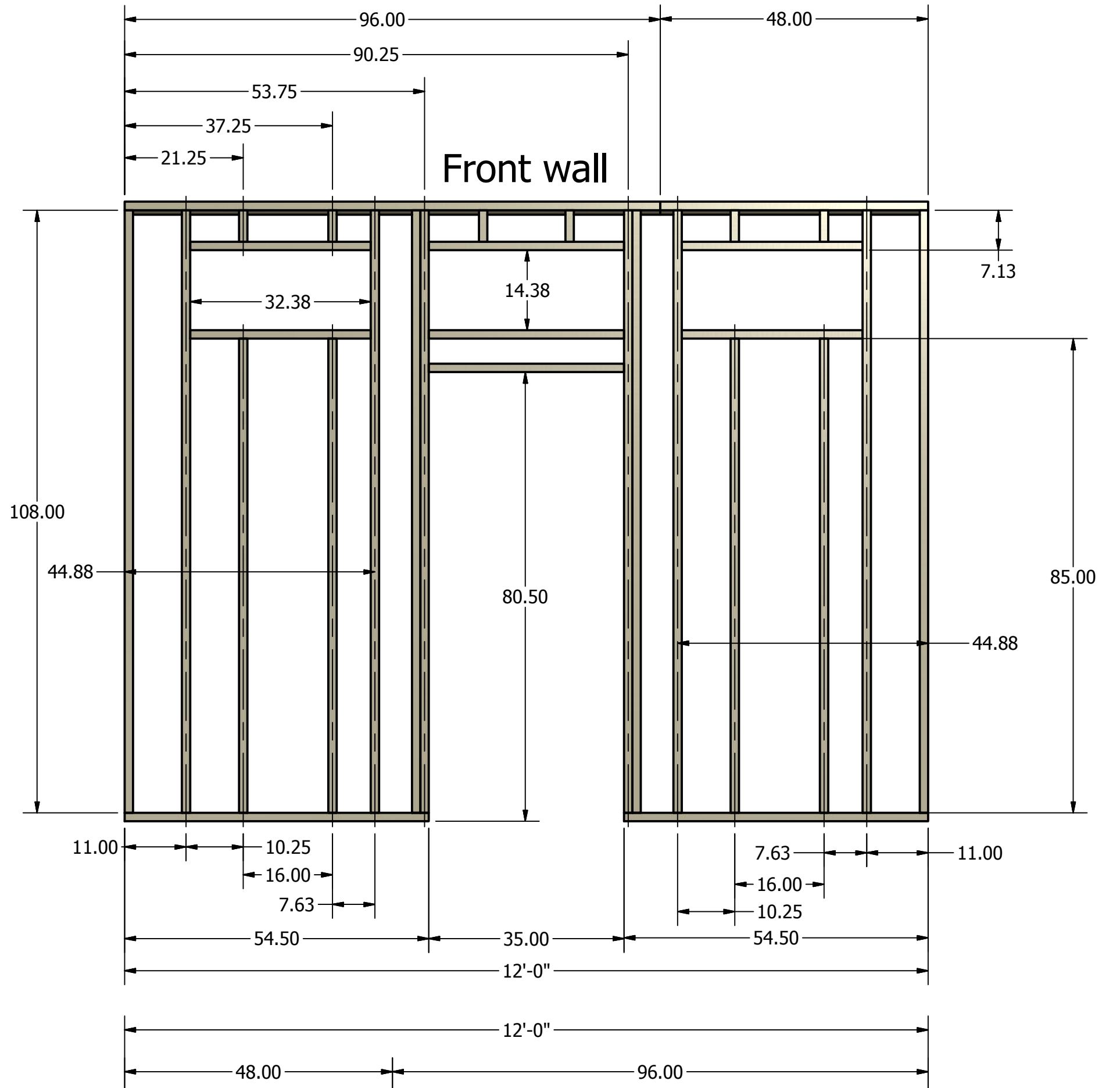
Floor boards



Structural walls details



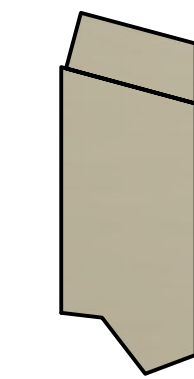
(2x) Side wall



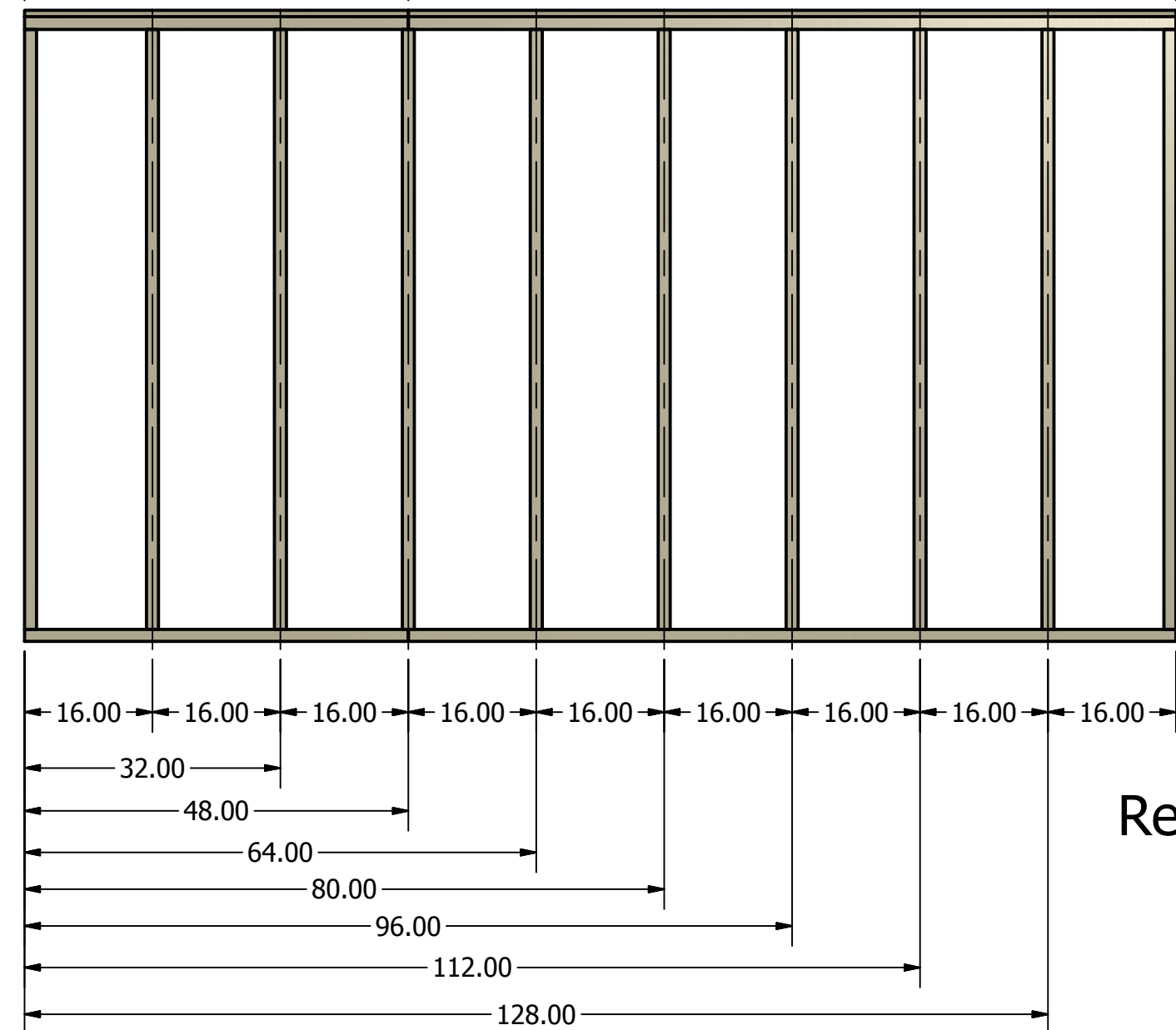
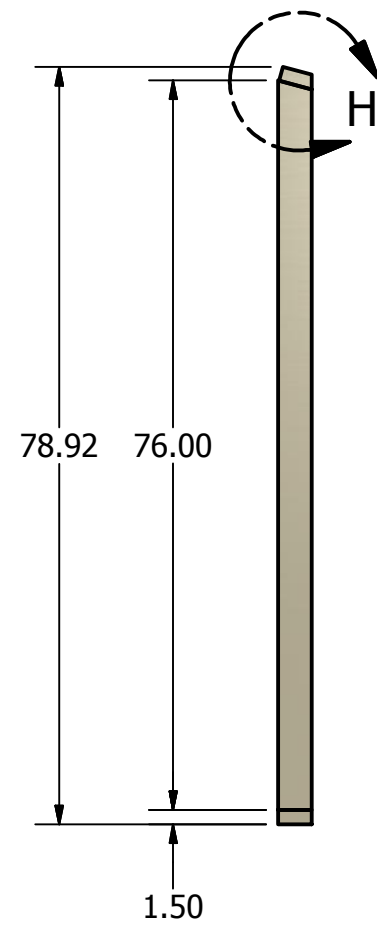
Front wall



DETAIL J
SCALE 1 / 5

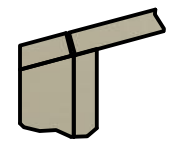
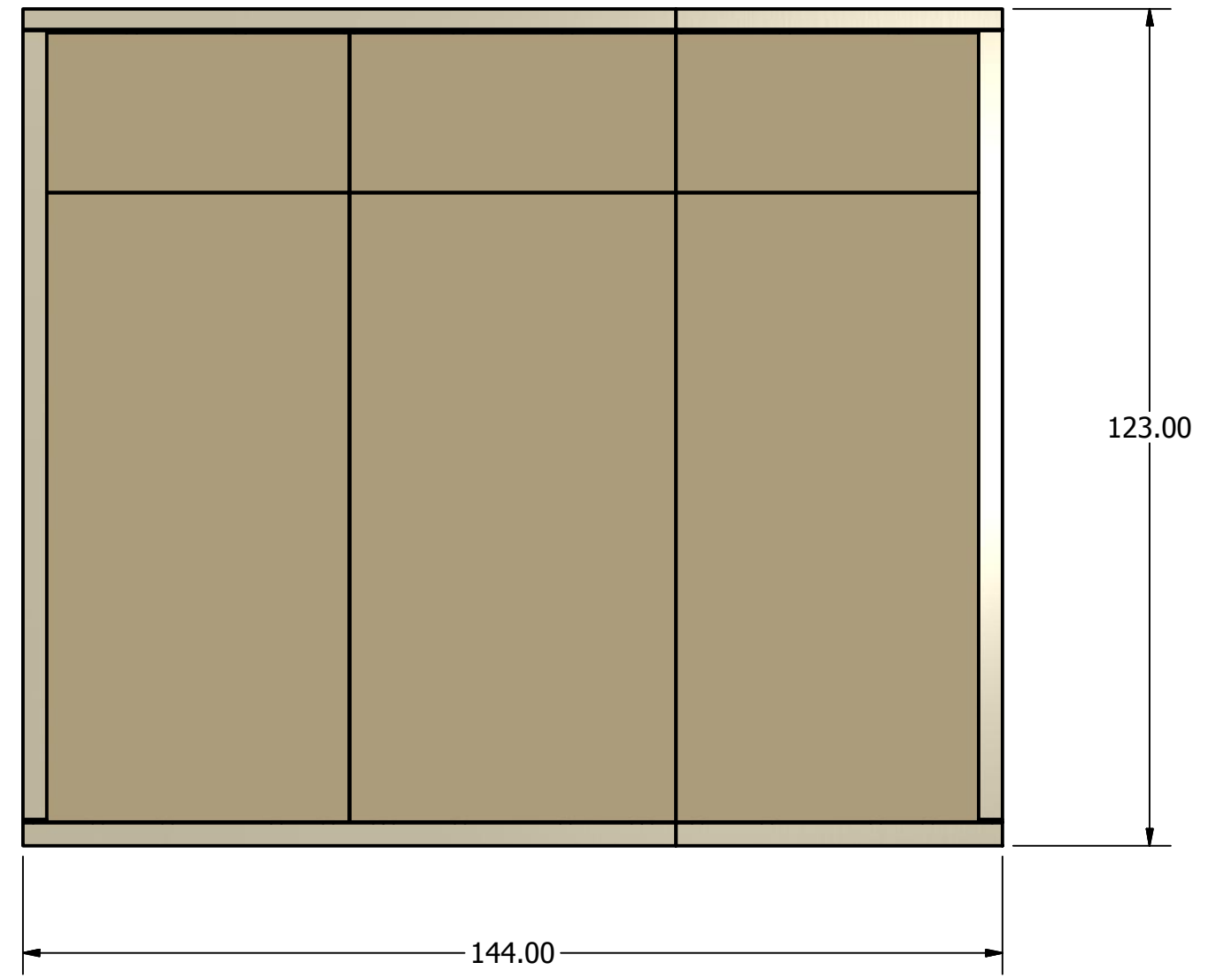
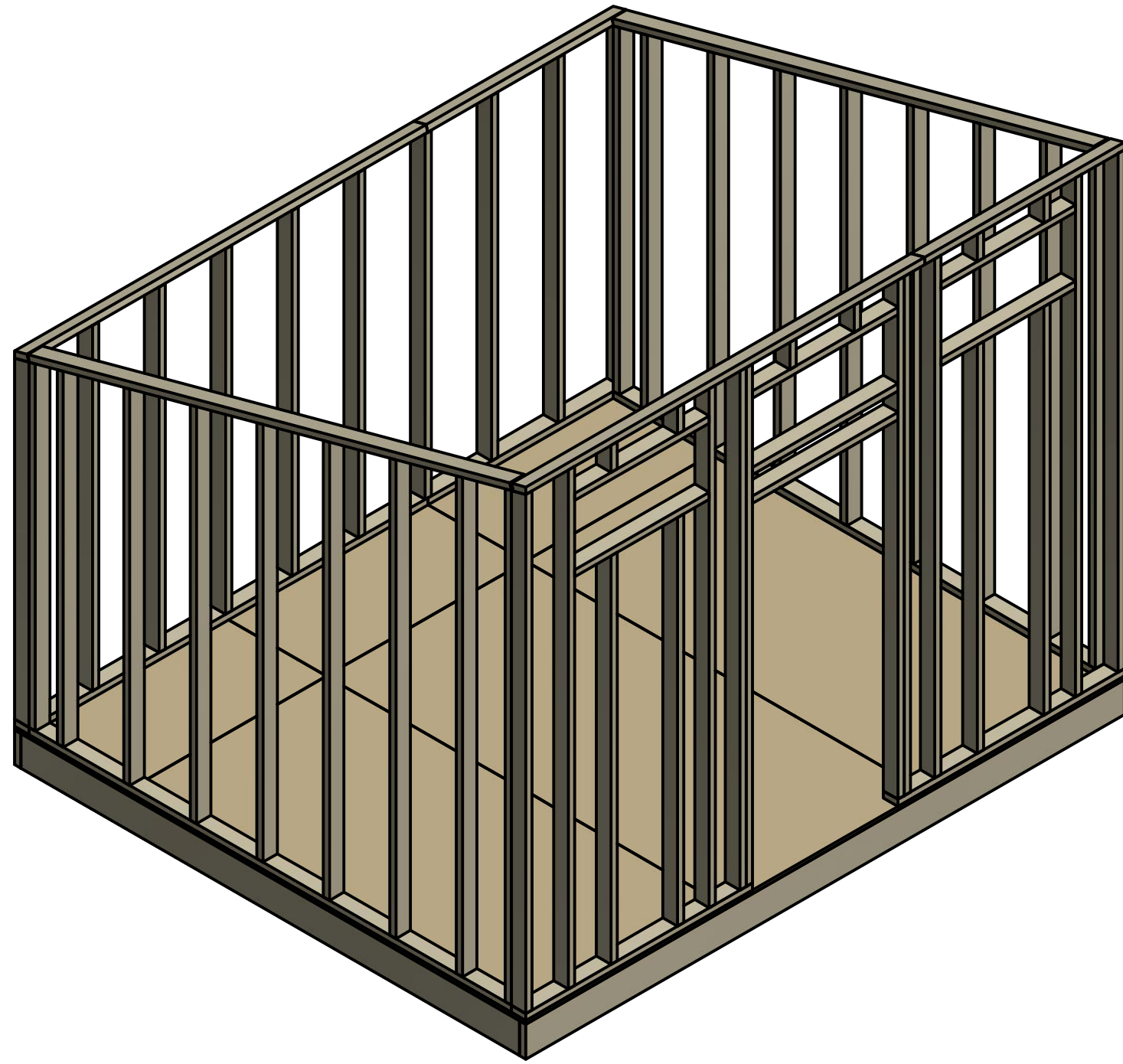


DETAIL H
SCALE 1 / 5

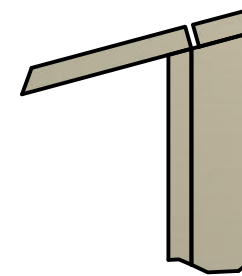
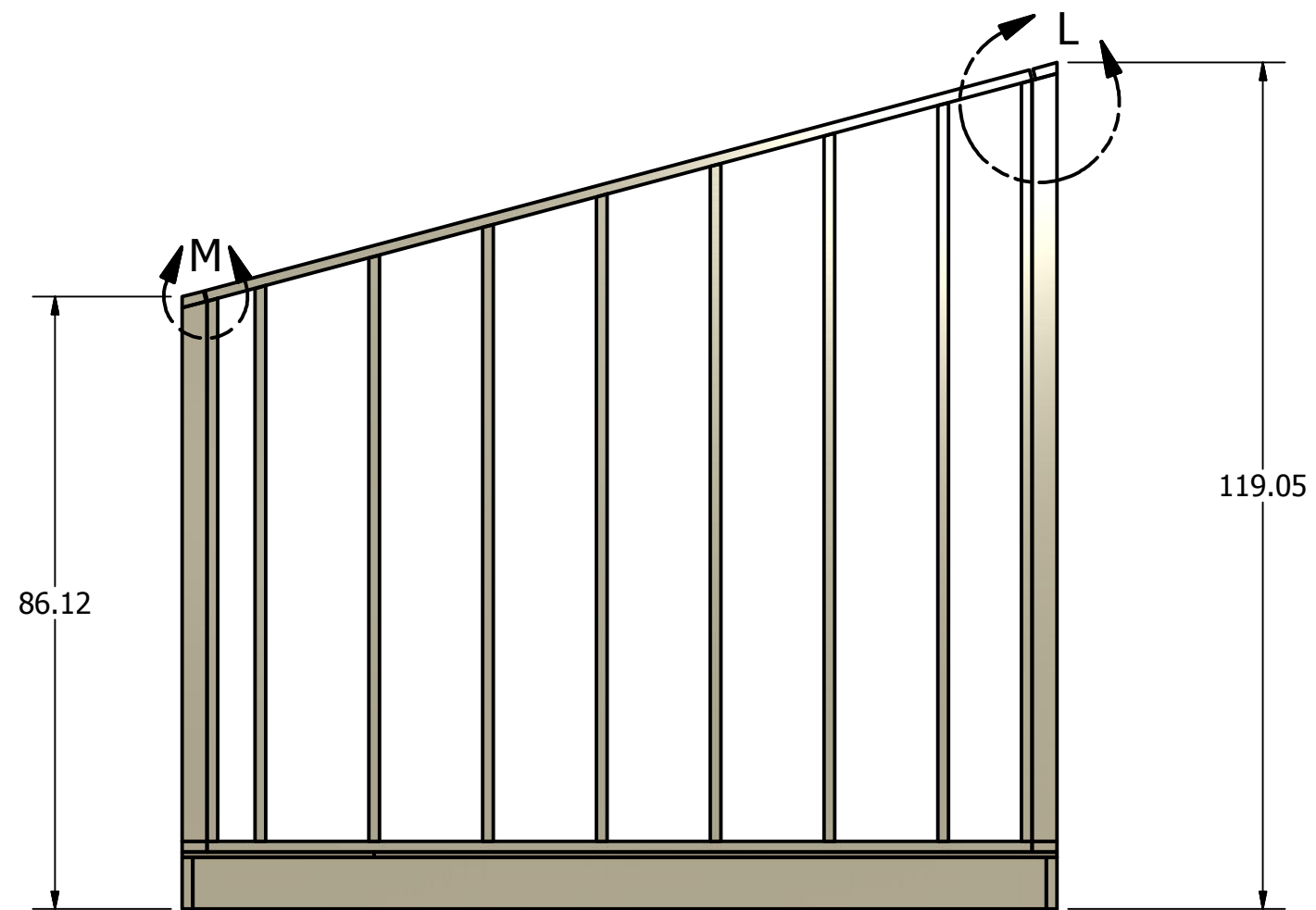


Rear wall

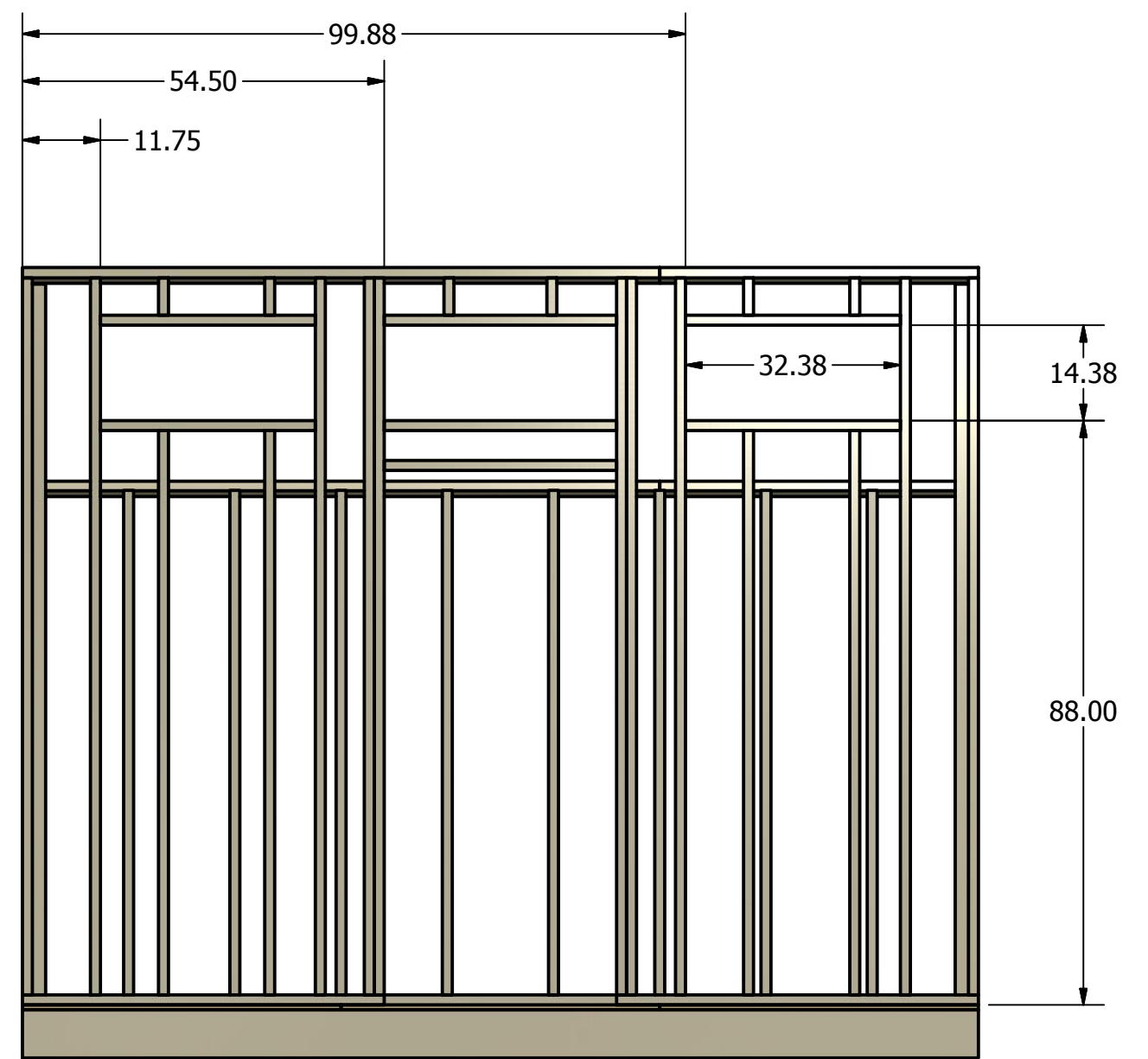
Walls assembly



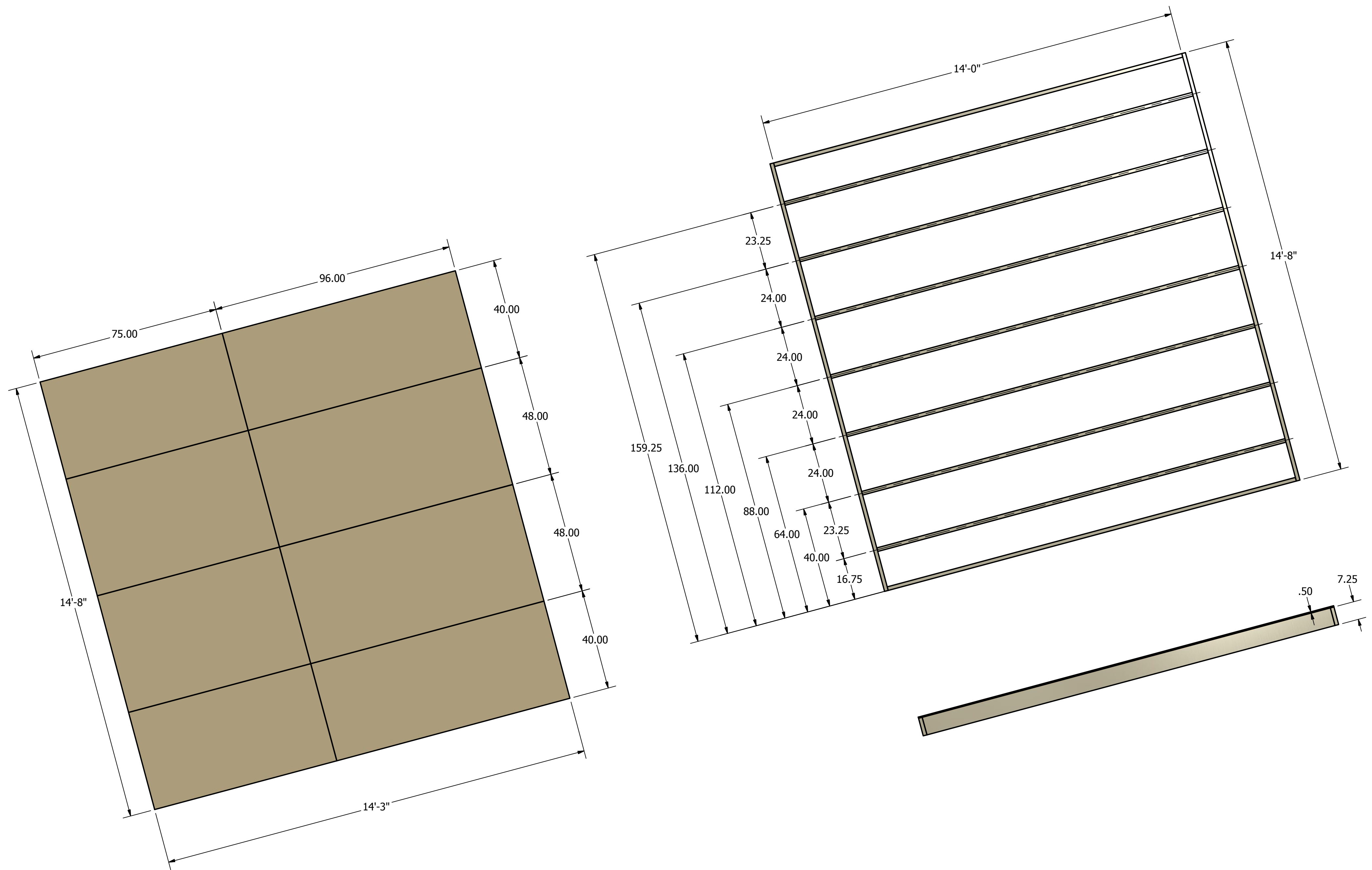
DETAIL M
SCALE 0.08 : 1



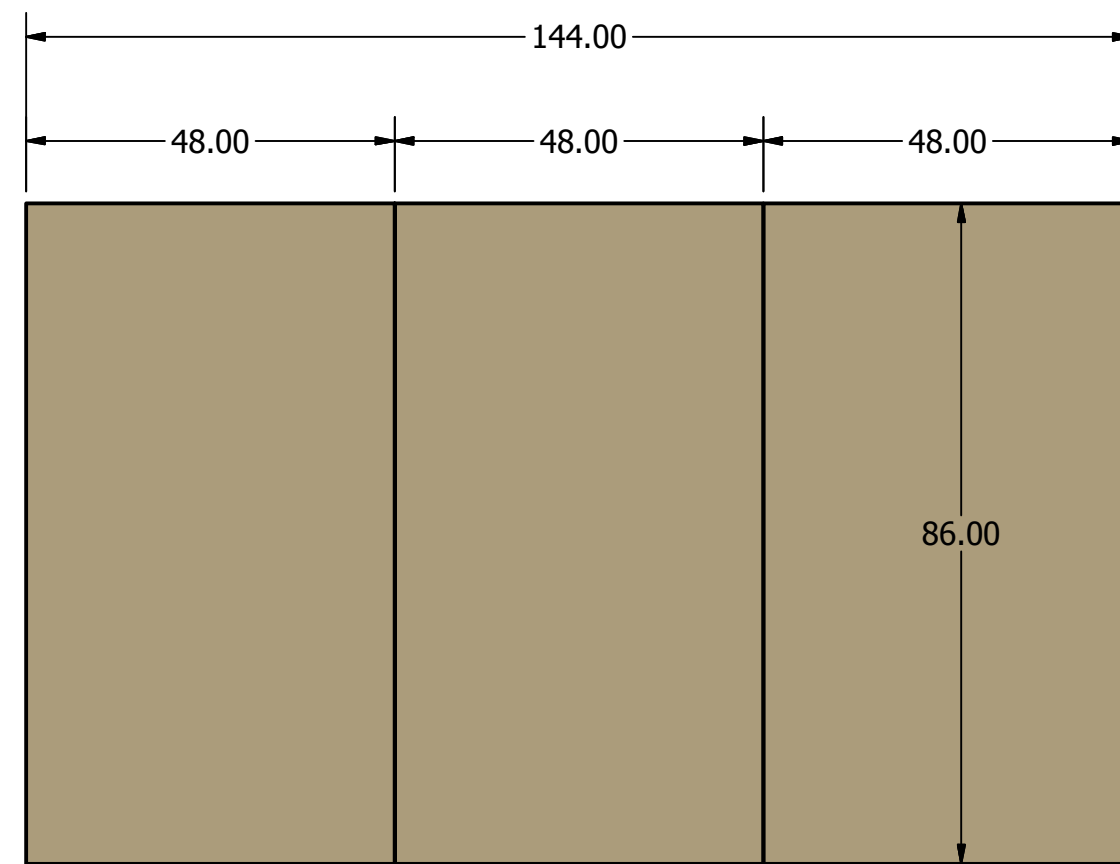
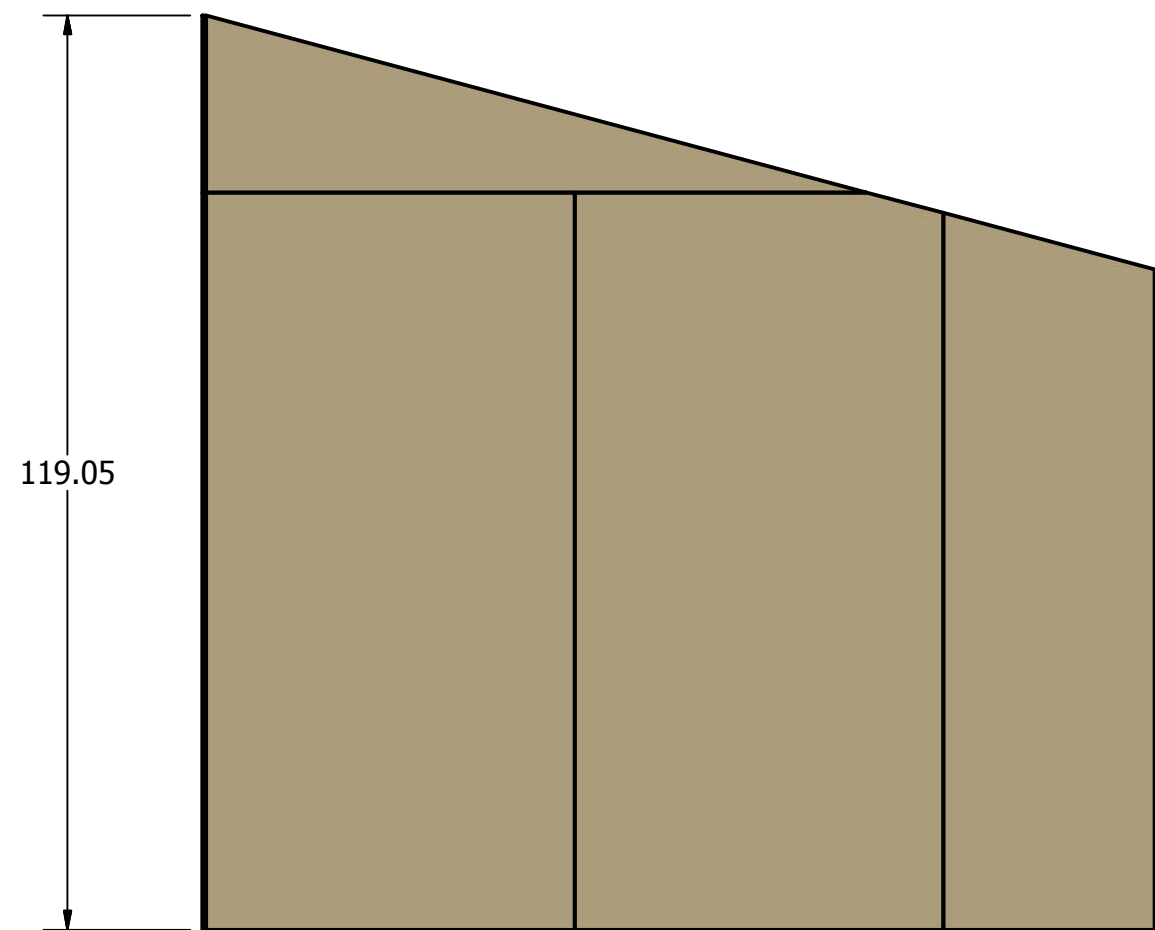
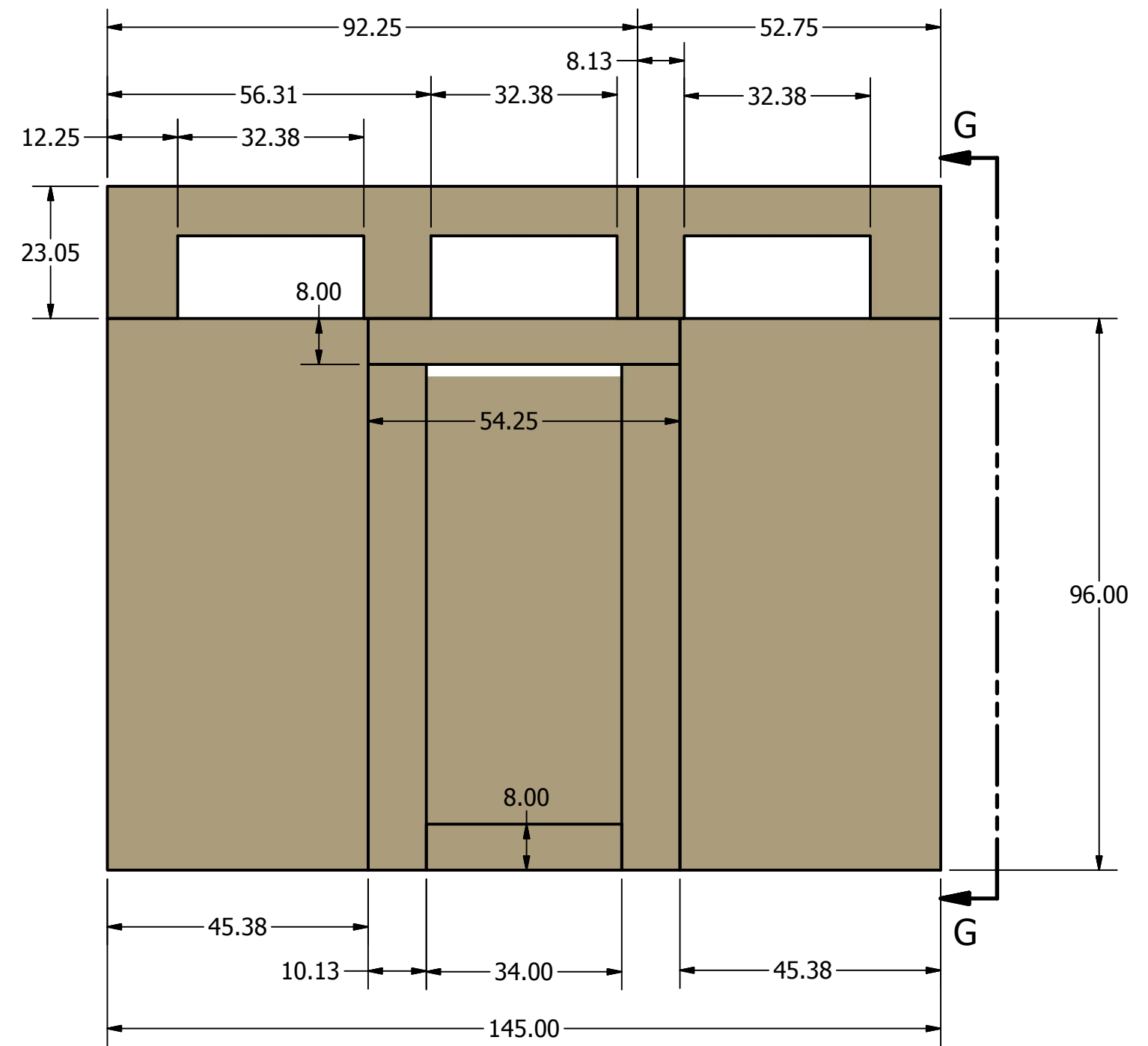
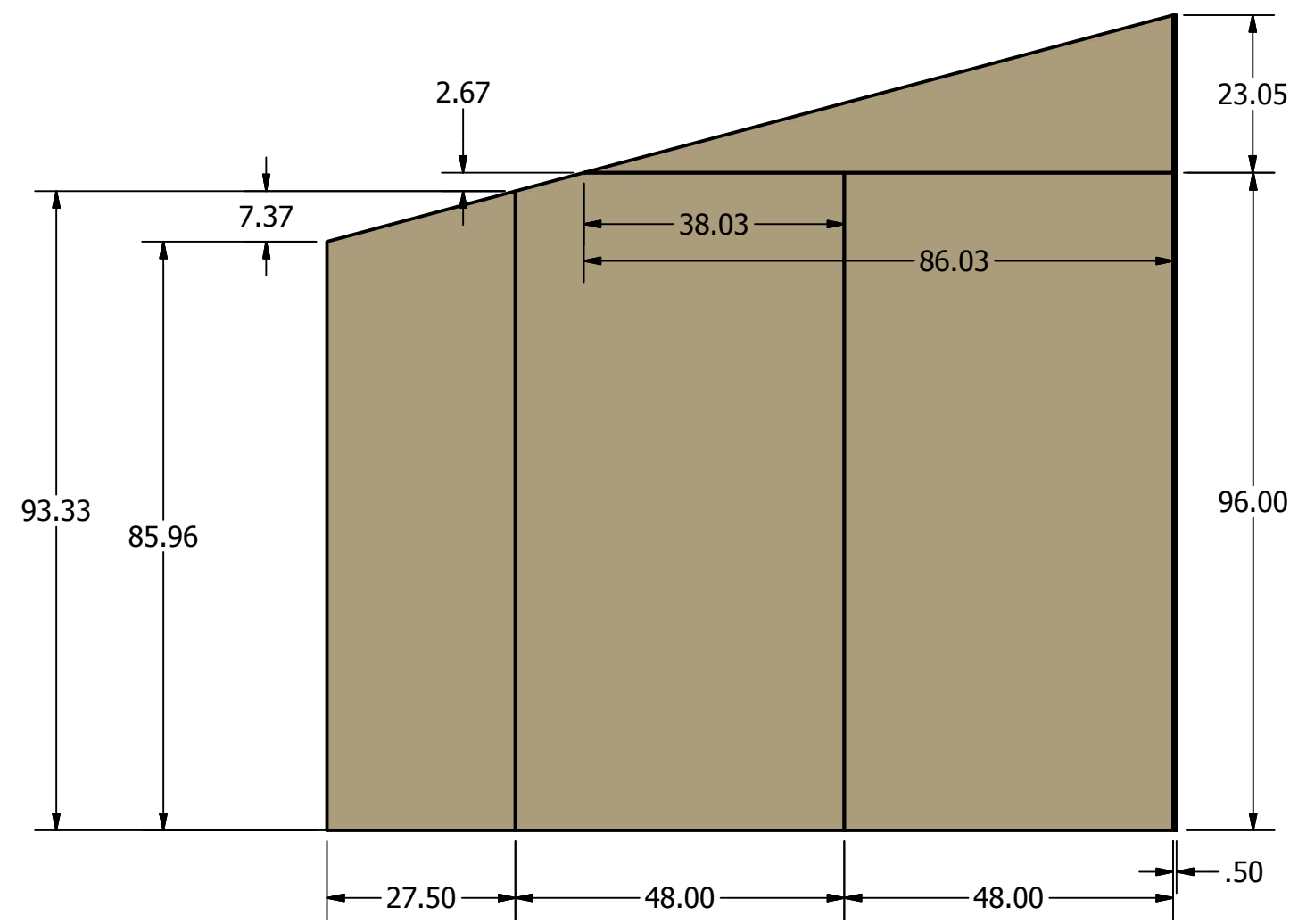
DETAIL L
SCALE 0.08 : 1



Structural roof

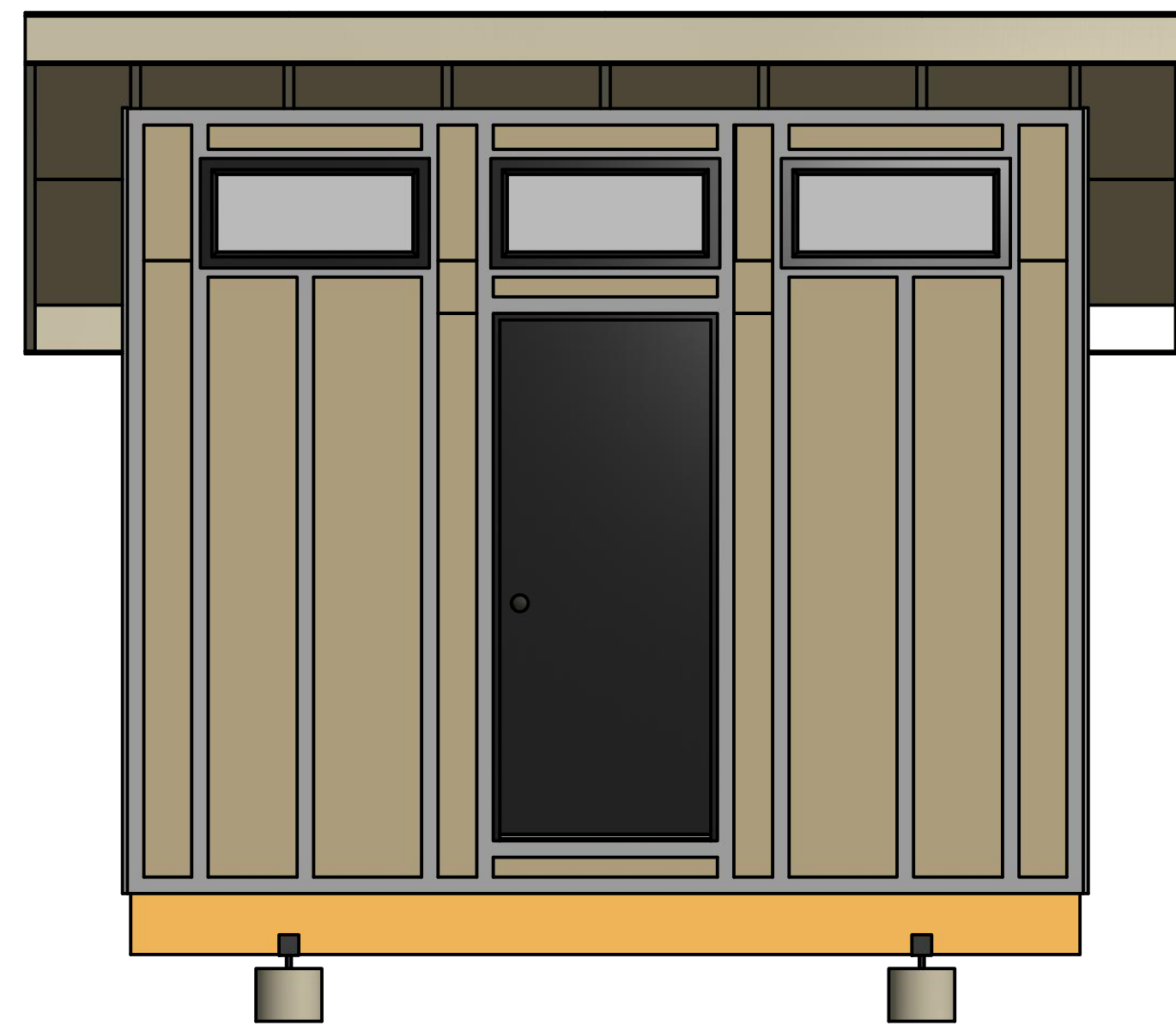
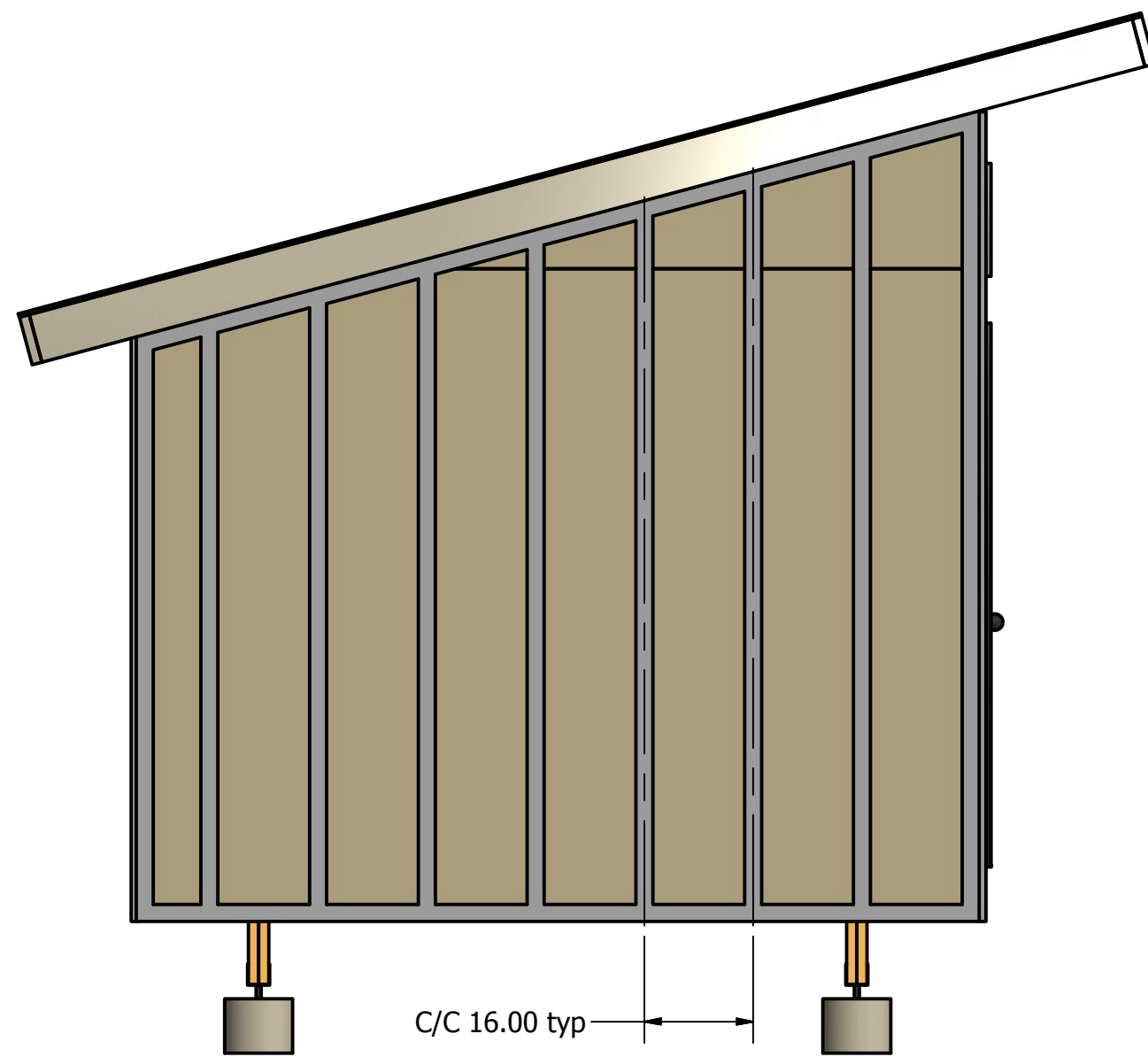
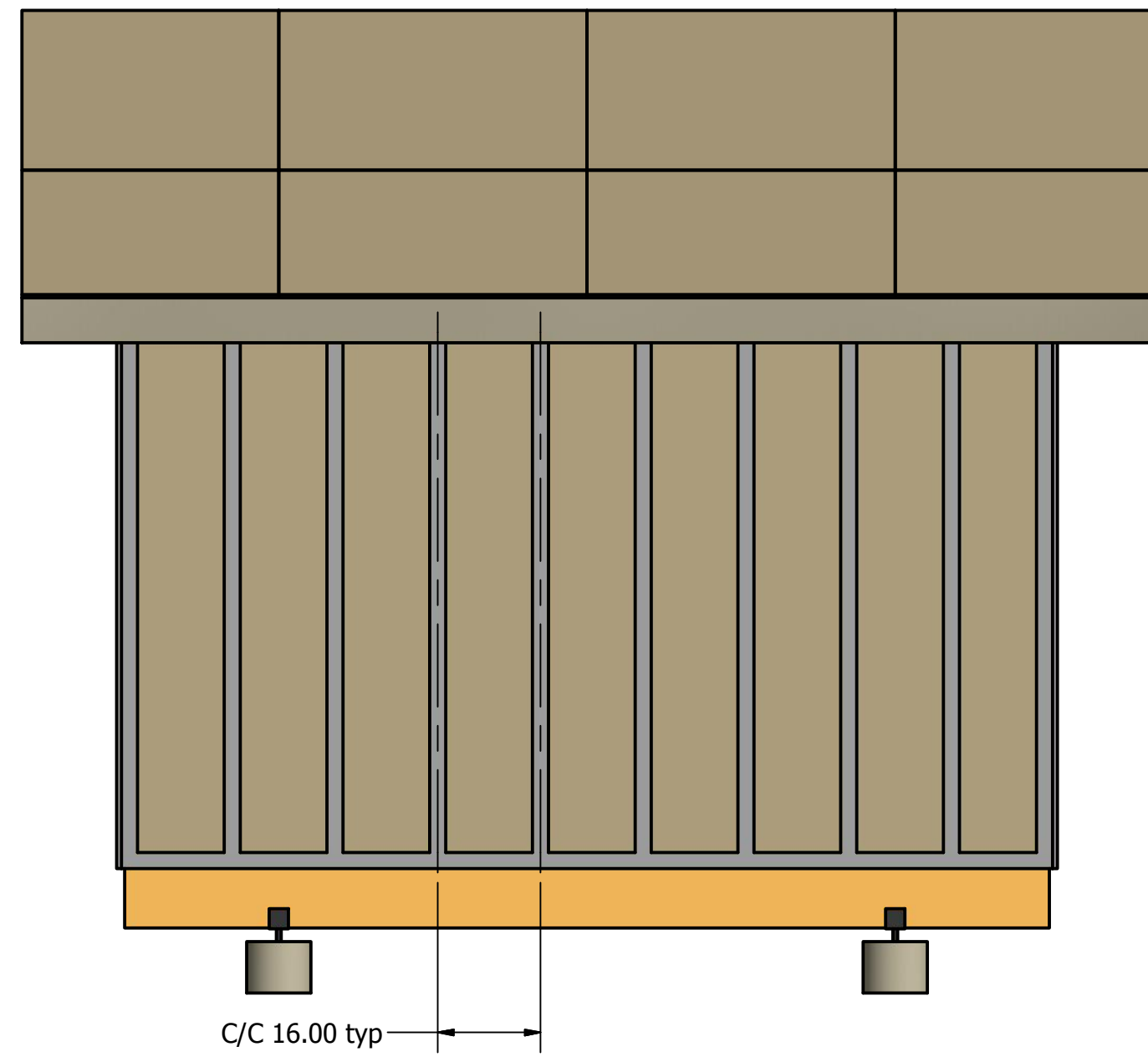
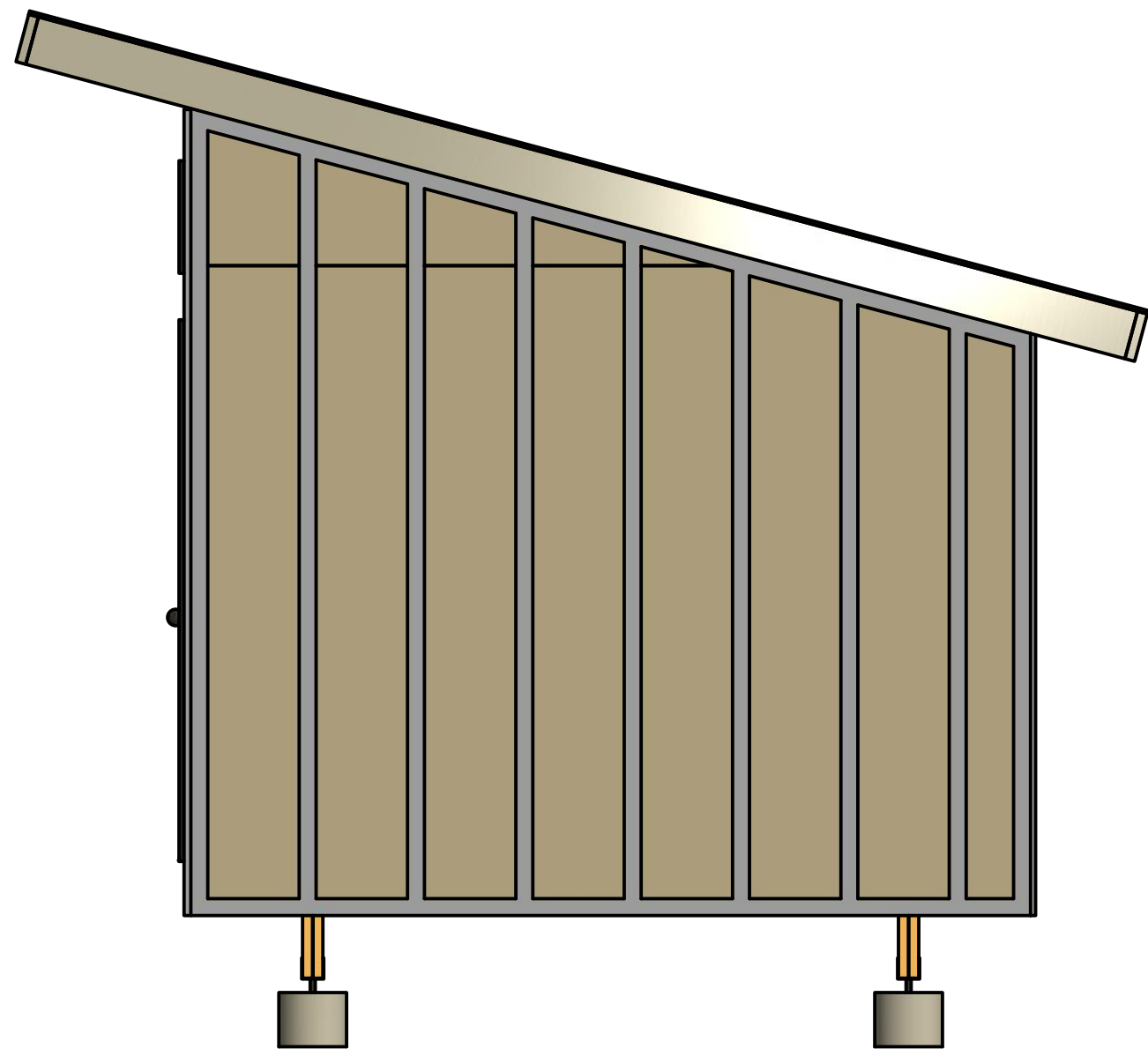


Walls boards detail

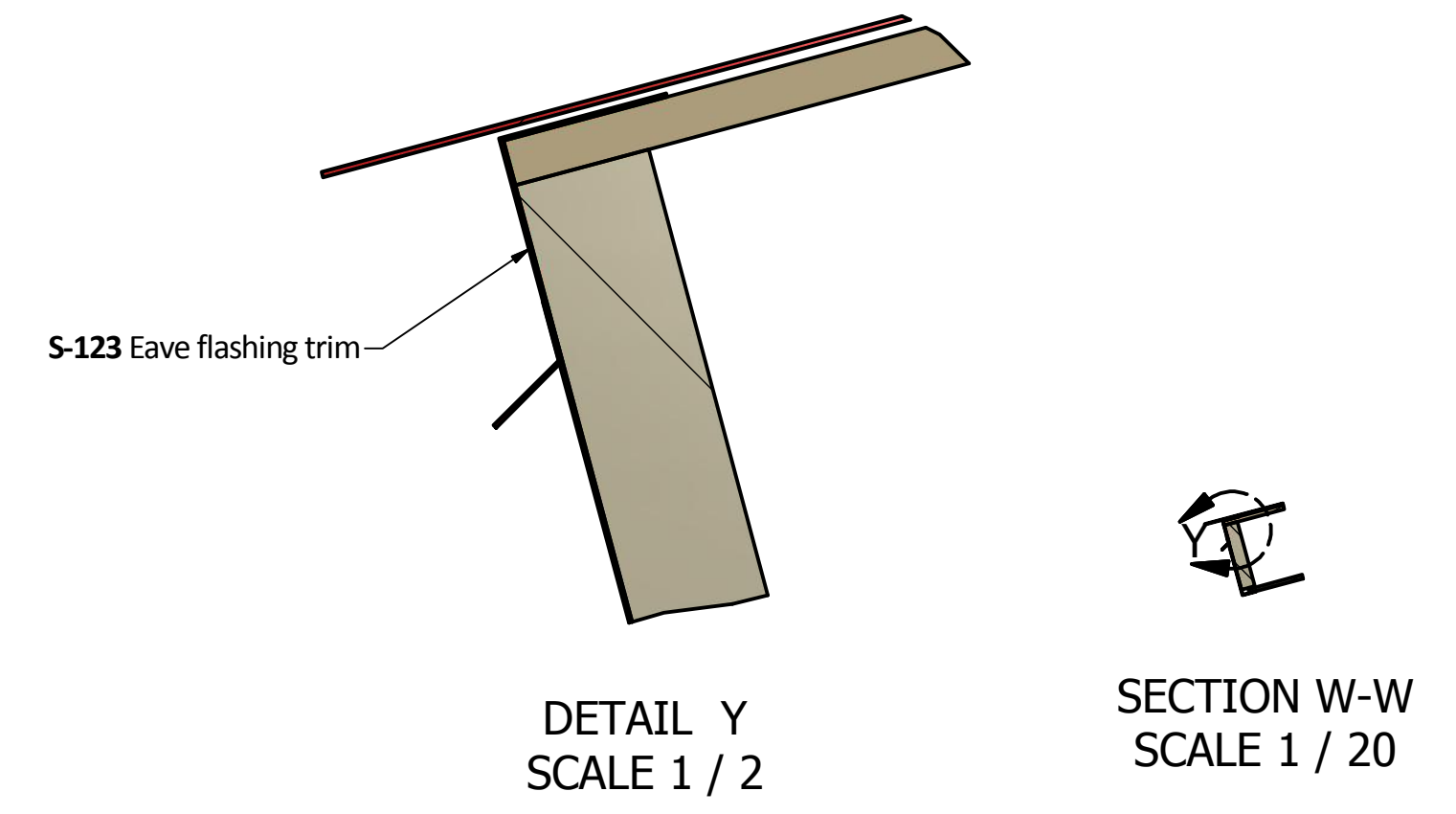
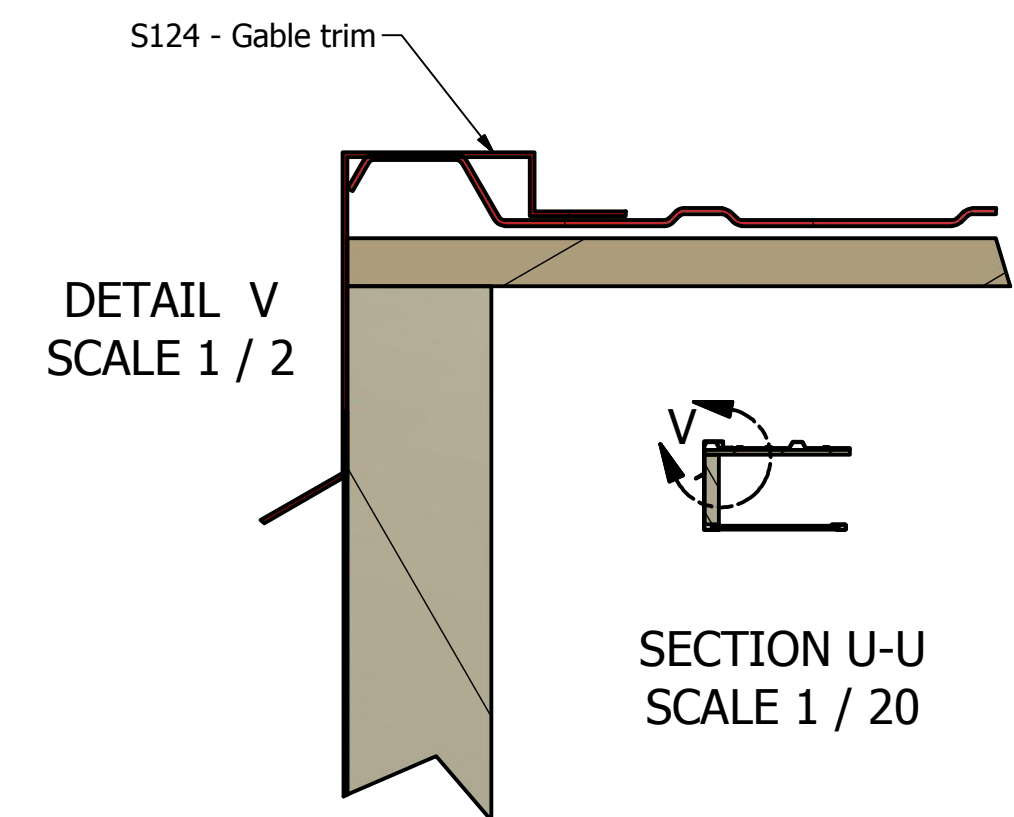
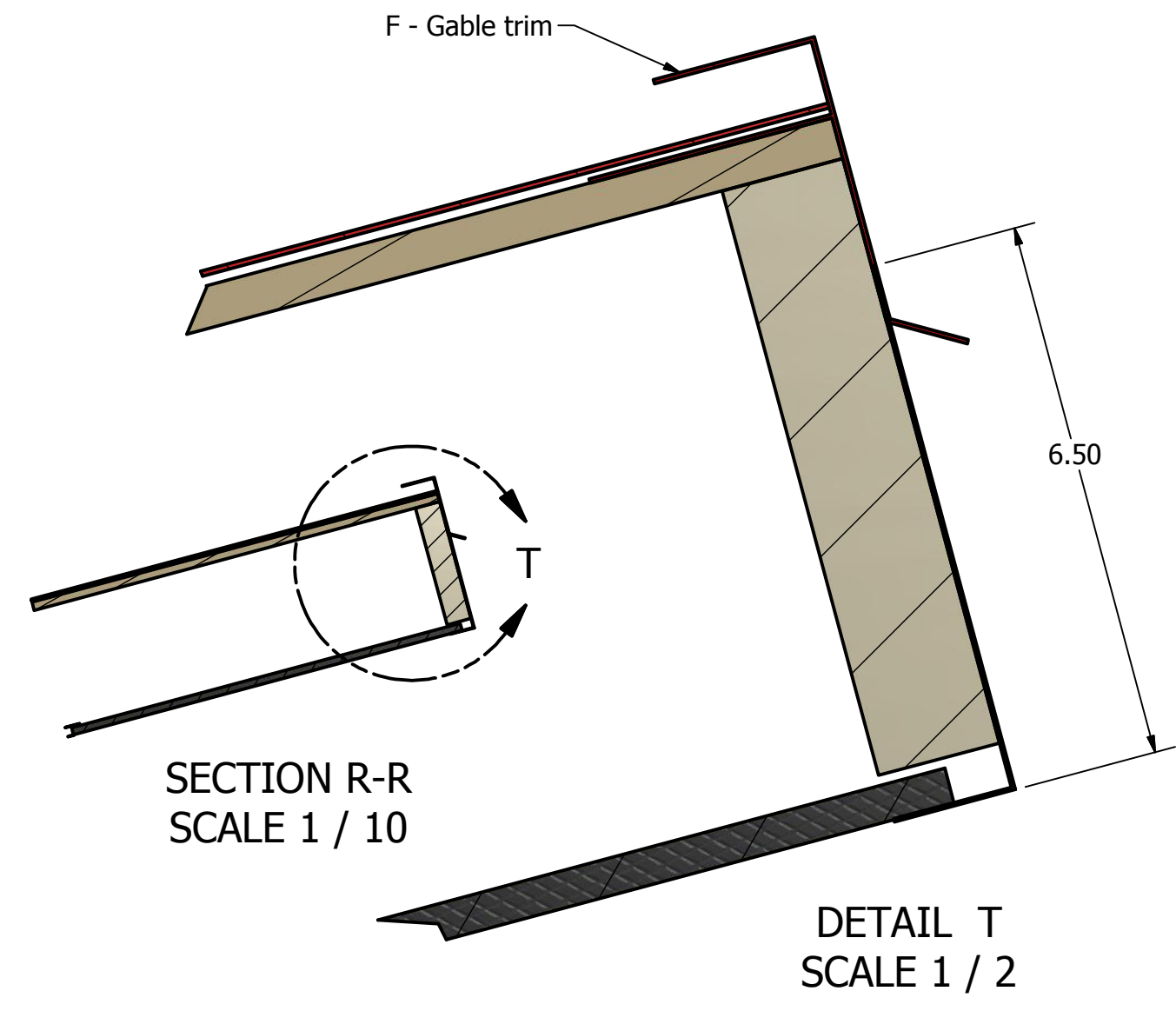
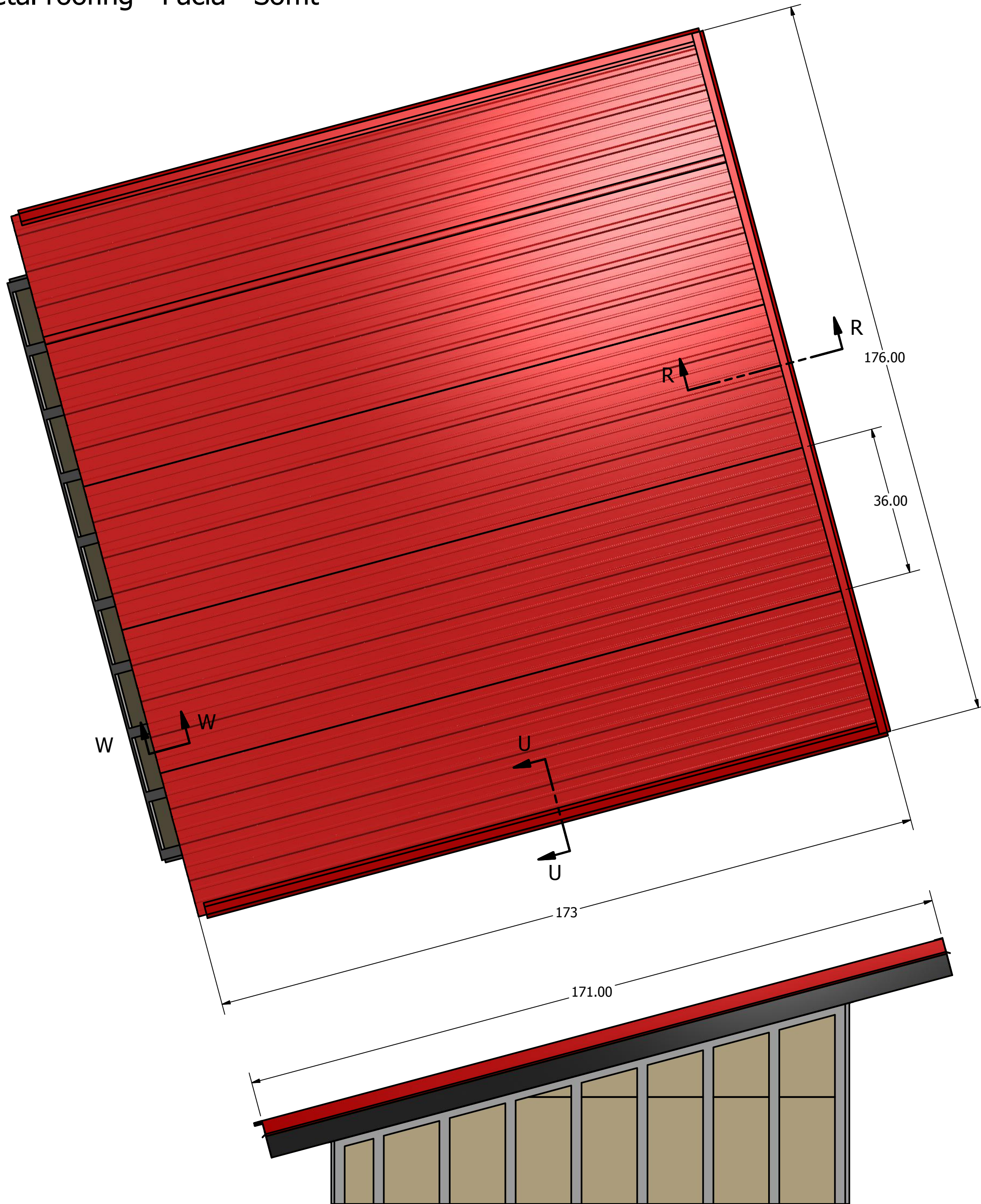


VIEW G-G
 SCALE 1 / 25

1x4 installation over Moisture wrap (Tyvek)

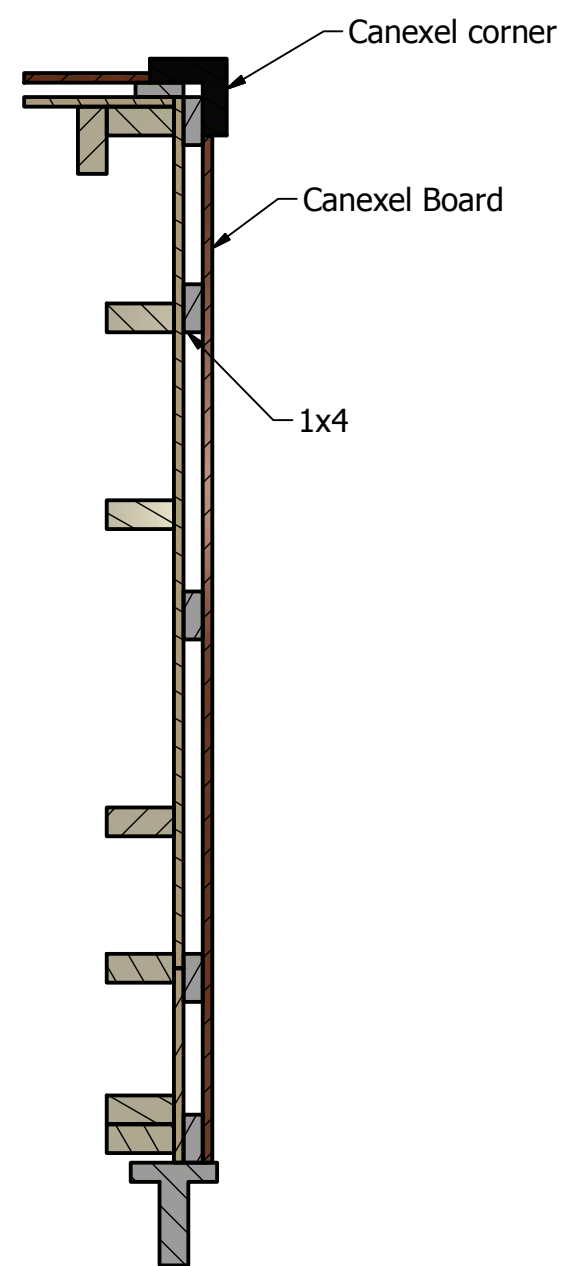
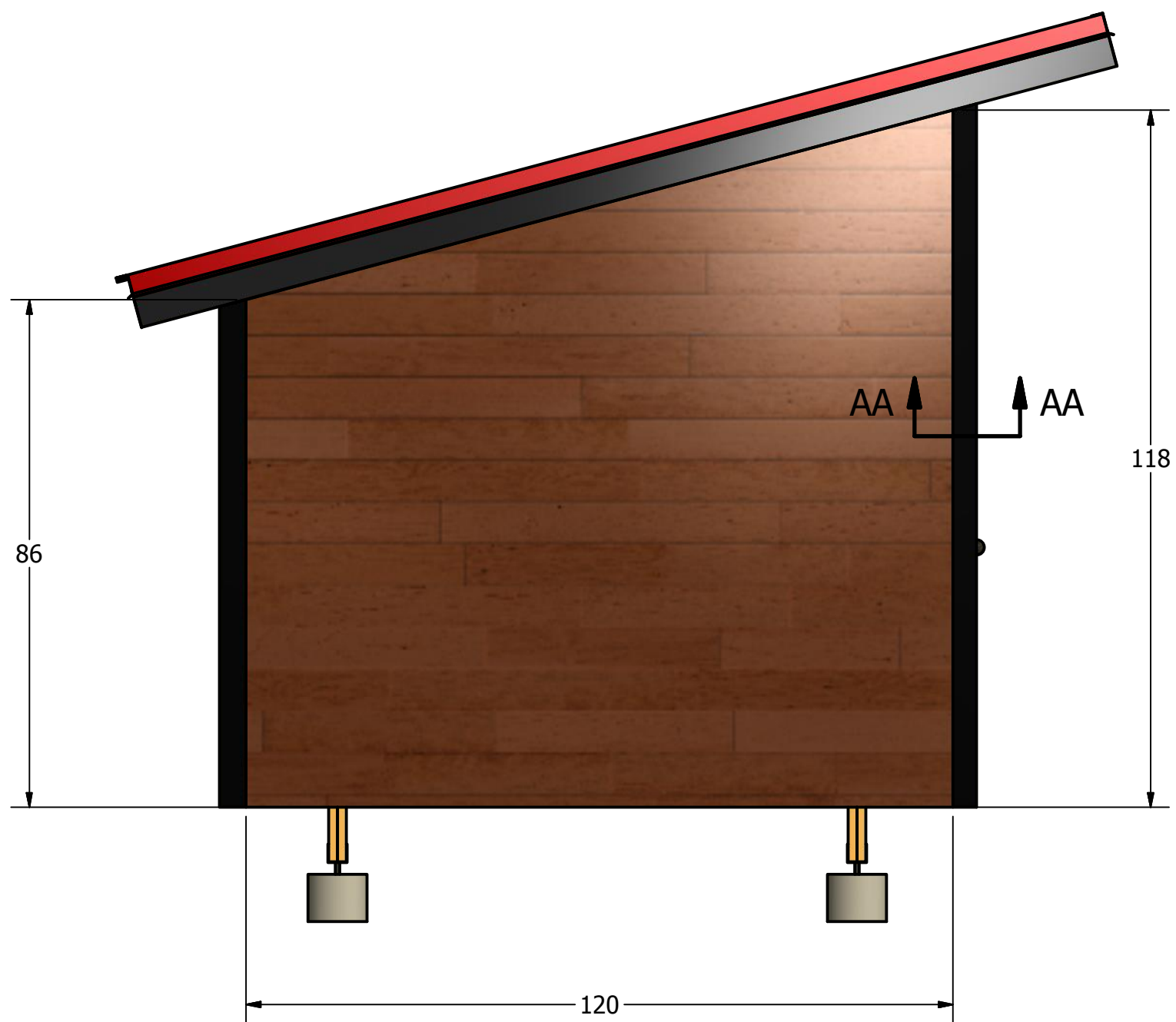
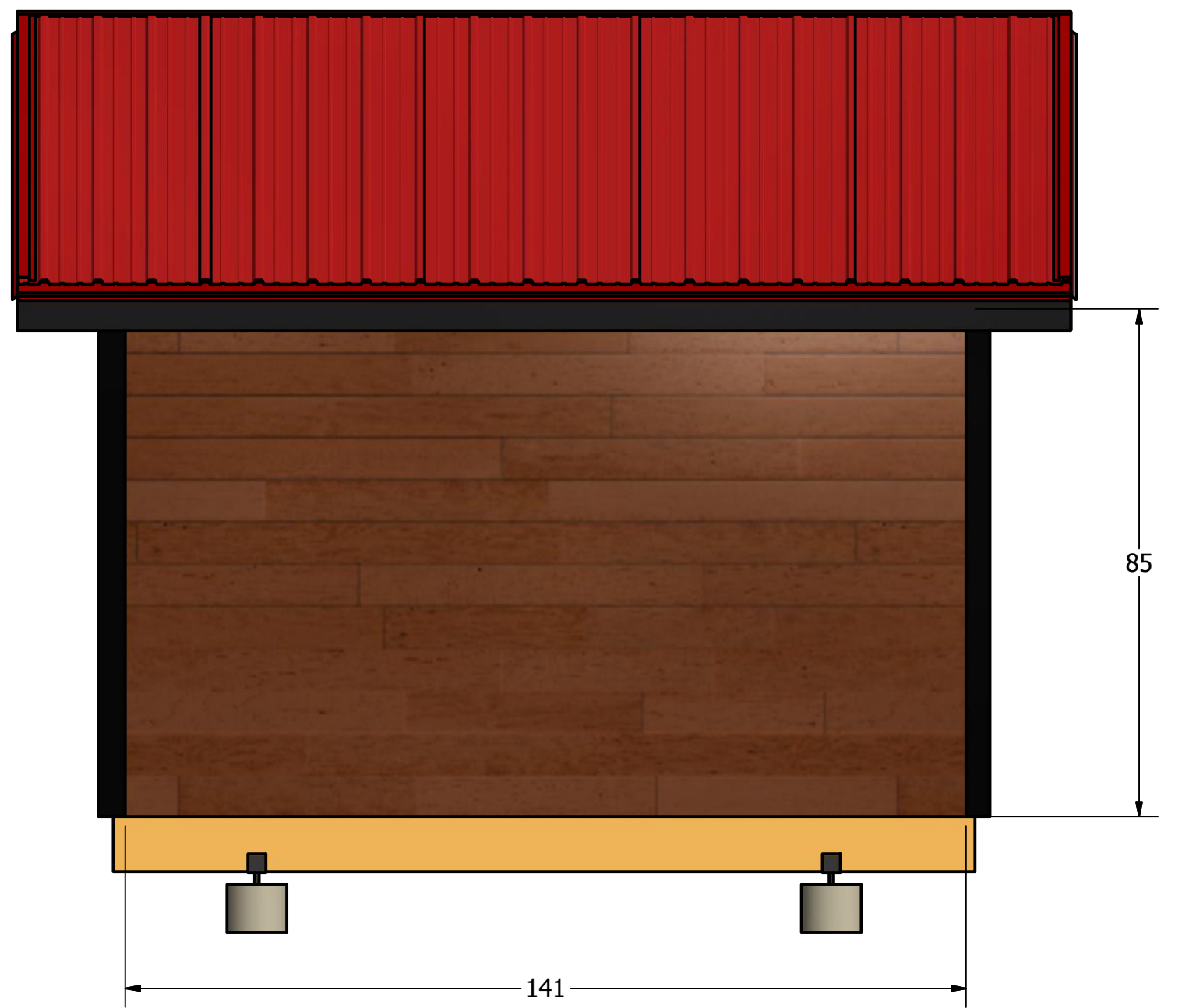
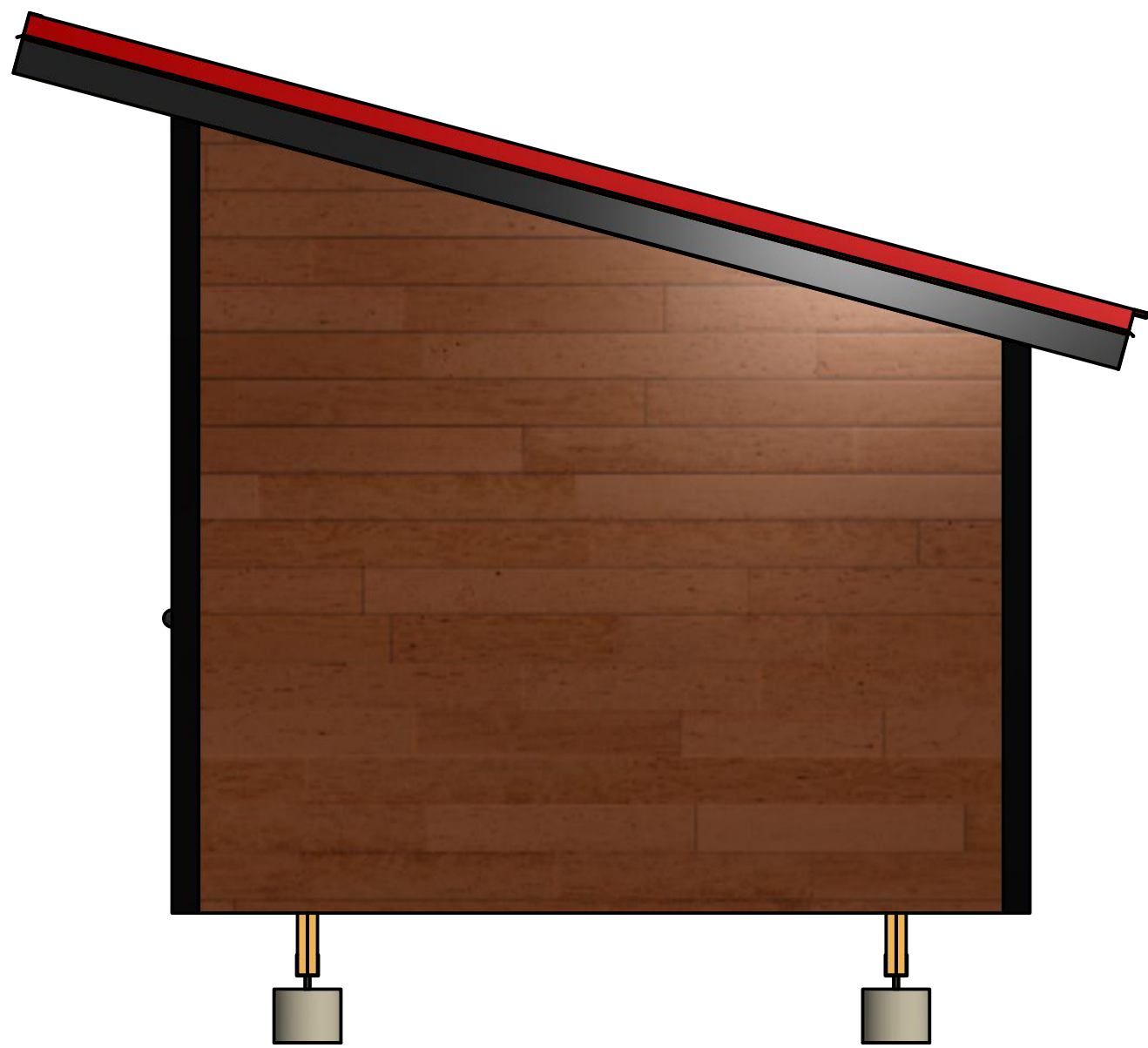


Metal roofing - Facia - Soffit



Siding

400 pi2 side board needed



SECTION AA-AA
SCALE 1 / 10

