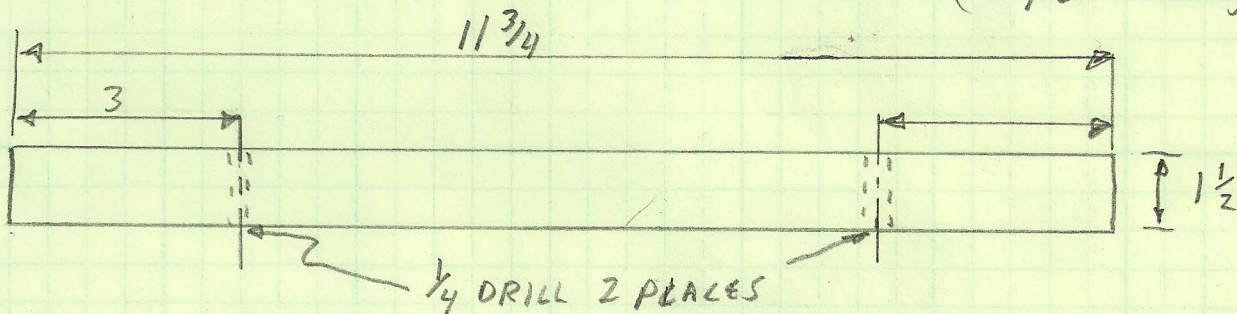


ALL MAT'L $\frac{3}{4} \times \frac{1}{2}$ HARDWOOD

ALL DIMS IN INCHES, NOT TO SCALE

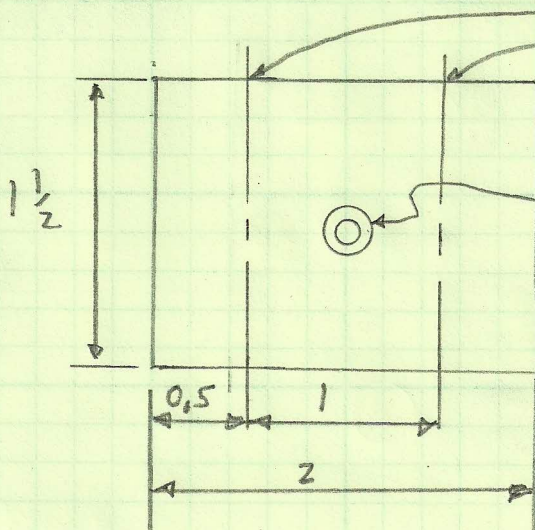
DRAWER
SLIDE
MOUNTS (F)

(2 PCS REQ'D)



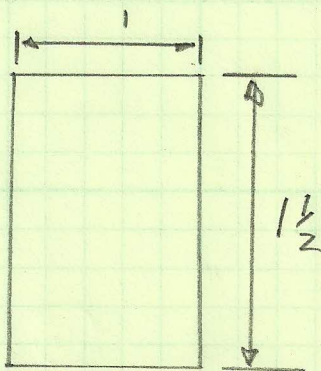
CABLE
MOUNT

(G)



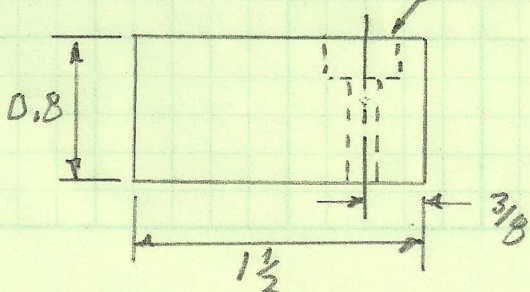
OPTO SENSOR MOUNT

(H)



(I)

MICROSWITCN MOUNTS
2 REQ'D



$\frac{1}{2}$ DIA x $\frac{1}{4}$ DEEP C'SINK
 $\frac{3}{16}$ DRILL THRU
CENTER WITHIN $\frac{3}{4}$ BOARD