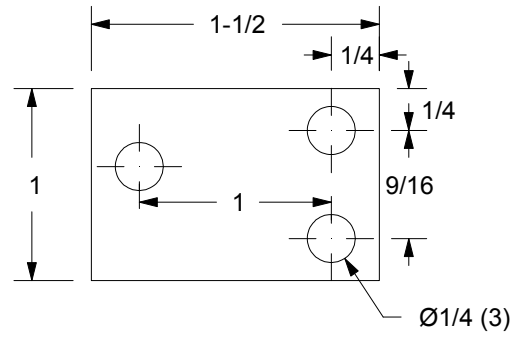
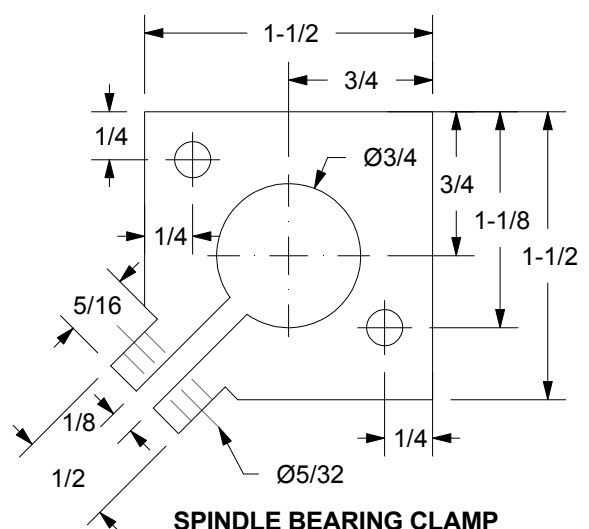


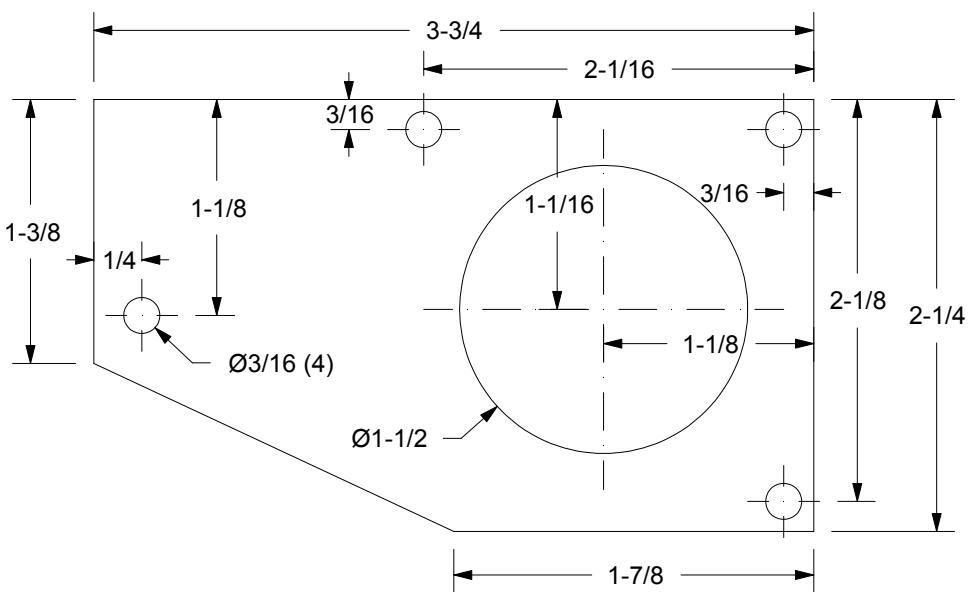
SPINDLE MOTOR PLATE
MATERIAL 3/8" PLY



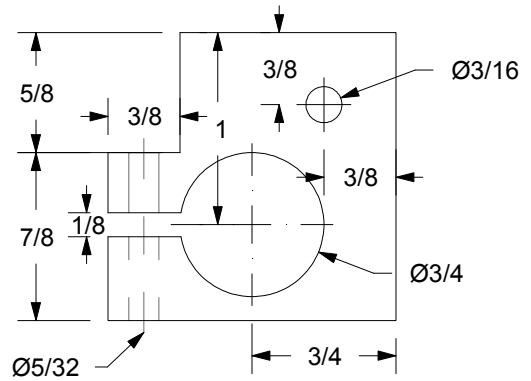
ANTI BACKLASH NUT
2 REQUIRED
MATERIAL 3/8" THICK HDPE



SPINDLE BEARING CLAMP
2 REQUIRED
MATERIAL 3/8" PLY



STEPPER MOTOR PLATE
MATERIAL 1/2" MDF



Z-AXIS BEARING CLAMP
MATERIAL 3/8" PLY

PART NAME:		SLED PARTS	
DRAWN BY:	NC	NO. REQ:	1
DATE:	22/4/2012	UNITS:	INCHES
SCALE:	1" = 1"	SHT:	1 OF 1
SIZE:	LETTER	REV:	0