

SMALL BOX

120 mm

15 mm



Top View

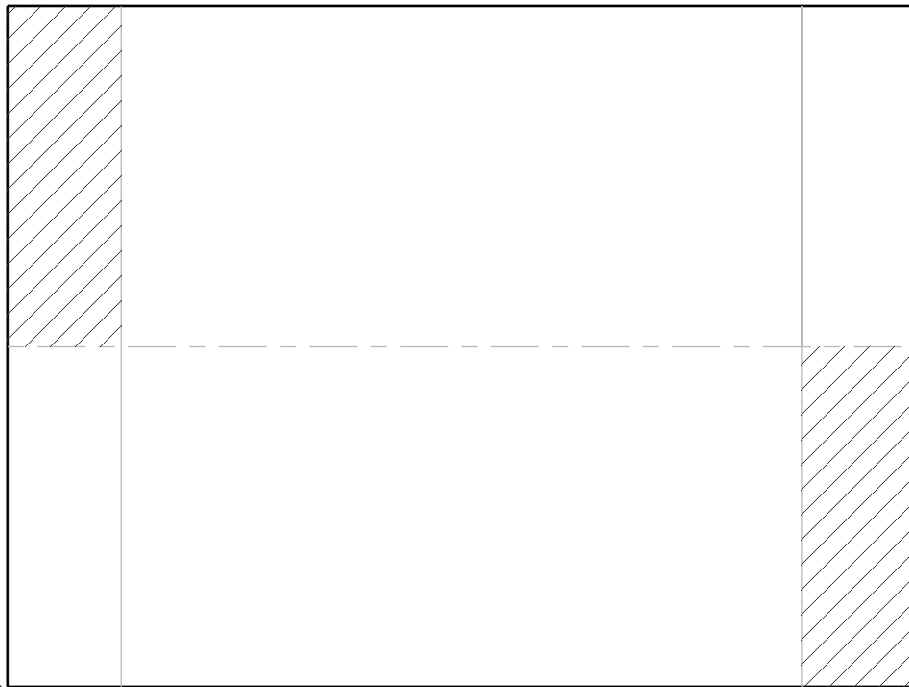
90 mm

45 mm

15 mm

15 mm

Front View



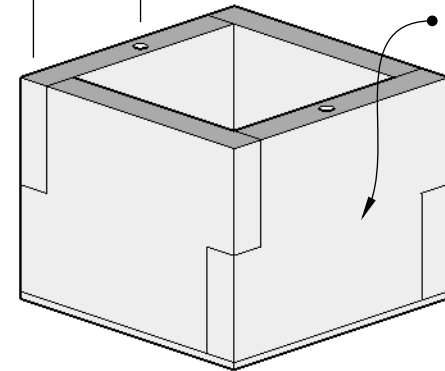
Material

sides = pine 120 x 90 x 15mm

Base and top = 3ply 2 @ 120 x 120 x 3

60.0 mm

6.5mm Dia hole
drilled 30mm
deep



box cut
through
here to
create lid

