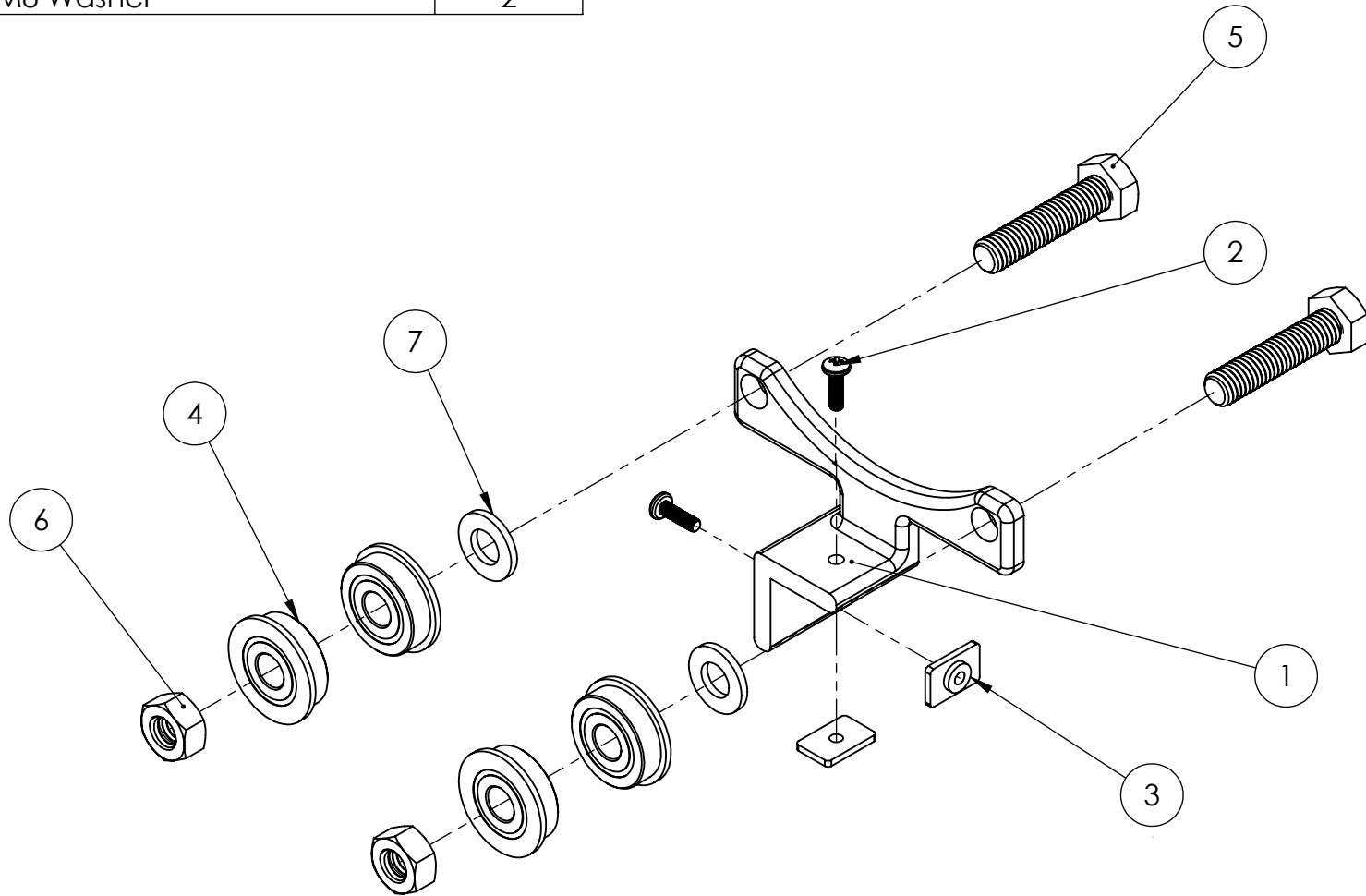


ITEM NO.	PART NUMBER	QTY.
1	Spool Holder Aluminum	1
2	M3 Pan Head x 10mm	2
3	Square Nuts	2
4	F608ZZ Flanged Ball Bearing	4
5	M8 x 35mm Cap Screw	2
6	M8 Hex Nut	2
7	M8 Washer	2



COMMENTS: For Spool Holder A & B	SIZE <b>A</b>	TITLE: Spool_Holder_SubAssy	REV
	SCALE: 2:3	SHEET 1 OF 1	

5

4

3

2

1