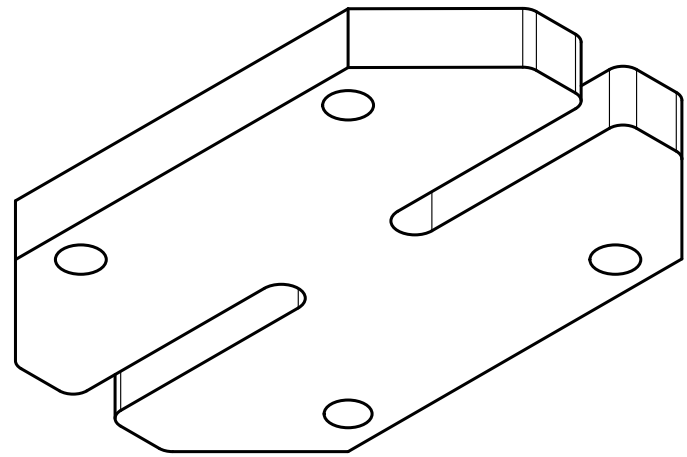


4x M6 thread



UNLESS OTHERWISE SPECIFIED,  
DIMENSIONS ARE IN INCHES

.XX = ±.0-  
.XXX = ±.00-  
.XXXX = ±.000-

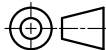
ANGULAR = ± °  
FRACTIONAL = ±

SURFACE FINISH

DO NOT SCALE DRAWING

BREAK ALL SHARP EDGES AND  
REMOVE BURRS

THIRD ANGLE PROJECTION



	NAME	DATE
DRAWN	MOLLIE REDMAN	12/07/2020
CHECKED		
APPROVED		
MATERIAL	FINISH	
PVC		

TITLE		
Stage Mount		
SIZE	DWG NO.	REV.
A		
SCALE	WEIGHT	SHEET
1:2		1 of 1