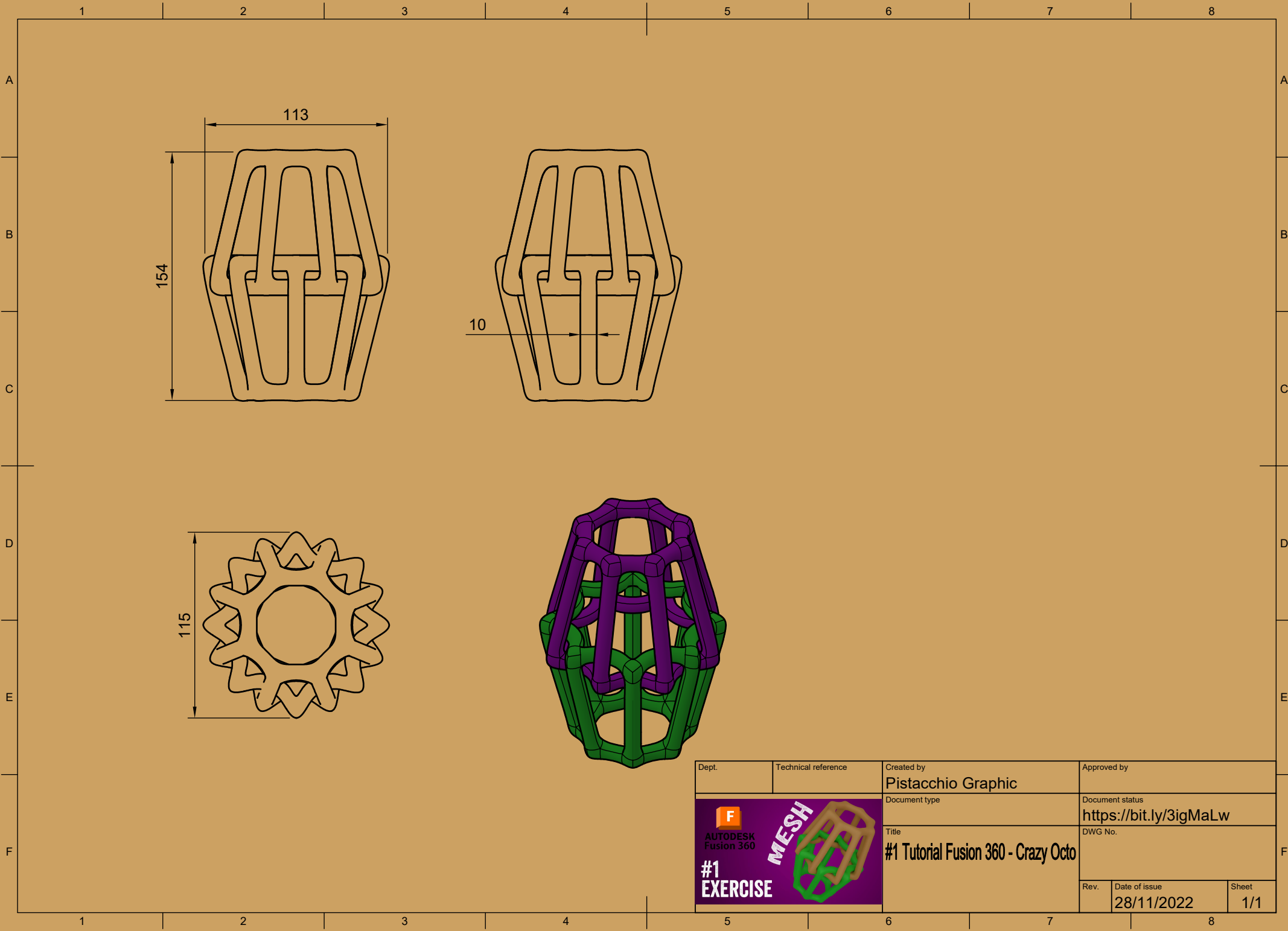

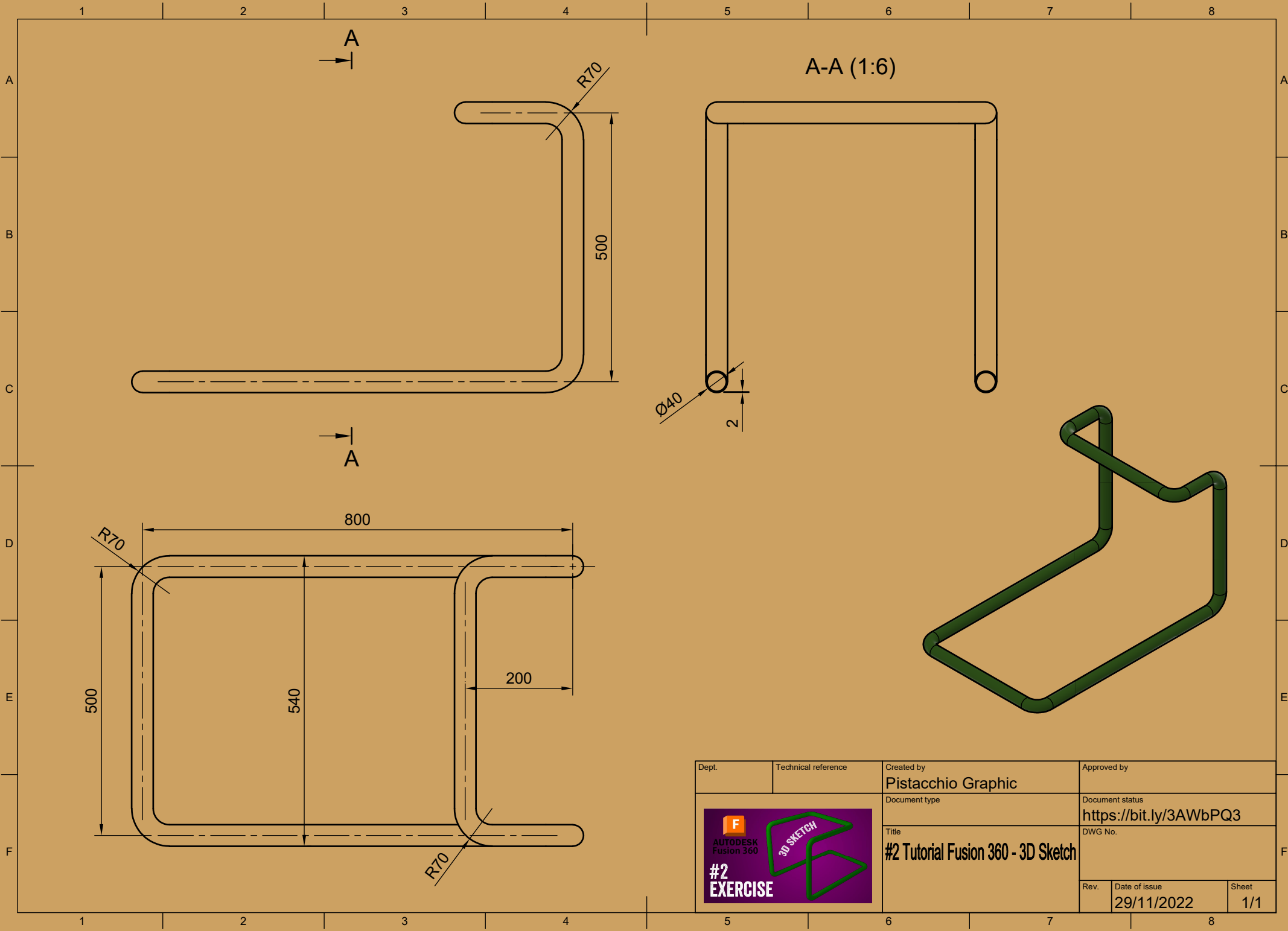



САРА

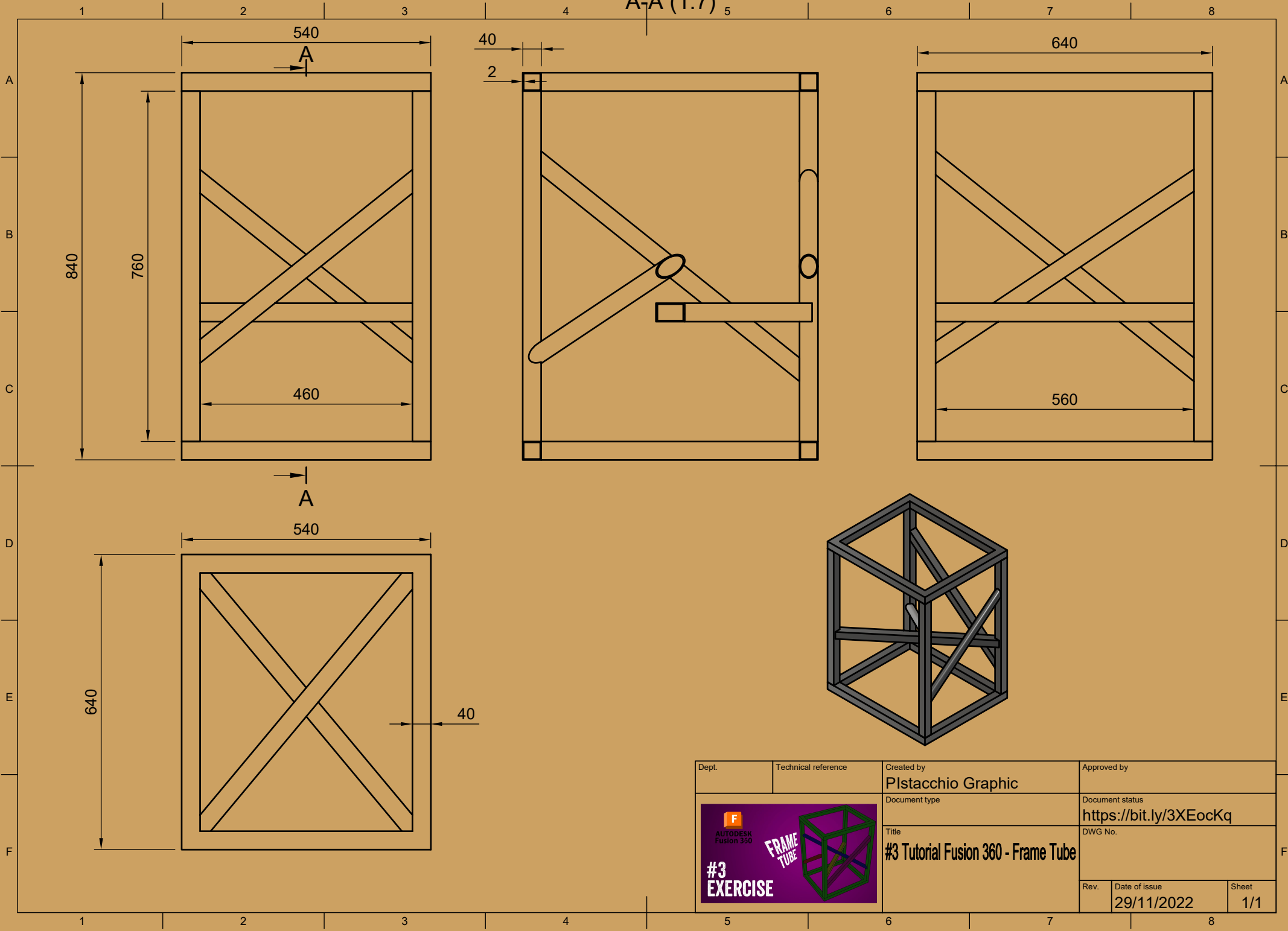


Dept.	Technical reference	Created by Pistacchio Graphic	Approved by
		Document type	Document status https://bit.ly/3igMaLw
		Title #1 Tutorial Fusion 360 - Crazy Octo	
Rev.	Date of issue 28/11/2022	Sheet 1/1	

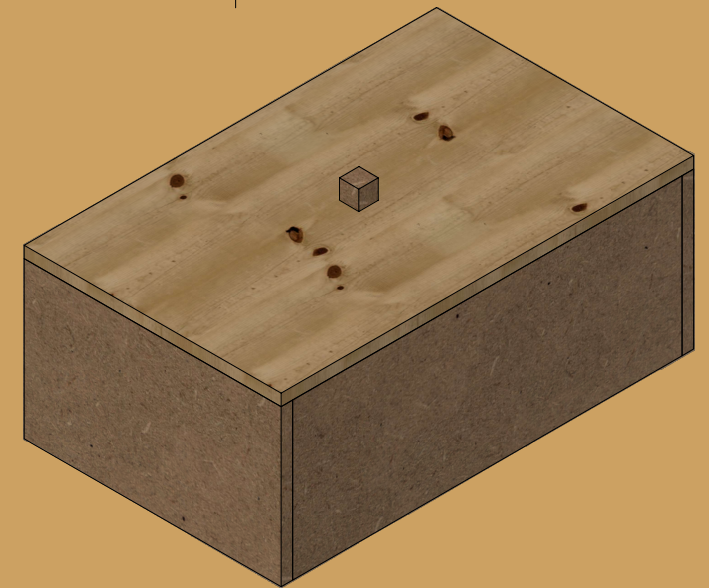
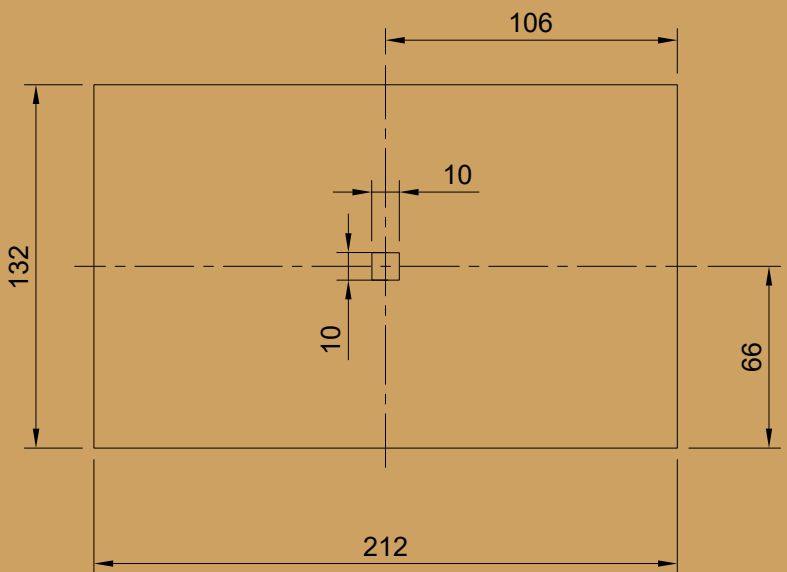
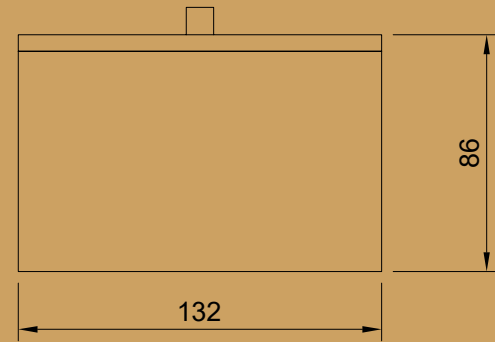
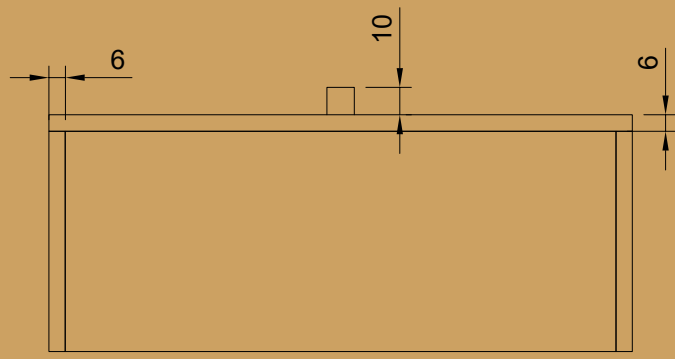


Dept.	Technical reference	Created by Pistacchio Graphic	Approved by
		Document type	Document status https://bit.ly/3AWbPQ3
		Title #2 Tutorial Fusion 360 - 3D Sketch	DWG No.
Rev.	Date of issue 29/11/2022	Sheet 1/1	

A-A (1:7)

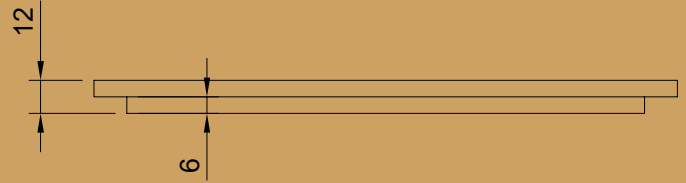
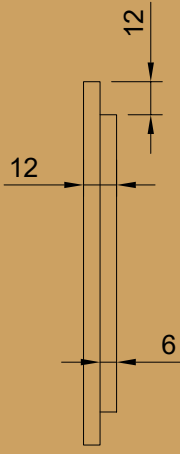
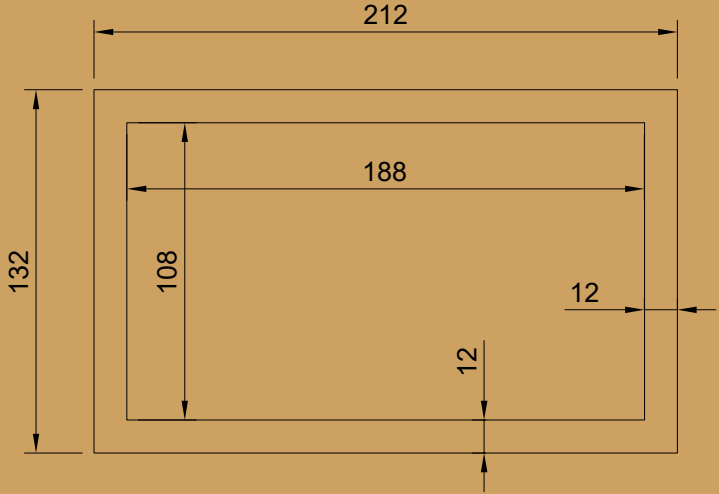


Dept.	Technical reference	Created by Pistacchio Graphic	Approved by
		Document type	Document status https://bit.ly/3XEockq
		Title #3 Tutorial Fusion 360 - Frame Tube	DWG No.
Rev.	Date of issue 29/11/2022	Sheet 1/1	

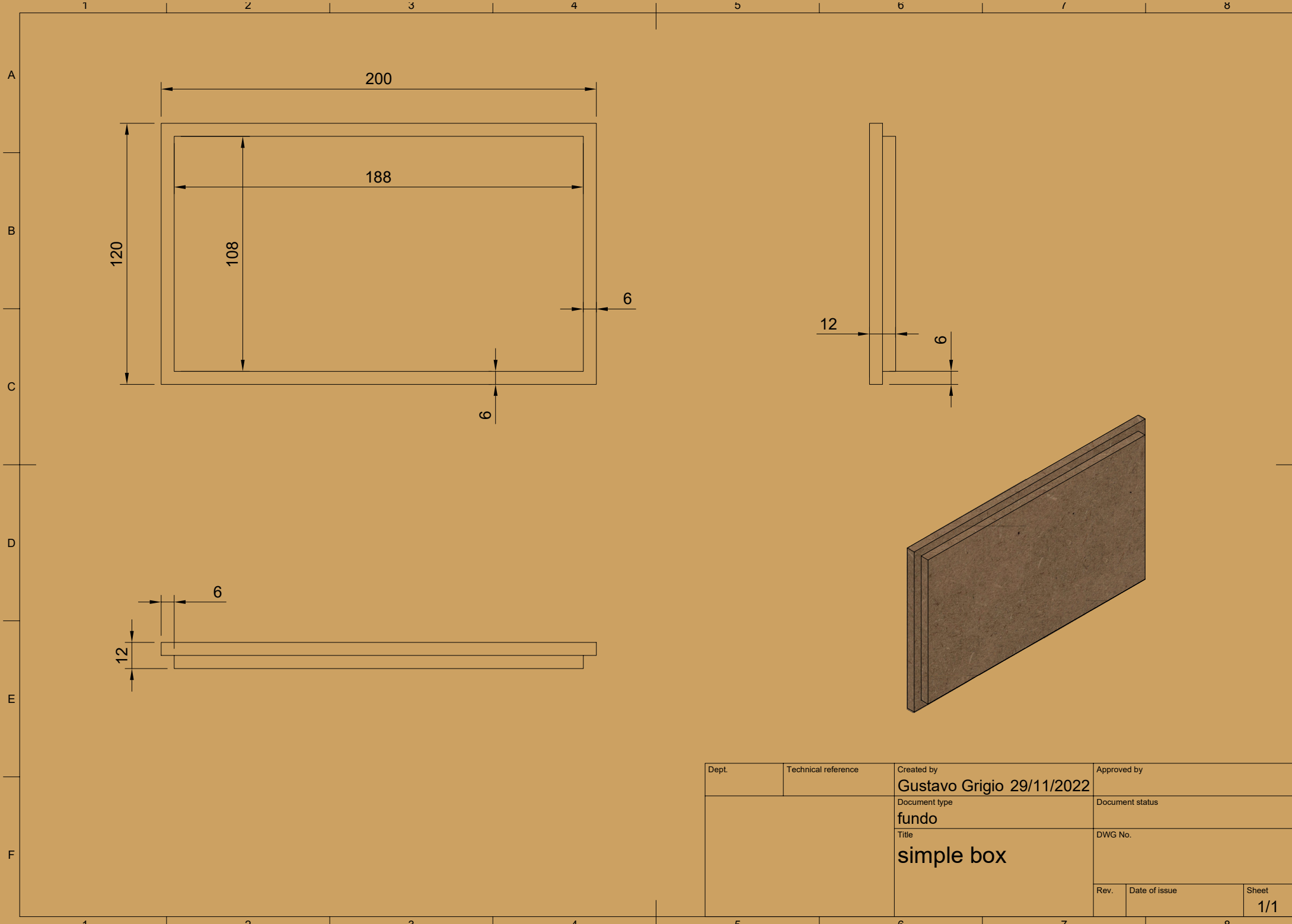


Dept.	Technical reference	Created by Pistacchio Graphic	Approved by
		Document type	Document status https://bit.ly/3Fxxa1O
		Title #4 Tutorial Fusion 360 - Simple Box	DWG No.
	Rev.	Date of issue 30/11/2022	Sheet 1/1

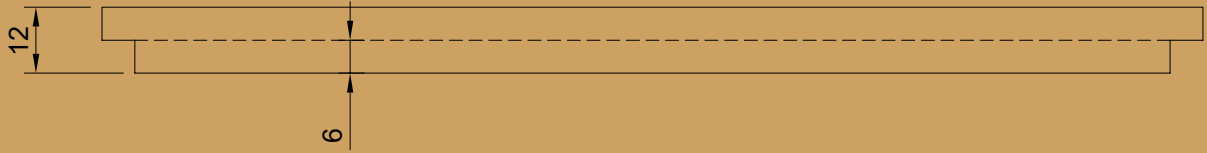
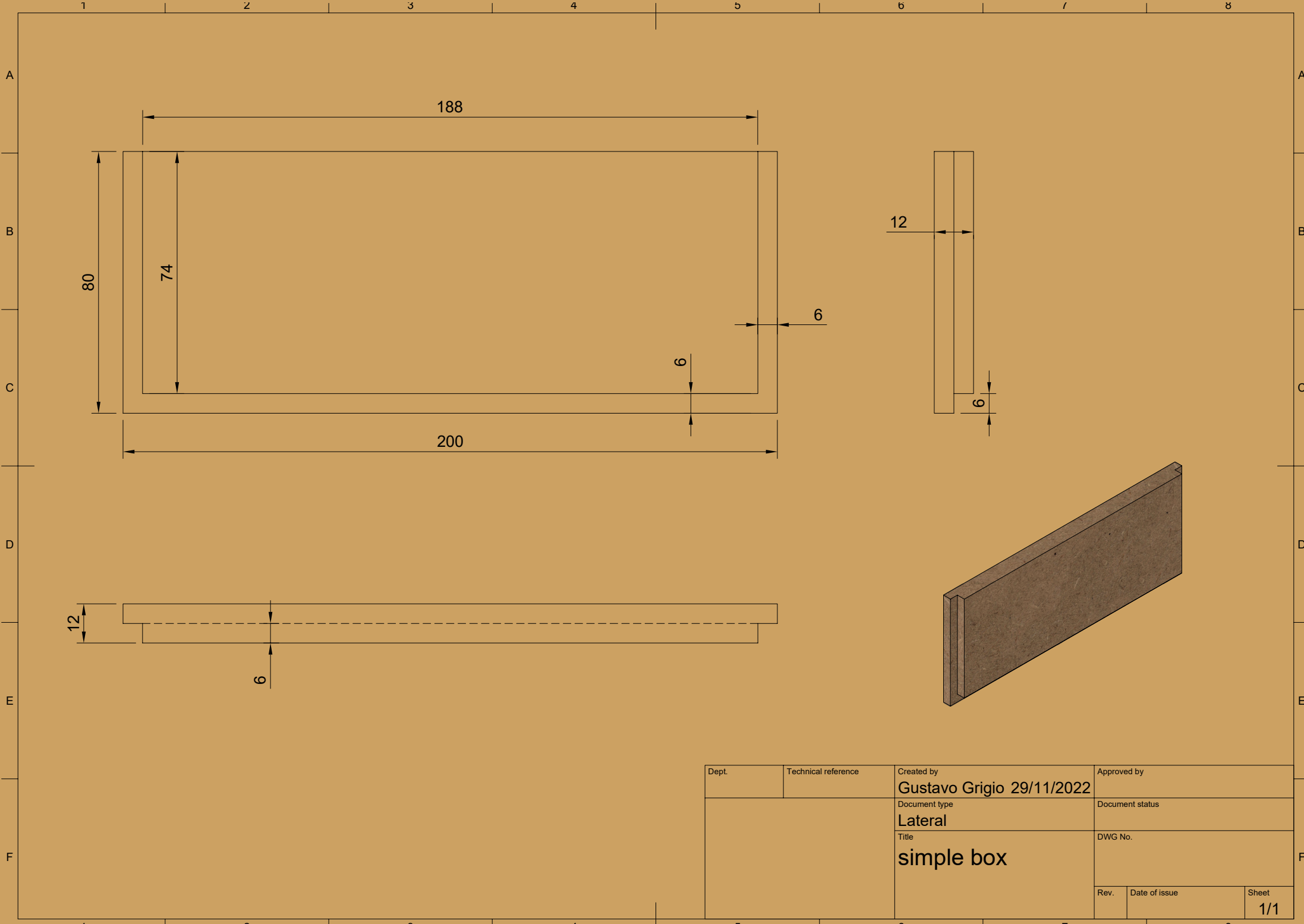




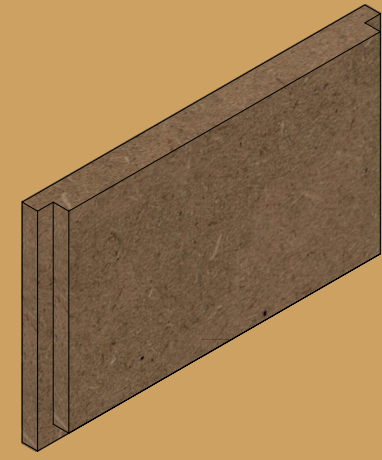
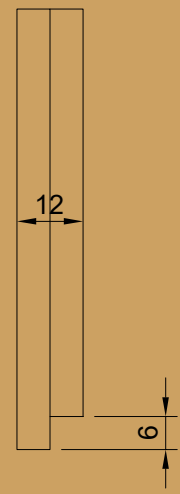
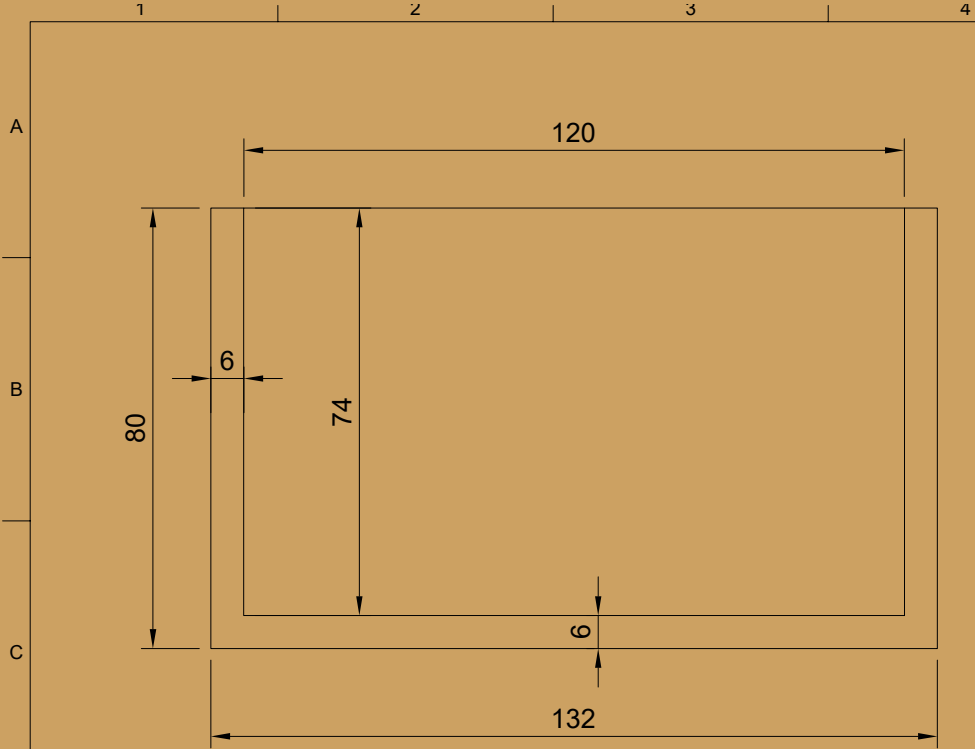
Dept.	Technical reference	Created by Gustavo Grigio 29/11/2022	Approved by	
		Document type Tampa	Document status	
		Title simple box	DWG No.	
		Rev.	Date of issue	Sheet 1/1



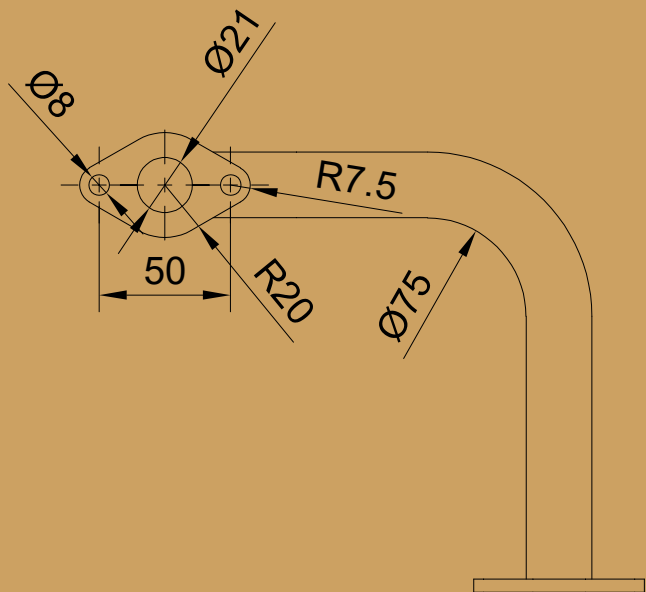
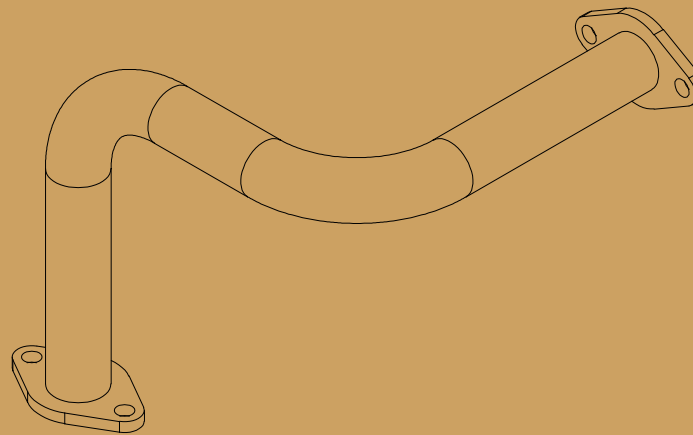
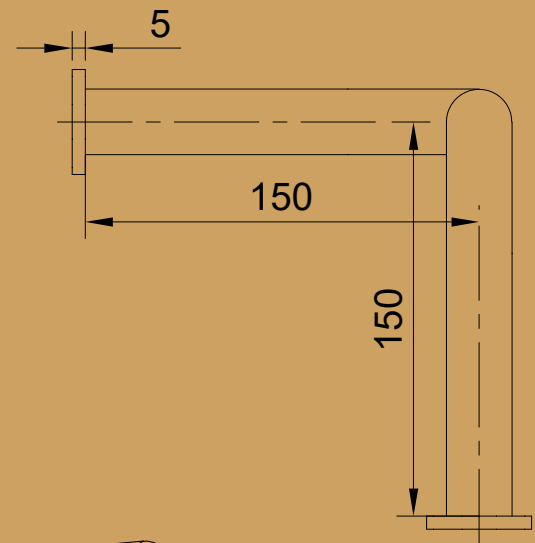
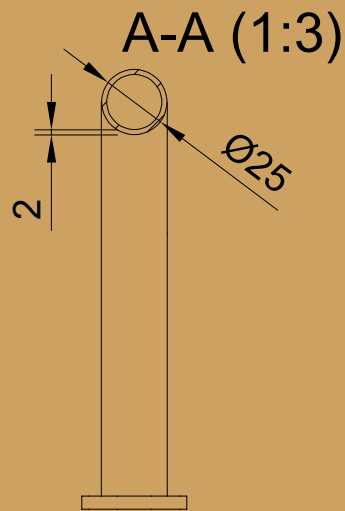
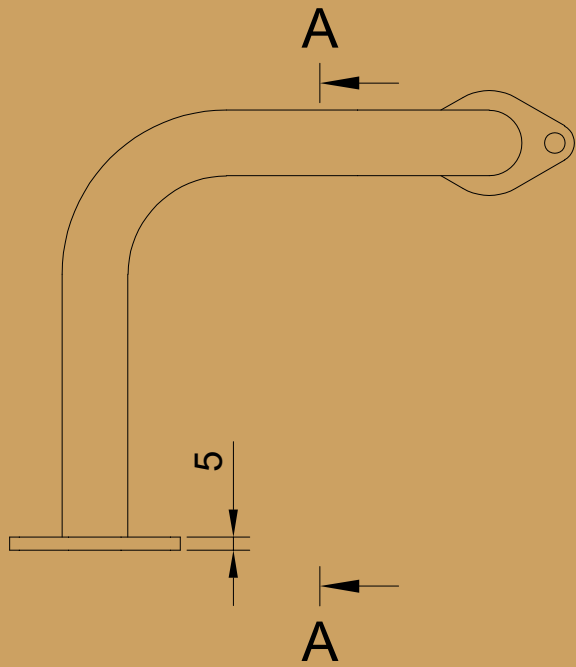
Dept.	Technical reference	Created by Gustavo Grigio 29/11/2022	Approved by	
		Document type funido	Document status	
		Title simple box	DWG No.	
			Rev.	Date of issue
				Sheet 1/1




Dept.	Technical reference	Created by Gustavo Grigio 29/11/2022	Approved by
		Document type Lateral	Document status
		Title simple box	DWG No.
		Rev.	Date of issue
		Sheet 1/1	



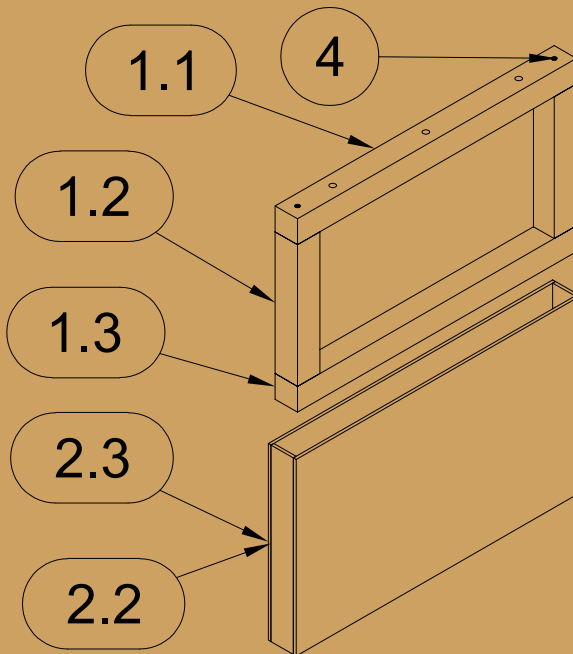
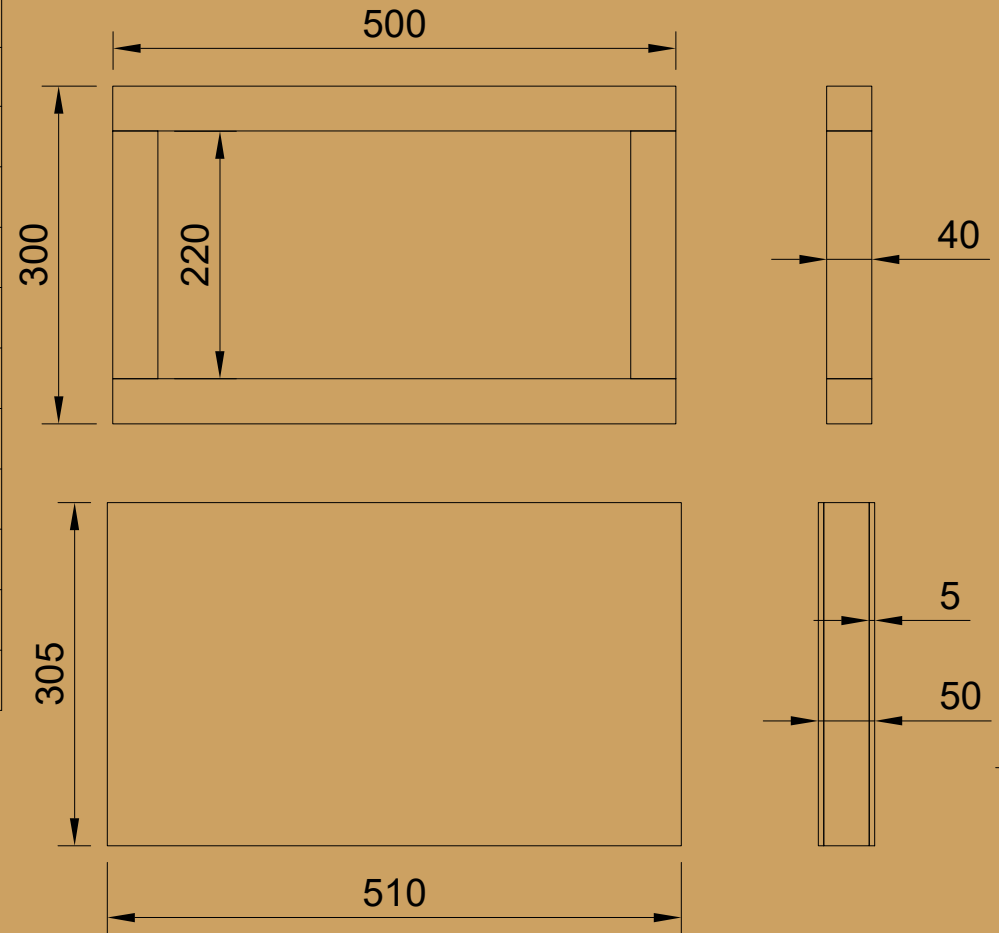
Dept.	Technical reference	Created by Gustavo Grigio 29/11/2022	Approved by	
		Document type Canto	Document status	
		Title simple box	DWG No.	
		Rev.	Date of issue	Sheet 1/1



Dept.	Technical reference	Created by Pistacchio Graphic	Approved by
		Document type	Document status https://bit.ly/3FHQdtD
		Title Fusion 360 #5 Connect Tube	DWG No.
Rev.	Date of issue 11/12/2022	Sheet 1/1	

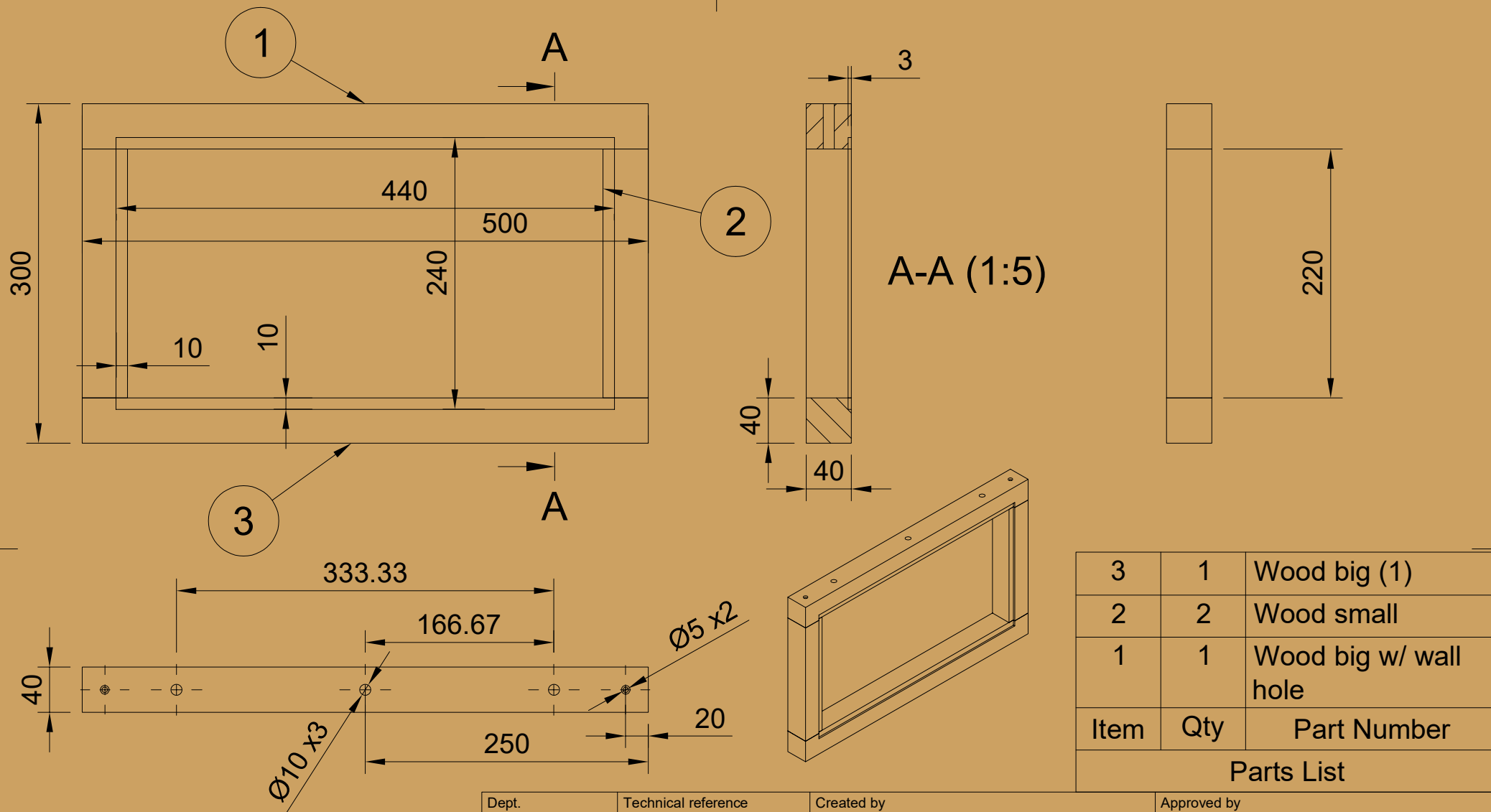
Parts List

Item	Qty	Part Number
1	1	AS Drawer
1.1	1	Wood big w/ wall hole
1.2	2	Wood small
1.3	1	Wood big (1)
1.4	1	Bottom
2	1	AS Cover
2.1	1	Front Cover
2.2	2	Side Cover
2.3	2	Up/down Cover
4	4	90031A159_Phillips Flat Head Screws for Wood



Dept.	Technical reference	Created by Pistacchio Graphic	Approved by
		Document type Secret Drawer	Document status https://bit.ly/3uTKyu8
		Title #6 Fusion 360-Secret Drawer	DWG No.
Rev.	Date of issue 15/12/2022	Sheet 1/1	



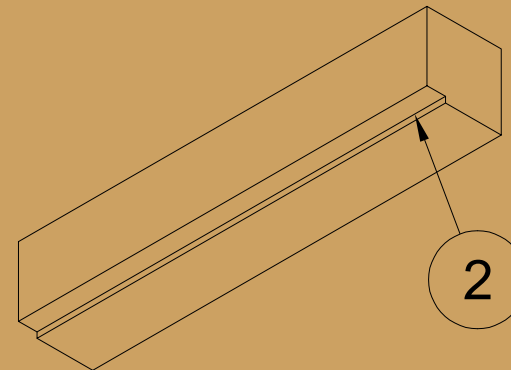
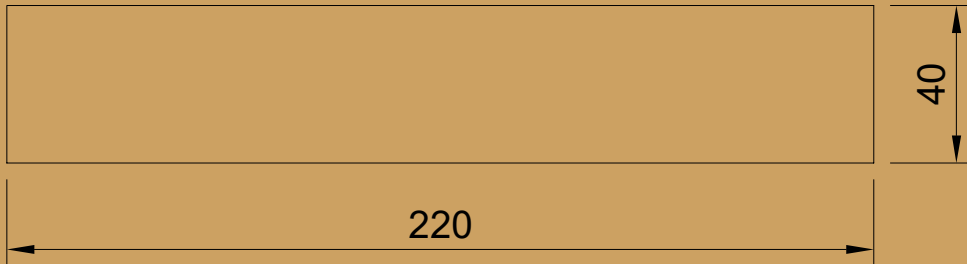
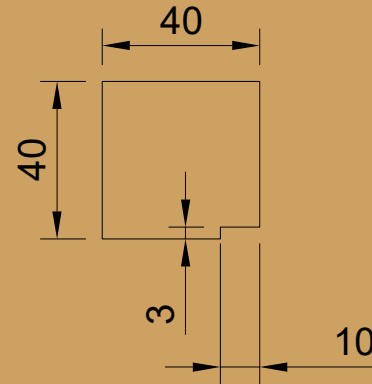


3	1	Wood big (1)
2	2	Wood small
1	1	Wood big w/ wall hole
Item	Qty	Part Number
Parts List		

Dept.	Technical reference	Created by Pistacchio Graphic	Approved by
		Document type Drawer	Document status
		Title #6 Fusion 360-Secret Drawer	DWG No.
		Rev.	Date of issue 15/12/2022
			Sheet 1/1



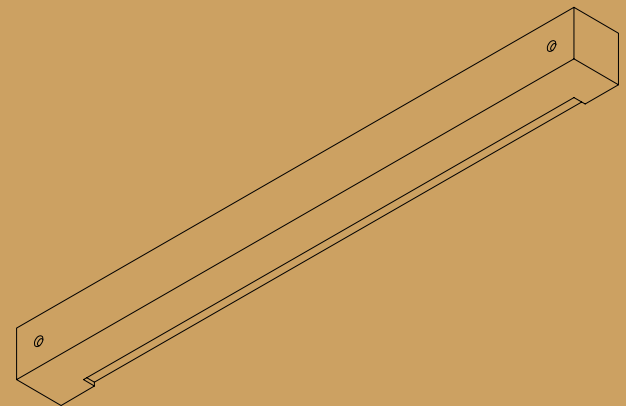
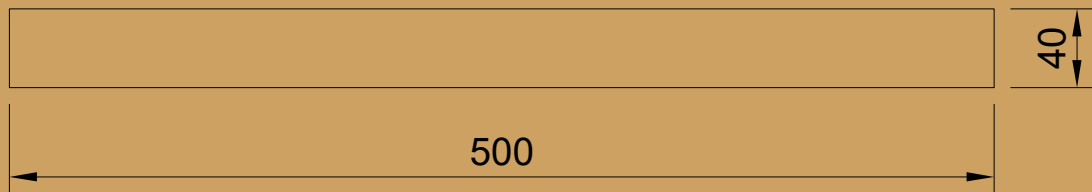
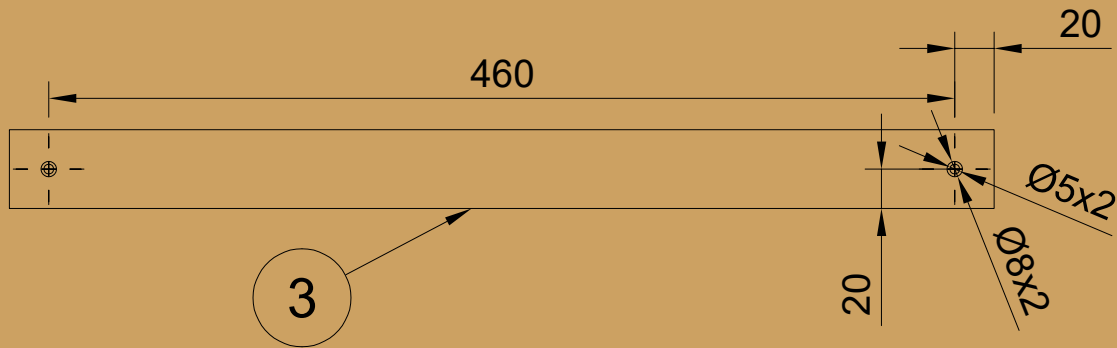
2



2

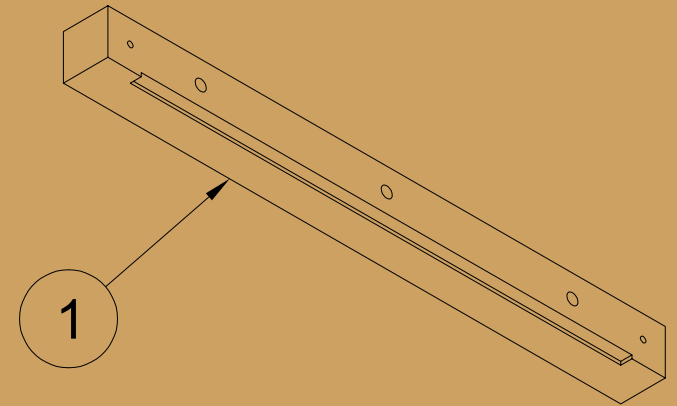
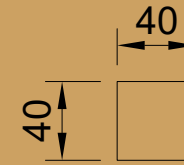
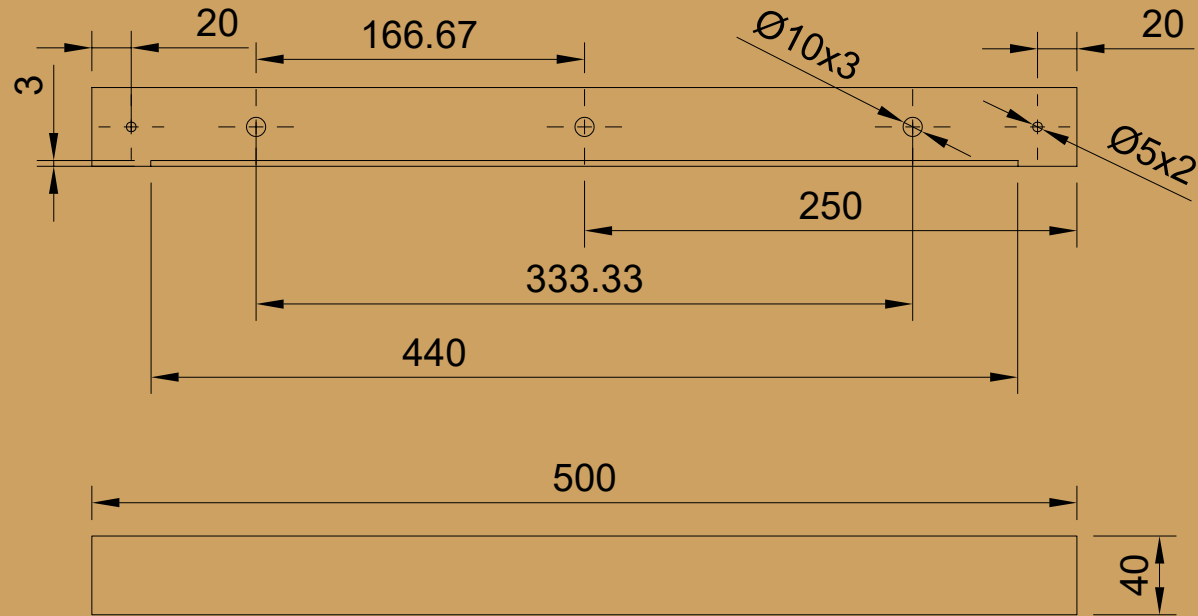
Parts List		
Item	Qty	Part Number
2	2	Wood small

Dept.	Technical reference	Created by Pistacchio Graphic	Approved by	
		Document type Wood Small	Document status	
		Title #6 Fusion 360-Secret Drawer	DWG No.	
		Rev.	Date of issue 15/12/2022	Sheet 1/1



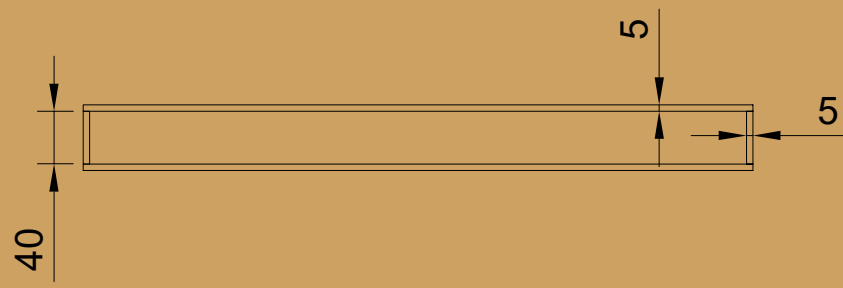
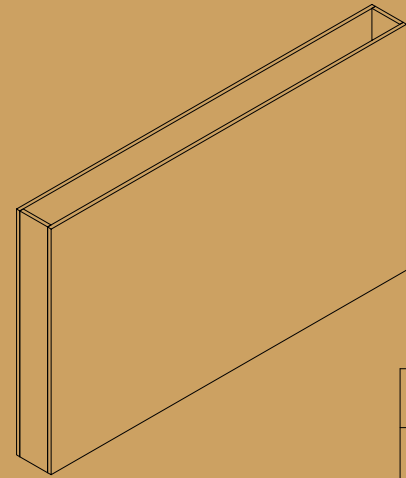
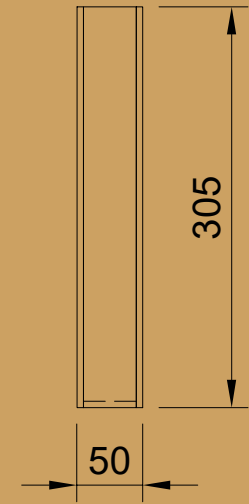
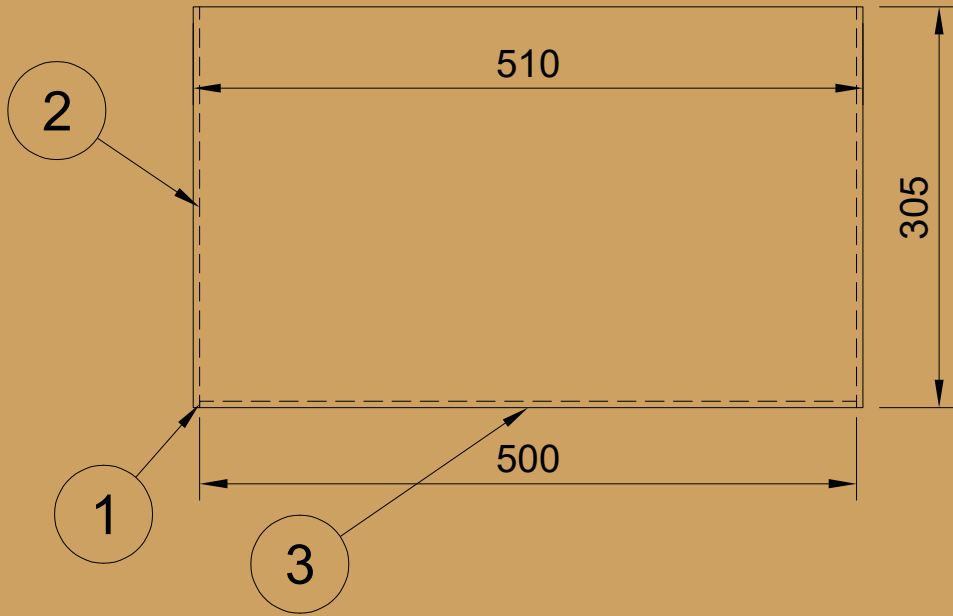
Parts List		
Item	Qty	Part Number
3	1	Wood big (1)

Dept.	Technical reference	Created by Pistacchio Graphic	Approved by	
		Document type Wood Big	Document status	
		Title #6 Fusion 360-Secret Drawer	DWG No.	
		Rev.	Date of issue 15/12/2022	Sheet 1/1



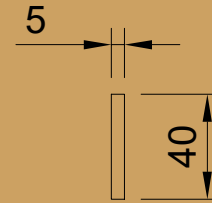
Parts List		
Item	Qty	Part Number
1	1	Wood big w/ wall hole

Dept.	Technical reference	Created by Pistacchio Graphic	Approved by	
		Document type Wood Big with wall hole	Document status	
		Title #6 Fusion 360-Secret Drawer	DWG No.	
		Rev.	Date of issue 12/12/2022	Sheet 1/1

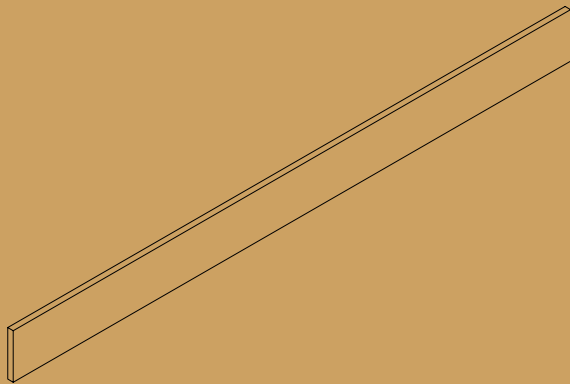


Parts List		
Item	Qty	Part Number
1	1	Front Cover
2	2	Side Cover
3	2	Up/down Cover

Dept.	Technical reference	Created by Pistacchio Graphic	Approved by	
		Document type Cover	Document status	
		Title #6 Fusion 360-Secret Drawer	DWG No.	
		Rev.	Date of issue 15/12/2022	Sheet 1/1

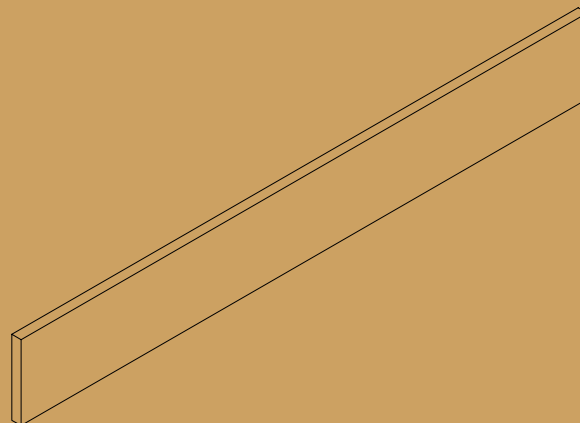
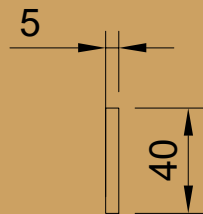
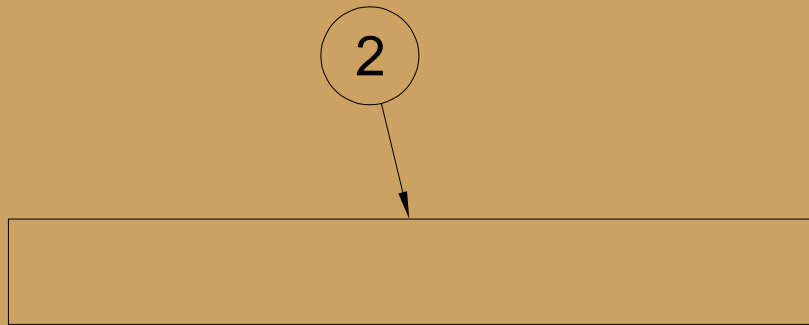


1



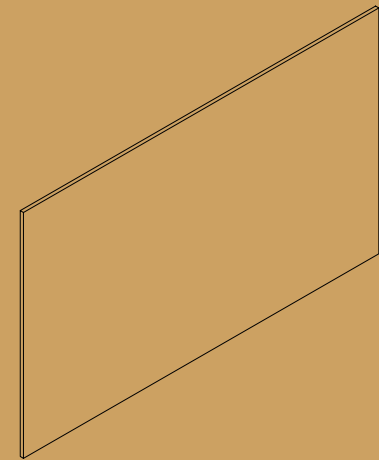
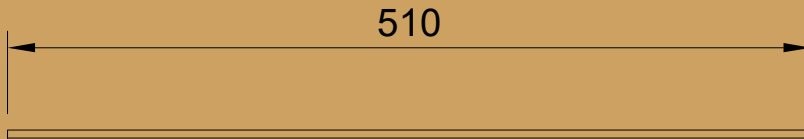
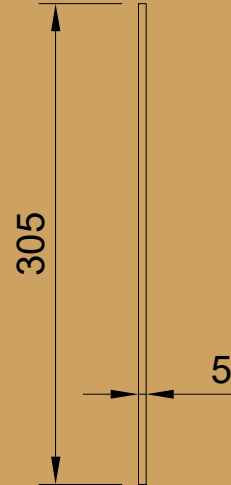
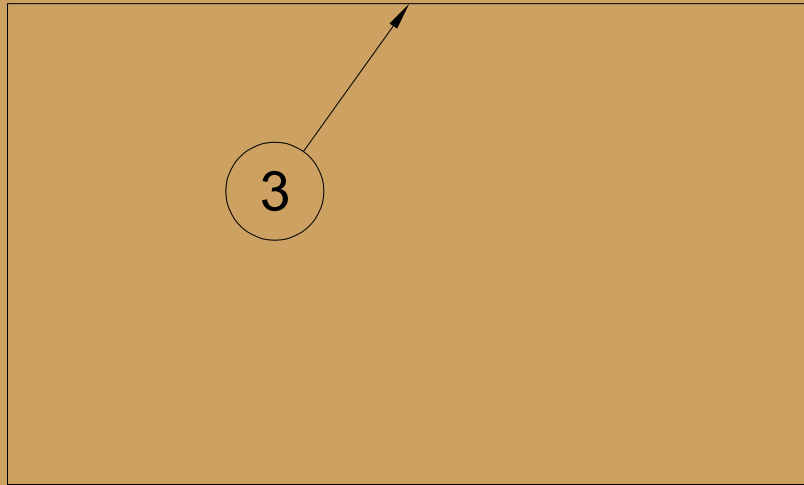
Parts List		
Item	Qty	Part Number
1	1	Front Cover

Dept.	Technical reference	Created by Pistacchio Graphic	Approved by	
		Document type Front Cover	Document status	
		Title #6 Fusion 360-Secret Drawer	DWG No.	
		Rev.	Date of issue 15/12/2022	Sheet 1/1



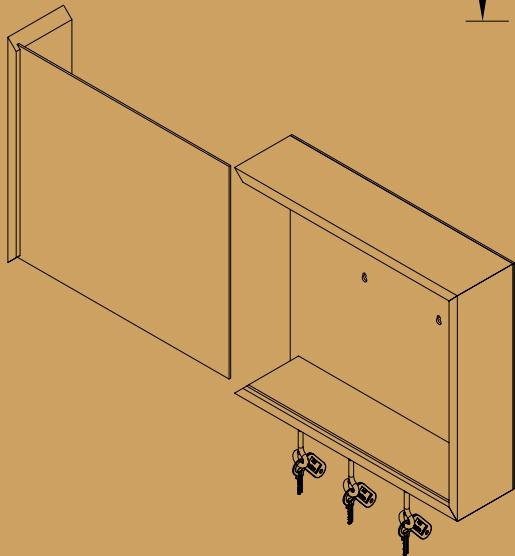
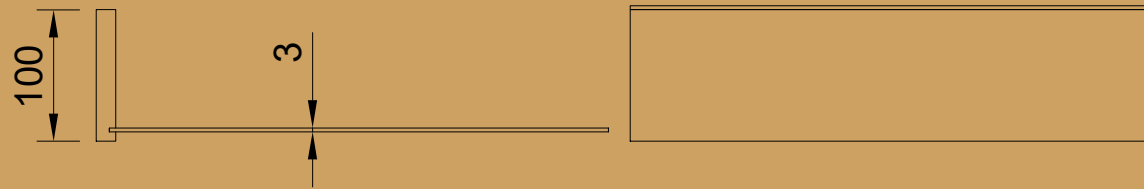
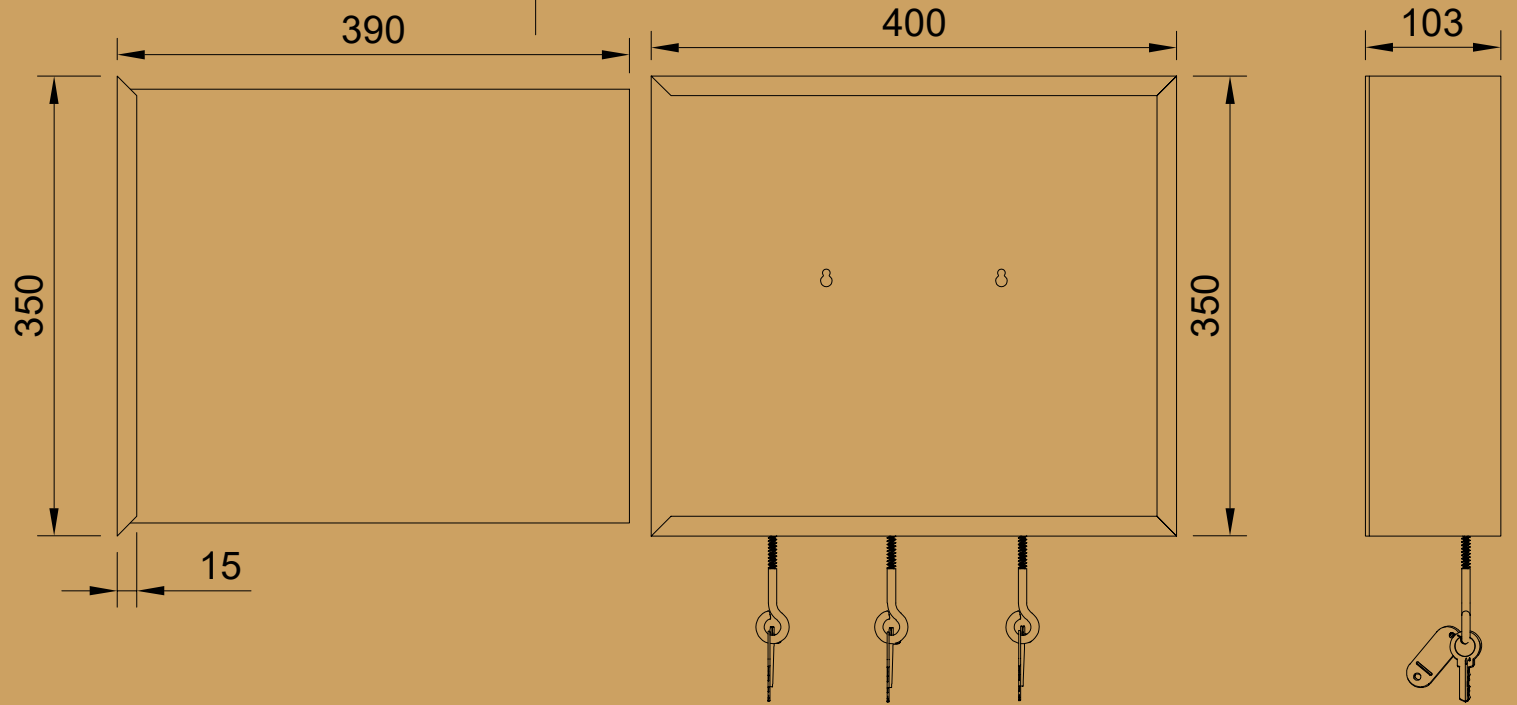
Dept.	Technical reference	Created by Pistacchio Graphic	Approved by	
		Document type Side Cover	Document status	
		Title #6 Fusion 360-Secret Drawer	DWG No.	
		Rev.	Date of issue 15/12/2022	Sheet 1/1

Parts List		
Item	Qty	Part Number
2	1	Side Cover



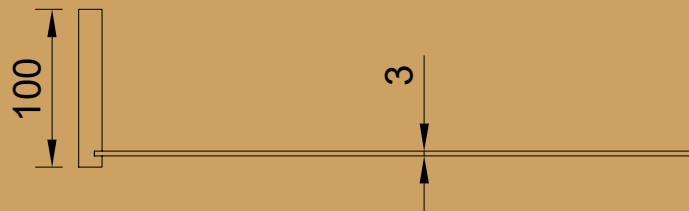
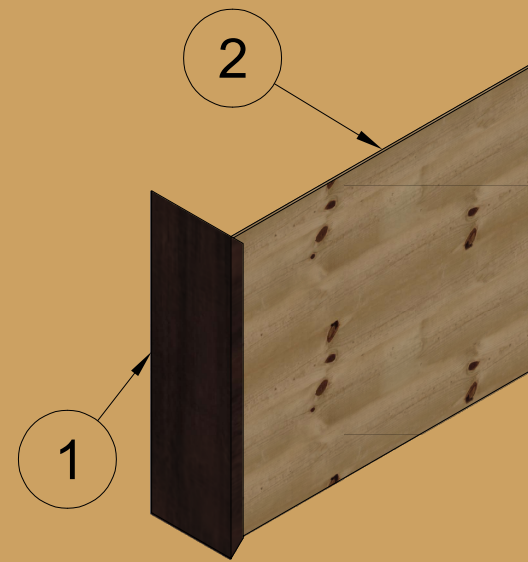
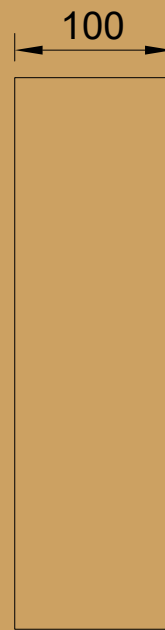
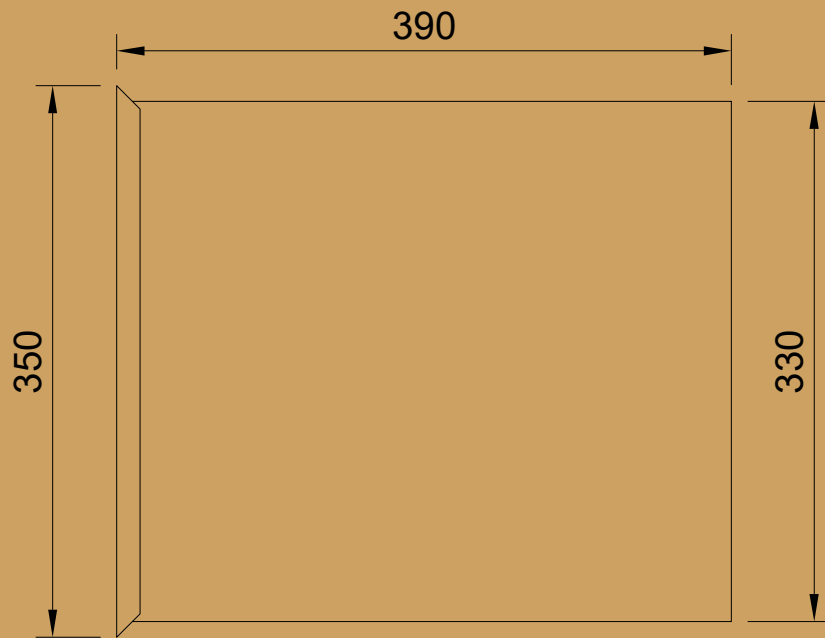
Parts List		
Item	Qty	Part Number
3	1	Up/down Cover

Dept.	Technical reference	Created by Pistacchio Graphic	Approved by	
		Document type Up/Down Cover	Document status	
		Title #6 Fusion 360-Secret Drawer	DWG No.	
		Rev.	Date of issue 15/12/2022	Sheet 1/1



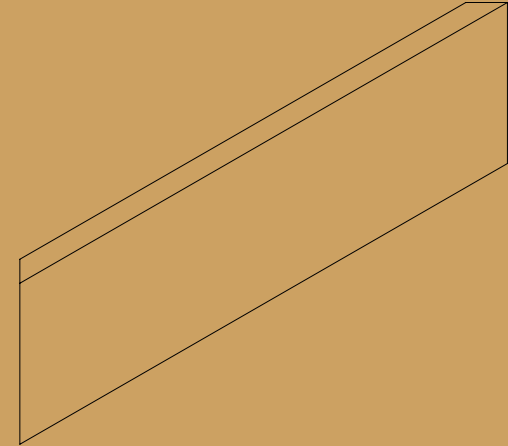
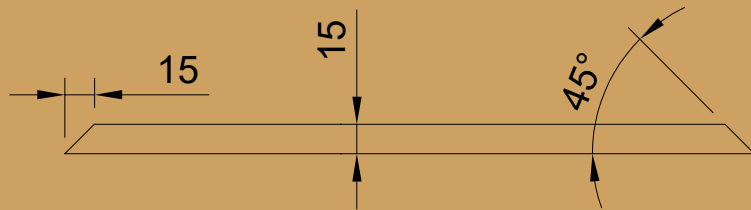
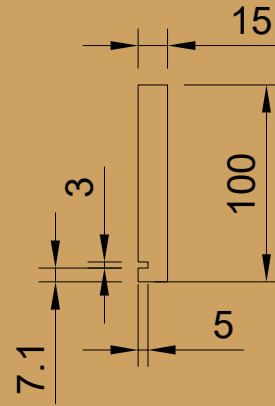
Dept.	Technical reference	Created by Pistacchio Graphic	Approved by
		Document type #7 Fusion 360Tutorial	Document status https://bit.ly/3jmg14j
		Title Secret Canva	DWG No.
		Rev.	Date of issue 20/12/2022
			Sheet 1/1





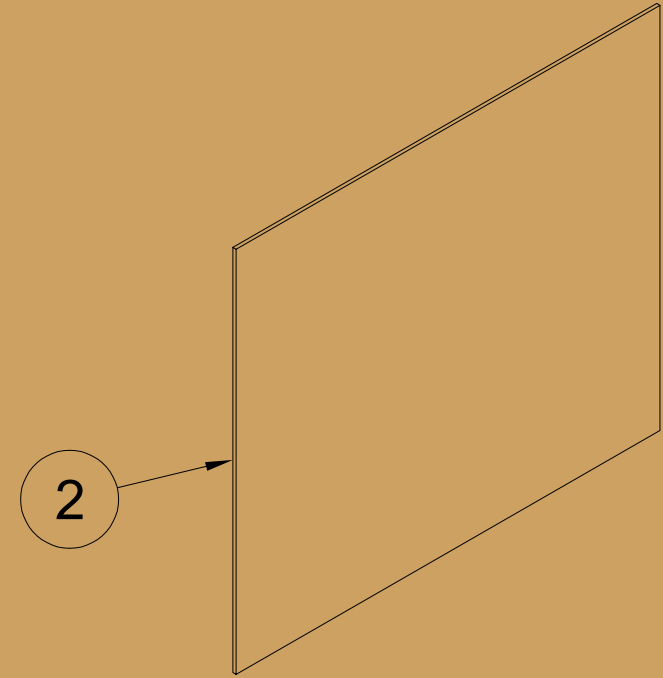
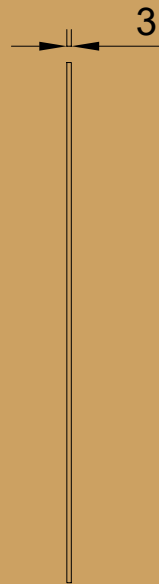
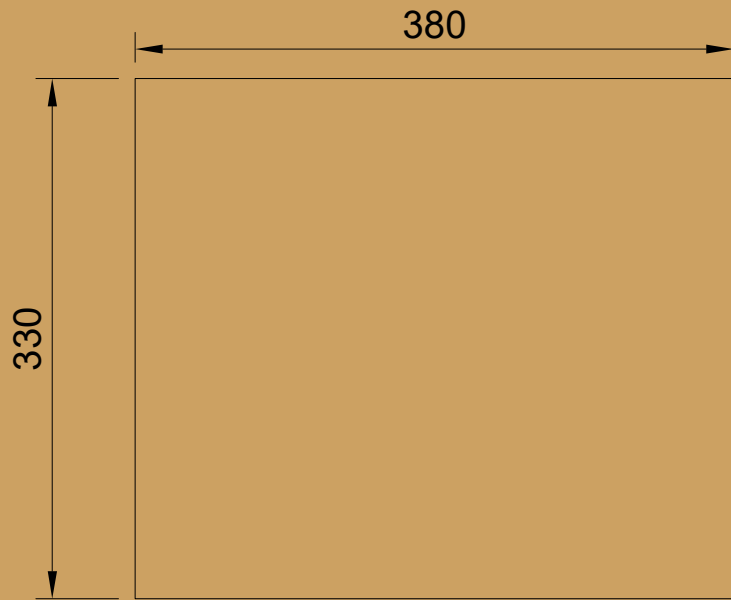
Parts List		
Item	Qty	Part Number
1	1	Side board narrow
2	1	Cover

Dept.	Technical reference	Created by Pistacchio Graphic	Approved by	
		Document type #7 Fusion 360 Tutorial	Document status	
		Title AS Cover	DWG No.	
		Rev.	Date of issue 20/12/2022	Sheet 1/1



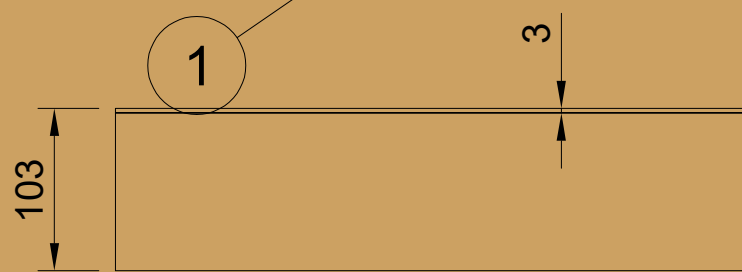
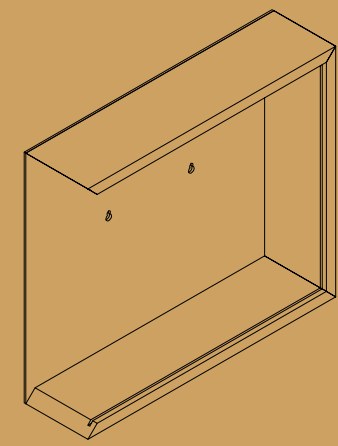
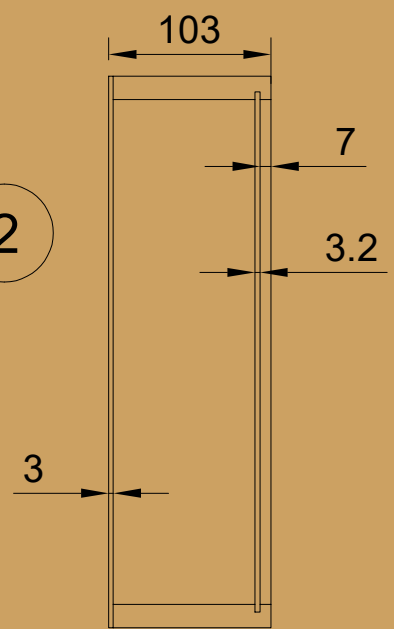
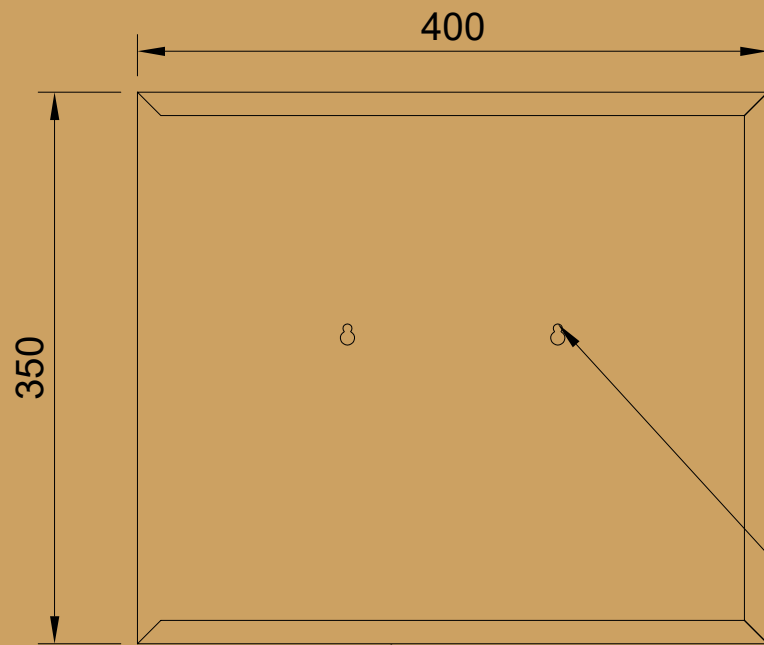
Parts List		
Item	Qty	Part Number
1	1	Side board narrow

Dept.	Technical reference	Created by Pistacchio Graphic	Approved by	
		Document type #7 Fusion 360 Tutorial	Document status	
		Title Side Board Narrow	DWG No.	
		Rev.	Date of issue 20/12/2022	Sheet 1/1



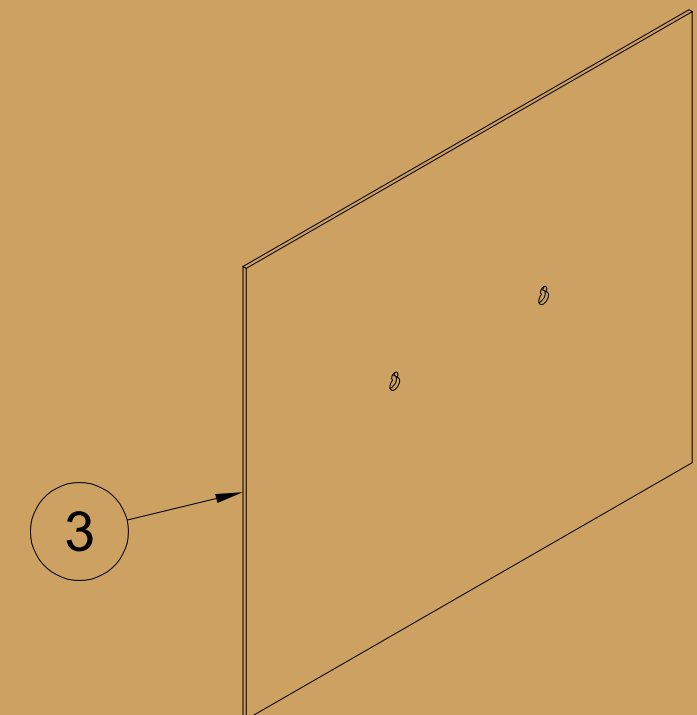
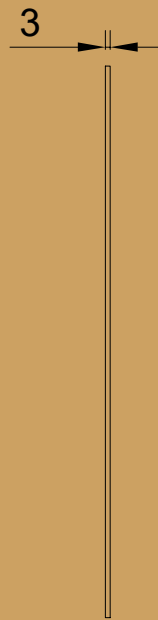
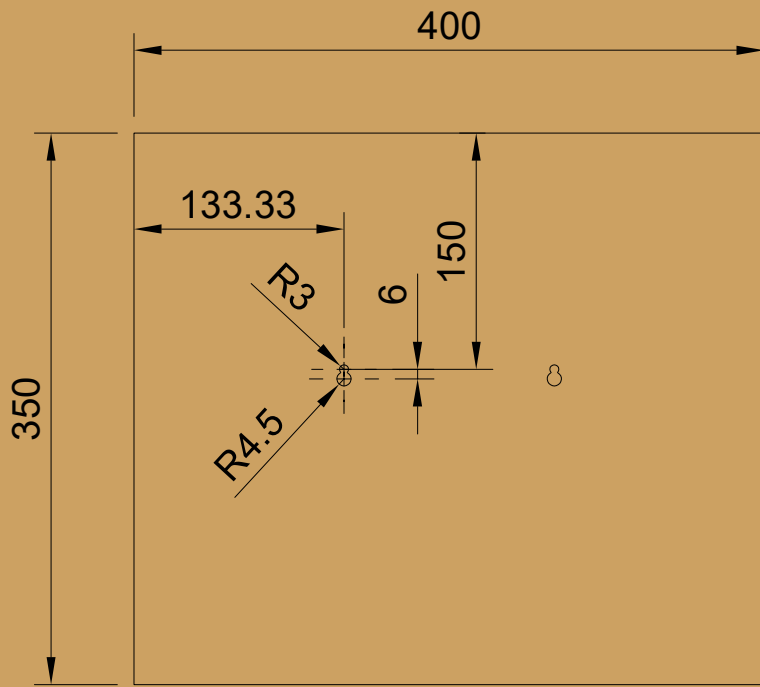
Parts List		
Item	Qty	Part Number
2	1	Cover

Dept.	Technical reference	Created by Pistacchio Graphic	Approved by	
		Document type #7 Fusion 360 Tutorial	Document status	
		Title Cover	DWG No.	
		Rev.	Date of issue 20/12/2022	Sheet 1/1



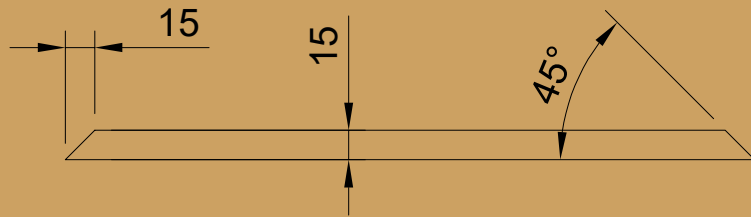
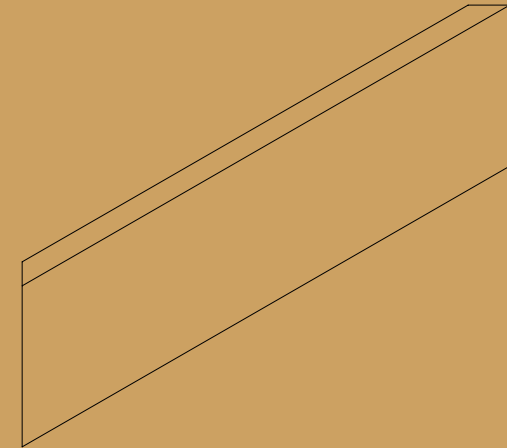
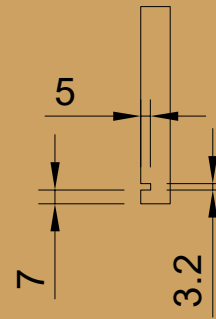
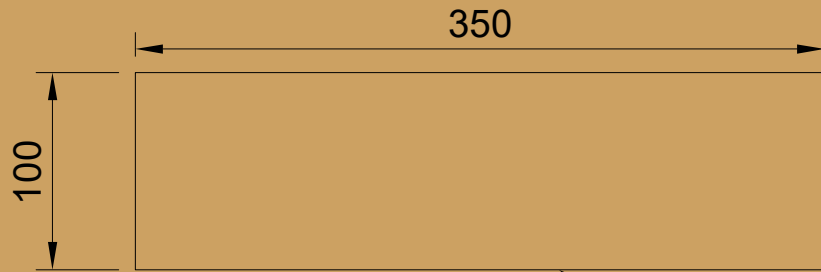
Parts List		
Item	Qty	Part Number
1	2	Up/down board
2	1	Side board
3	1	Bottom

Dept.	Technical reference	Created by Pistacchio Graphic	Approved by	
		Document type #7 Fusion 360 Tutorial	Document status	
		Title AS Canva	DWG No.	
		Rev.	Date of issue 20/12/2022	Sheet 1/1



Parts List		
Item	Qty	Part Number
3	1	Bottom

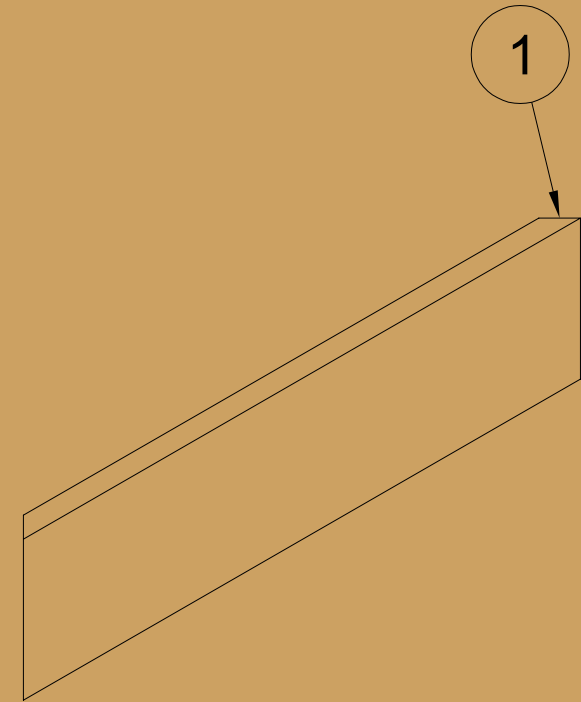
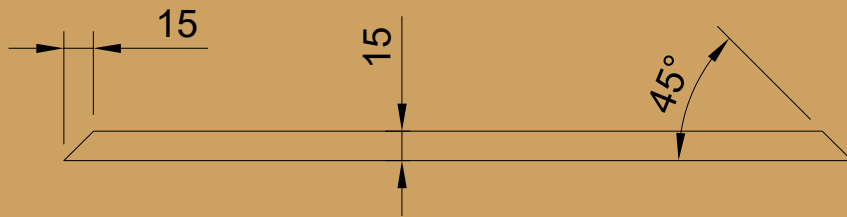
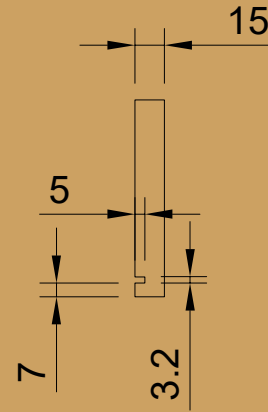
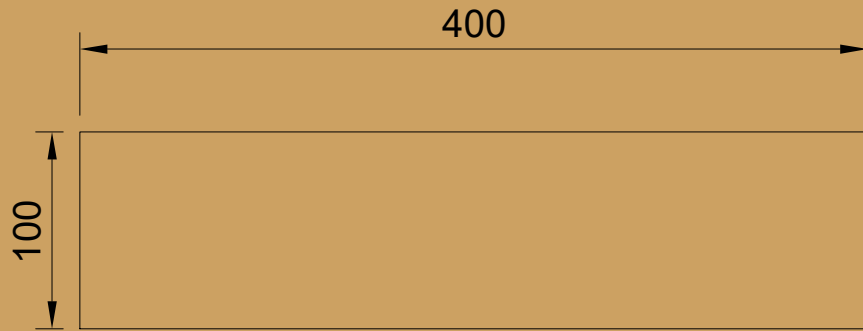
Dept.	Technical reference	Created by Pistacchio Graphic	Approved by	
		Document type #7 Fusion 360 Tutorial	Document status	
		Title Bottom	DWG No.	
		Rev.	Date of issue 20/12/2022	Sheet 1/1



2

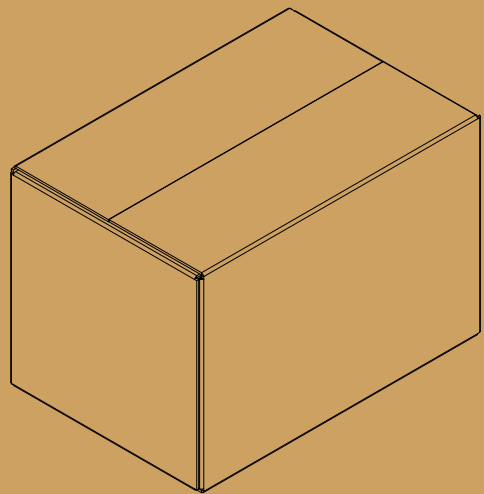
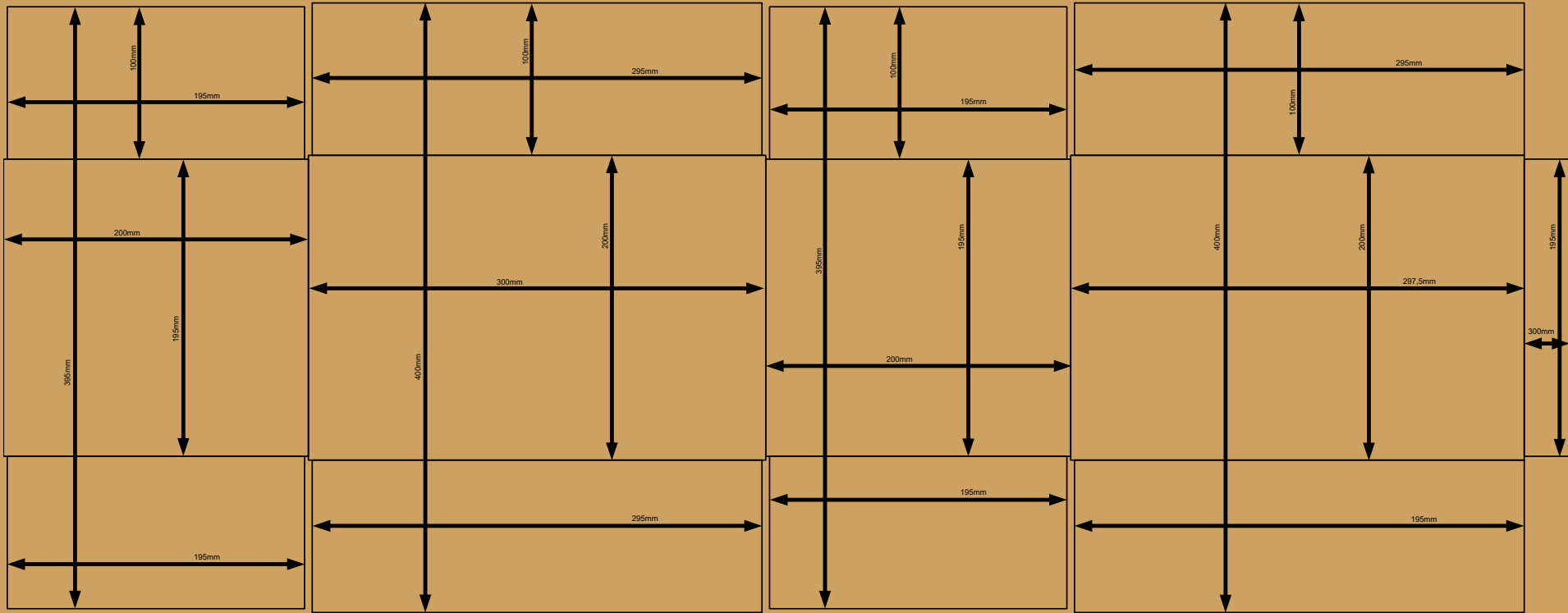
Parts List		
Item	Qty	Part Number
2	1	Side board

Dept.	Technical reference	Created by Pistacchio Graphic	Approved by	
		Document type #7 Fusion 360 Tutorial	Document status	
		Title Side Board	DWG No.	
		Rev.	Date of issue 20/12/2022	Sheet 1/1



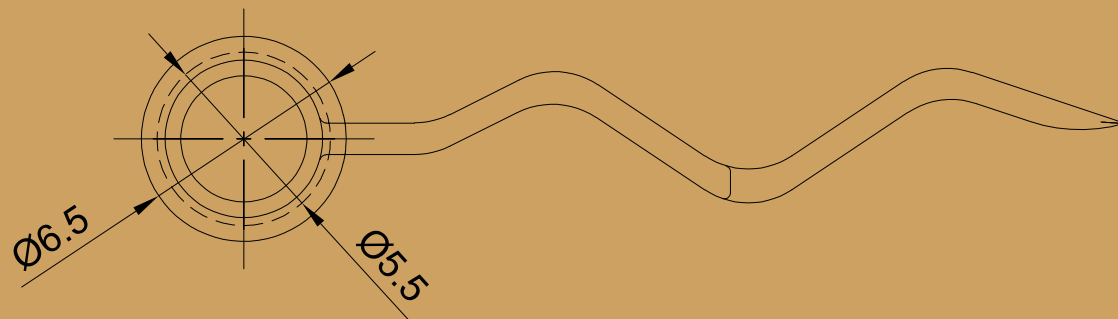
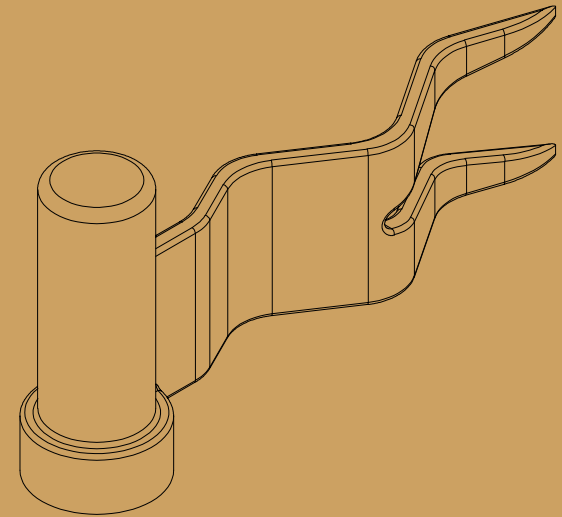
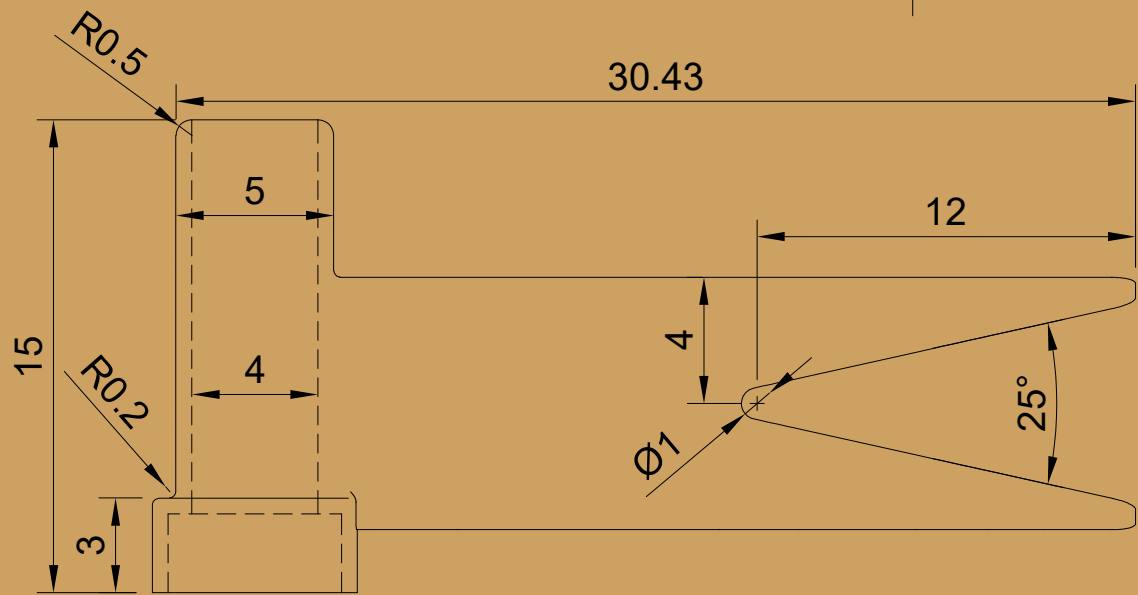
Parts List		
Item	Qty	Part Number
1	1	Up/down board

Dept.	Technical reference	Created by Pistacchio Graphic	Approved by	
		Document type #7 Fusion 360 Tutorial	Document status	
		Title Up Down Side Board	DWG No.	
		Rev.	Date of issue 20/12/2022	Sheet 1/1

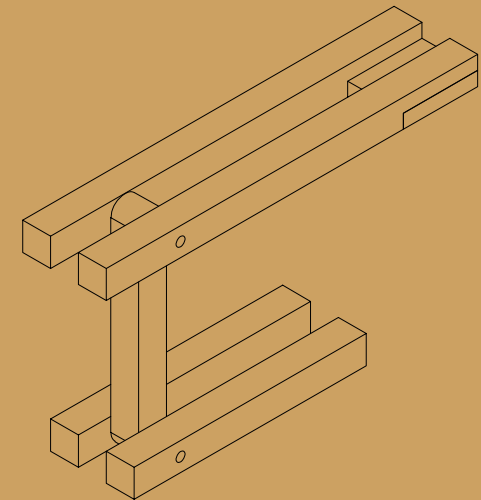
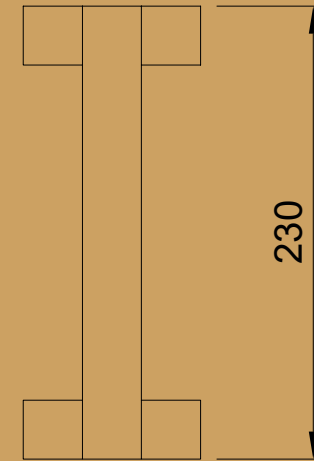
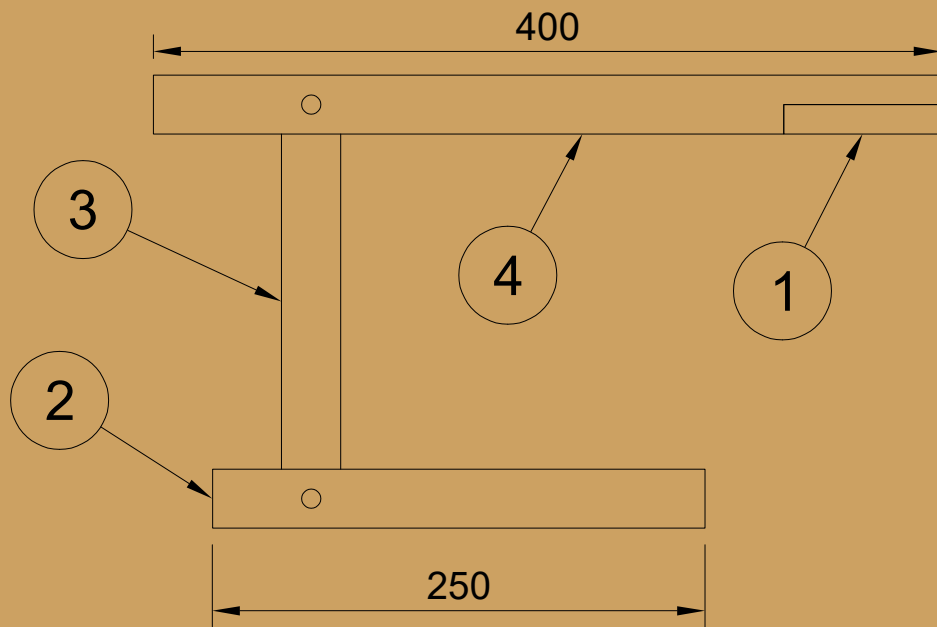


Dept.	Technical reference	Created by Pistacchio Graphic	Approved by
		Document type Fusion 360 #8 Tutorial	Document status https://bit.ly/3WpyIJW
		Title Cardbox	DWG No.
		Rev.	Date of issue 25/12/2022
			Sheet 1/1



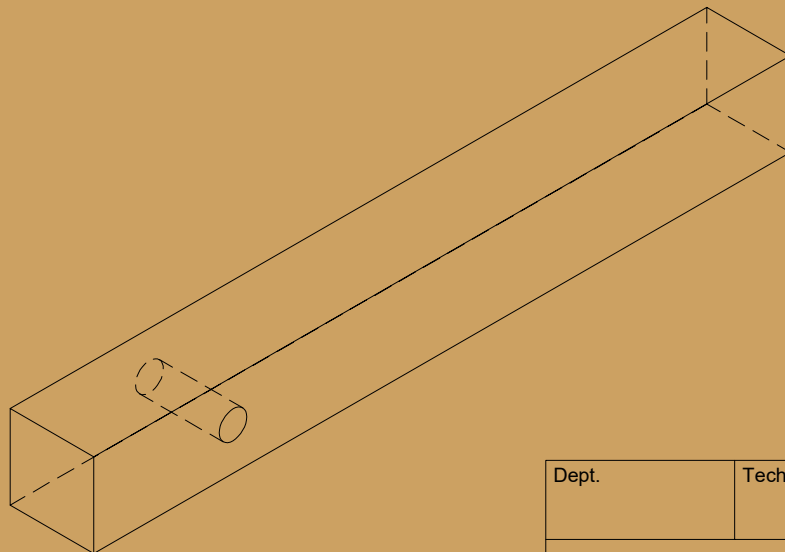
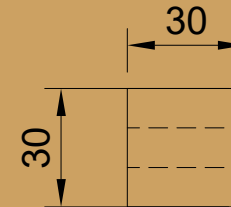
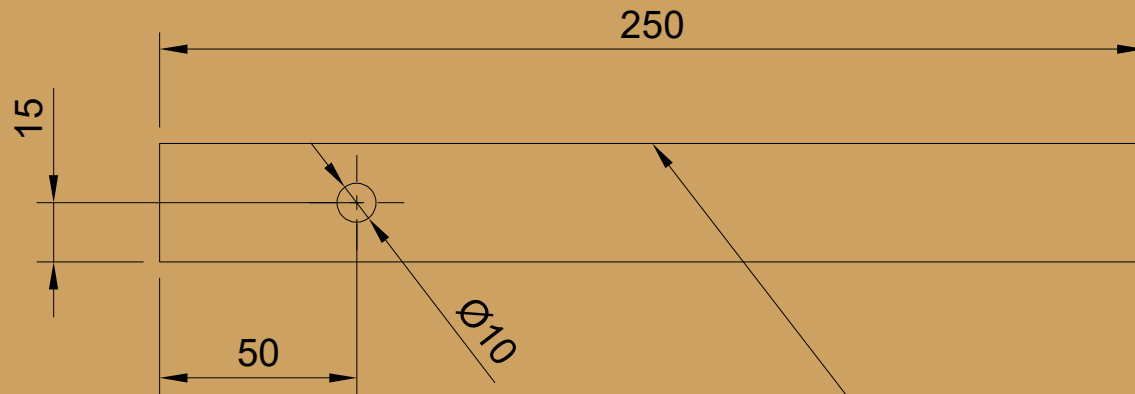


Dept.	Technical reference	Created by Pistacchio Graphic	Approved by
		Document type #9 Fusion 360 Tutorial	Document status https://bit.ly/3QA9aCa
		Title Lego Flag	
Rev.	Date of issue 12/01/2022	Sheet 1/1	



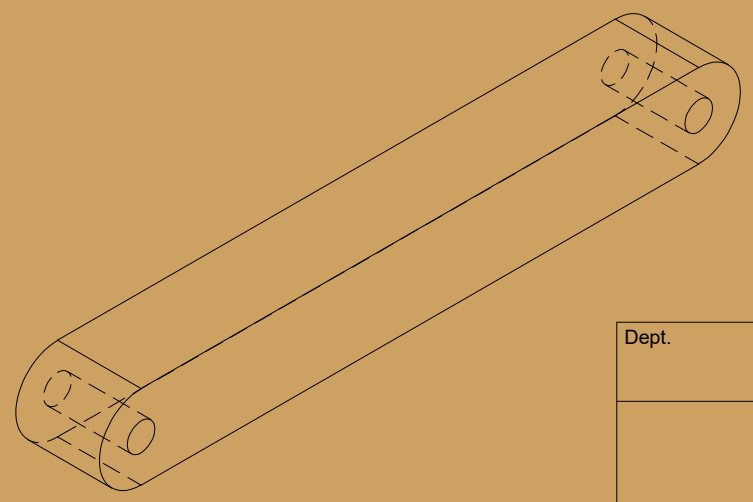
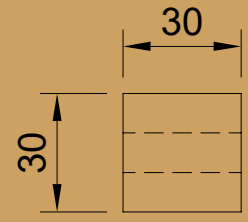
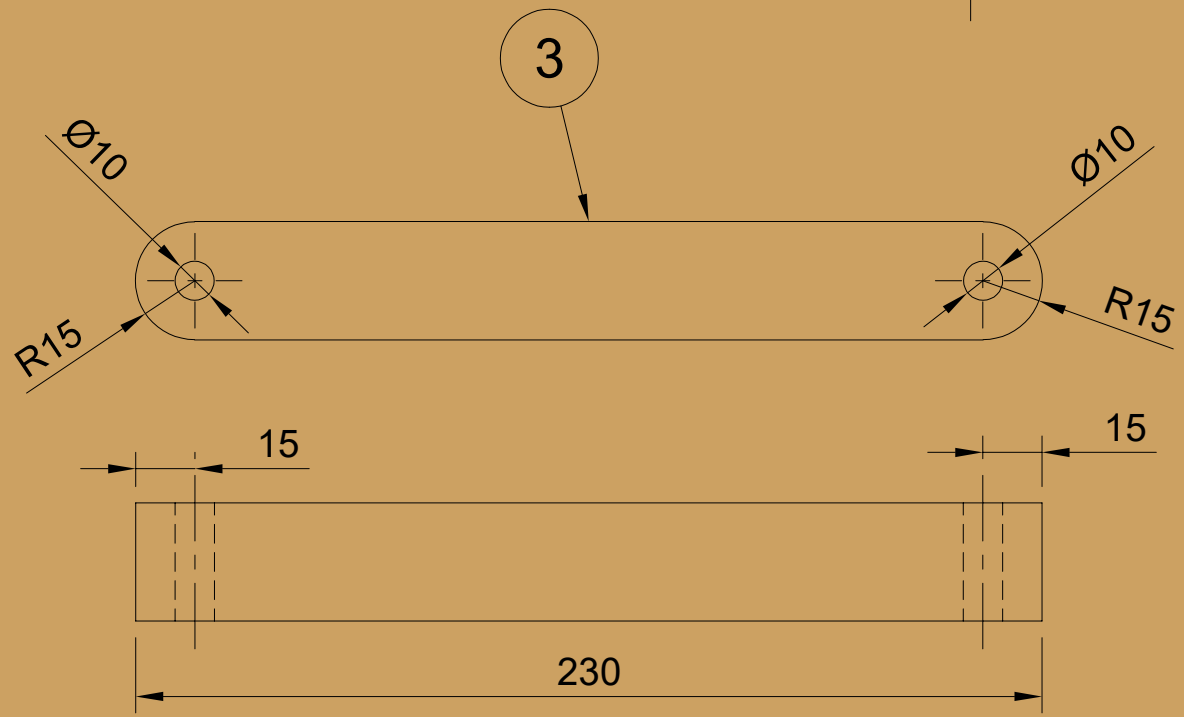
Parts List		
Item	Qty	Part Number
1	1	LED
2	2	Base
3	1	Haste
4	2	Arm

Dept.	Technical reference	Created by Pistacchio Graphic	Approved by
		Document type 10# Fusion 360	Document status https://bit.ly/3GR895D
		Title Table Lamp	DWG No.
		Rev.	Date of issue 09/01/2022



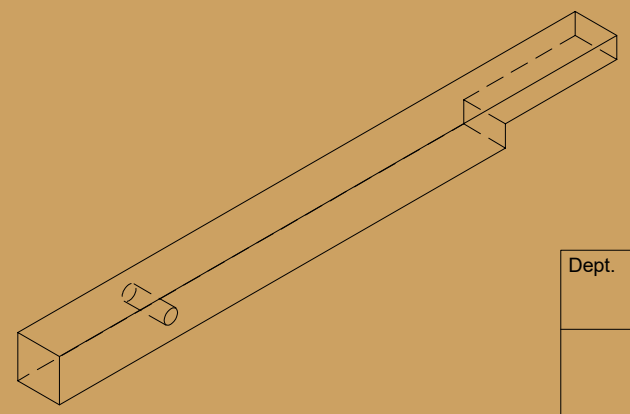
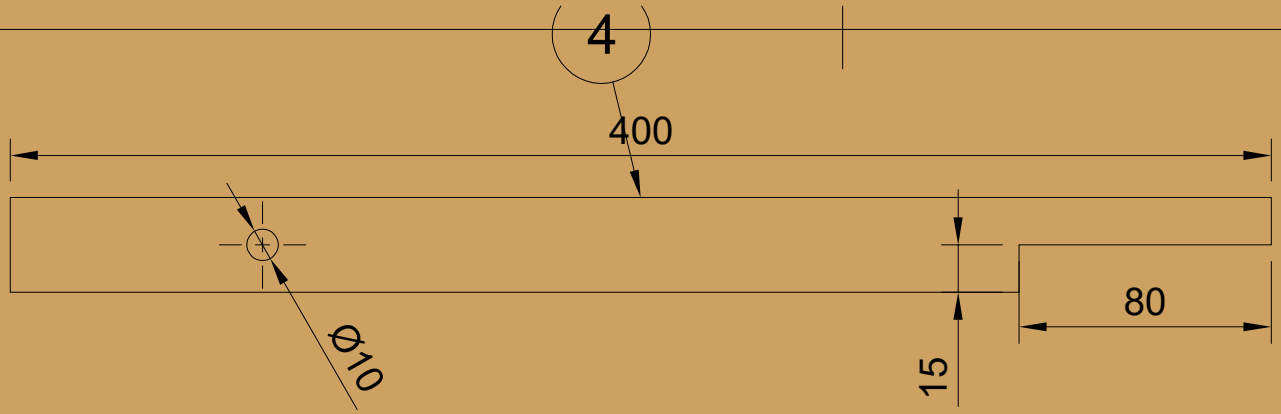
Parts List		
Item	Qty	Part Number
2	1	Base

Dept.	Technical reference	Created by Pistacchio Graphic	Approved by	
		Document type #10 Fusion 360	Document status Table Lamp	
		Title Base	DWG No.	
		Rev.	Date of issue 09/01/2022	Sheet 1/1



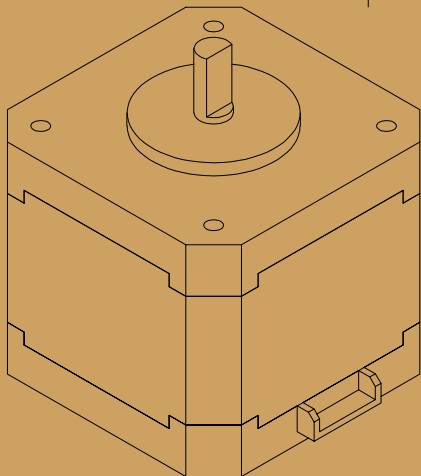
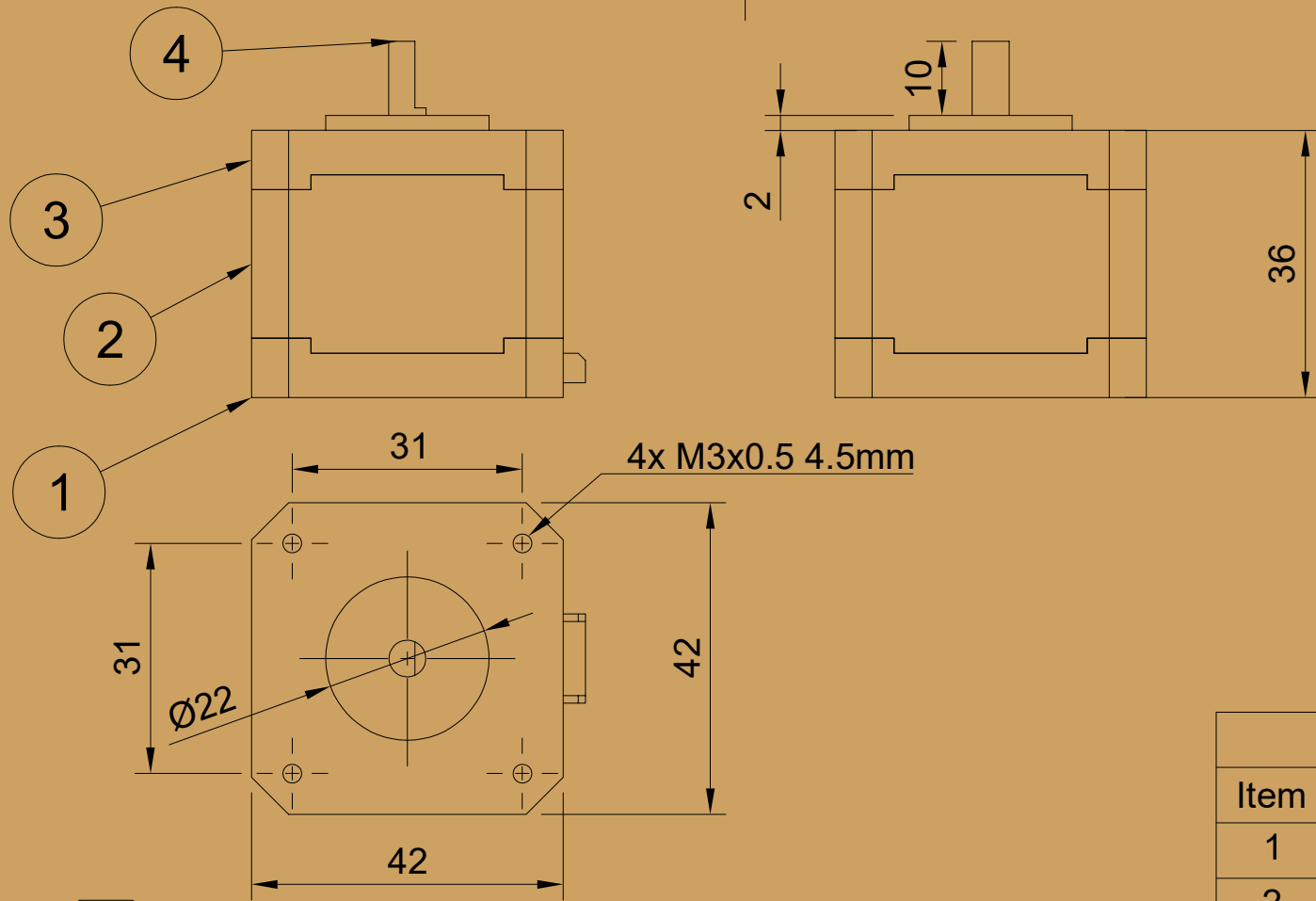
Parts List		
Item	Qty	Part Number
3	1	Haste

Dept.	Technical reference	Created by Pistacchio Graphic	Approved by	
		Document type 10# Fusion 360	Document status Table Lamp	
		Title Haste	DWG No.	
		Rev.	Date of issue	Sheet 1/1



Parts List		
Item	Qty	Part Number
4	1	Arm

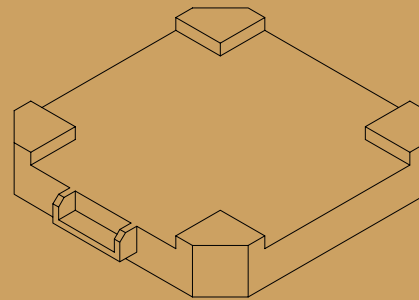
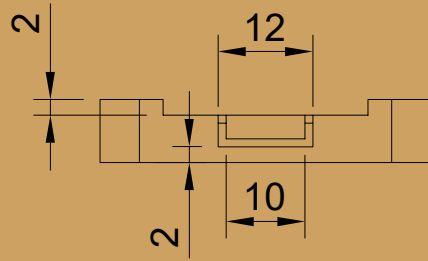
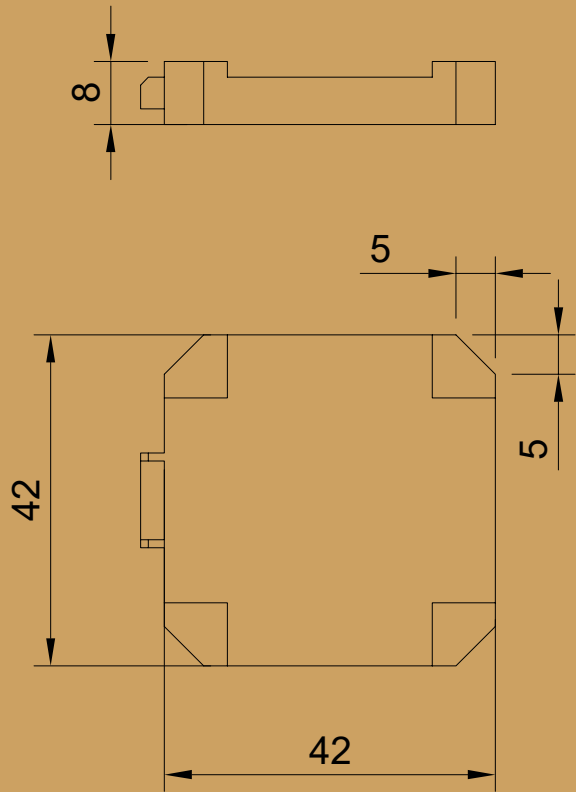
Dept.	Technical reference	Created by Pistacchio Graphic	Approved by	
		Document type #10 Fusion 360	Document status Table Lamp	
		Title Arm	DWG No.	
		Rev.	Date of issue 09/01/2022	Sheet 1/1



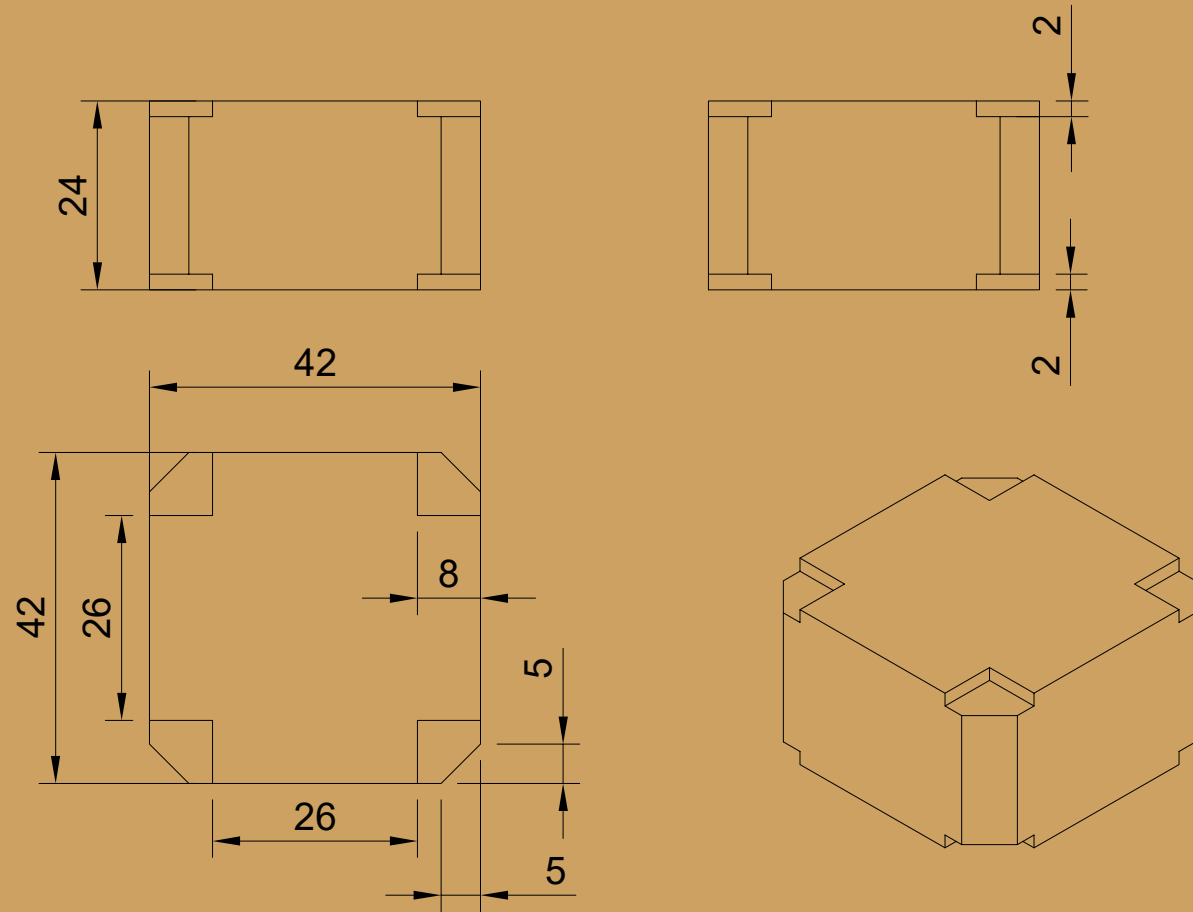
Parts List		
Item	Qty	Part Number
1	1	Base
2	1	Middle
3	1	Top
4	1	Axis

Dept.	Technical reference	Created by Pistacchio Graphic	Approved by
		Document type #11 Fusion 360 Tutorial	Document status
		Title NEMA 17 Motor	DWG No.
Rev.	Date of issue 12/01/2023	Sheet 1/1	

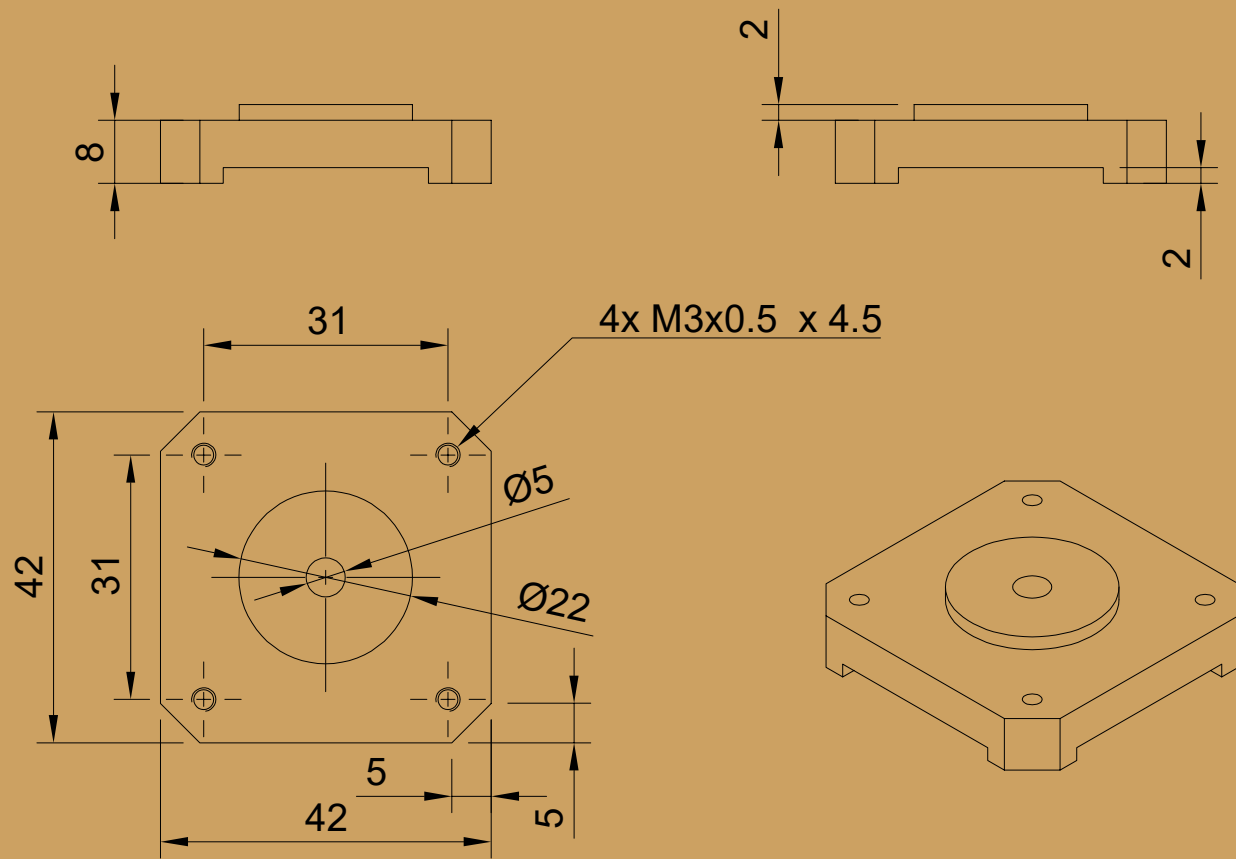




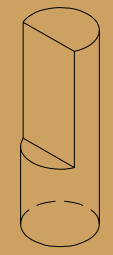
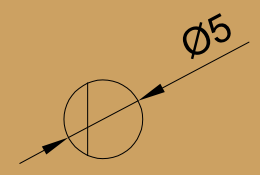
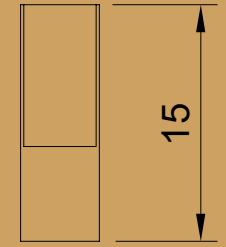
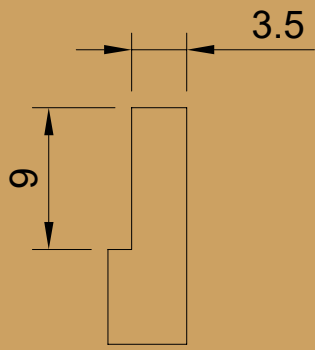
Dept.	Technical reference	Created by Pistacchio Graphic	Approved by	
		Document type #11 Fusion 360 Tutorial	Document status	
		Title Base	DWG No.	
		Rev.	Date of issue 12/01/2023	Sheet 1/1



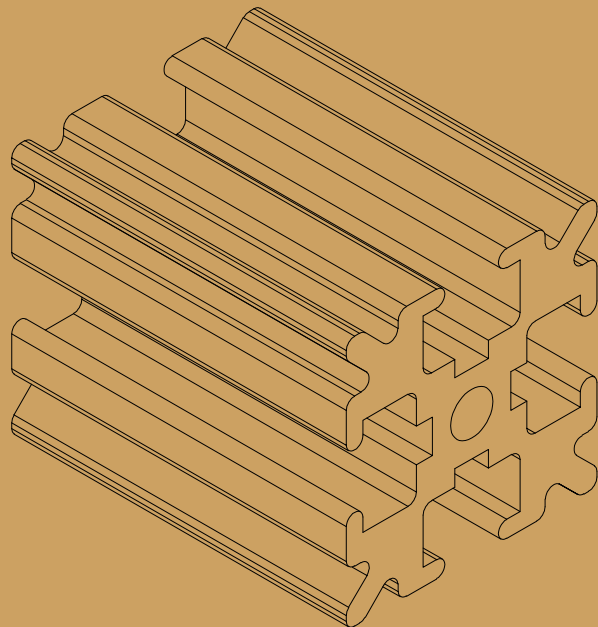
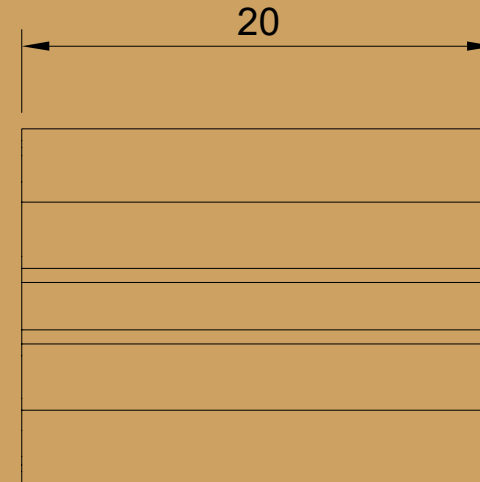
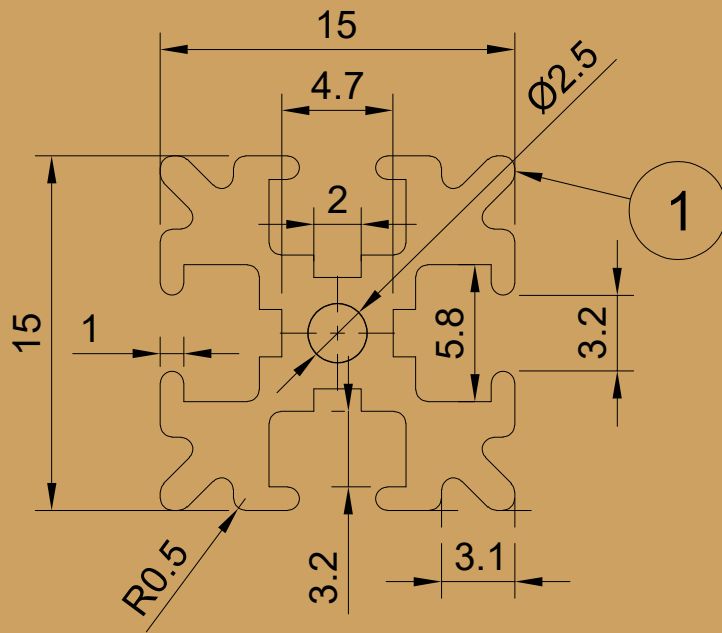
Dept.	Technical reference	Created by Pistacchio Graphic	Approved by	
		Document type #11 Fusion 360 Tutorial	Document status	
		Title Middle	DWG No.	
		Rev.	Date of issue 12/01/2023	Sheet 1/1



Dept.	Technical reference	Created by Pistacchio Graphic	Approved by	
		Document type #11 Fusion 360 Tutorial	Document status	
		Title Top	DWG No.	
		Rev.	Date of issue 12/01/2023	Sheet 1/1

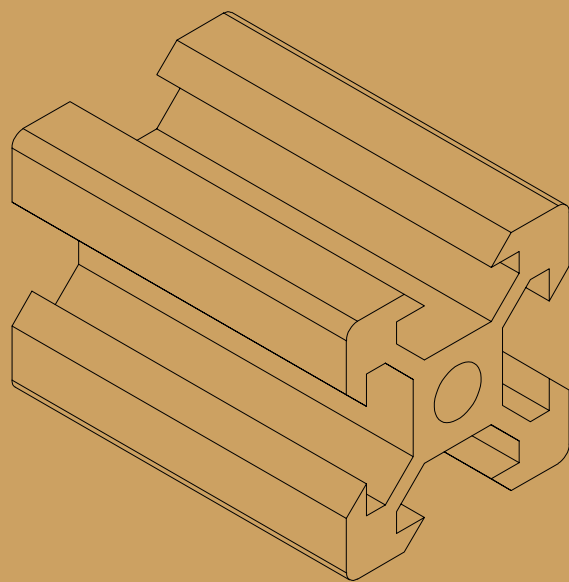
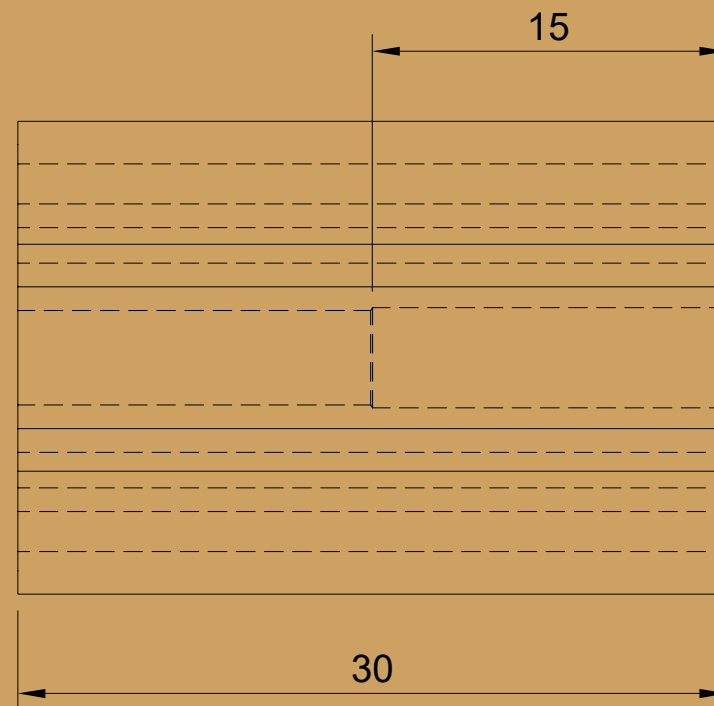
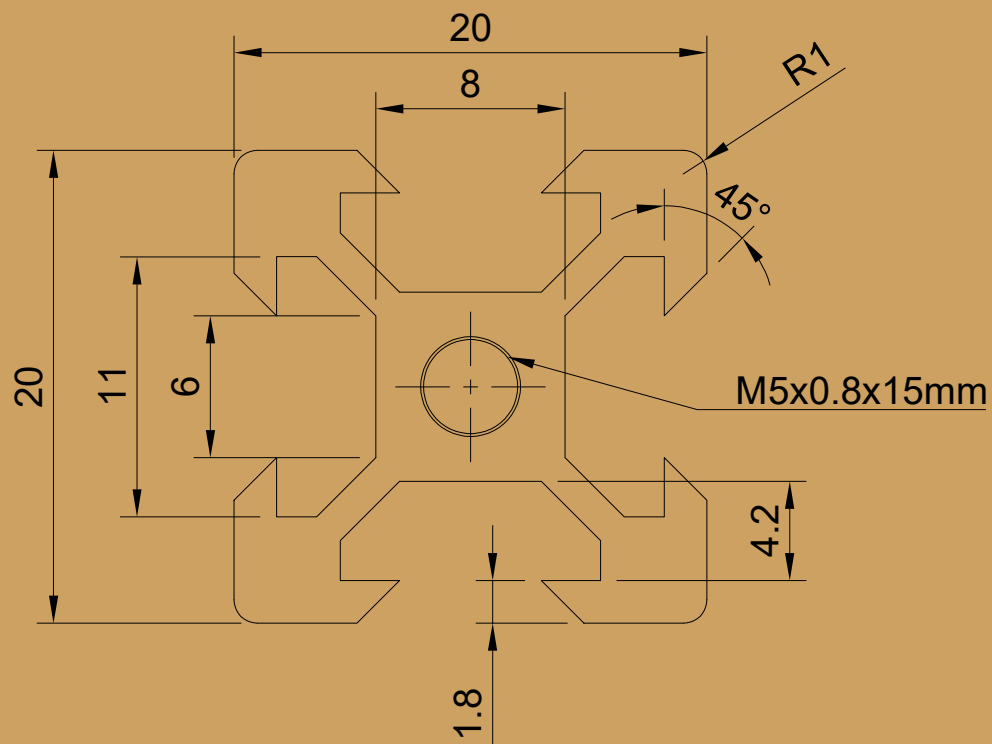


Dept.	Technical reference	Created by Pistacchio Graphic	Approved by	
		Document type #11 Fusion 360 Tutorial	Document status	
		Title Axis	DWG No.	
		Rev.	Date of issue 12/01/2023	Sheet 1/1



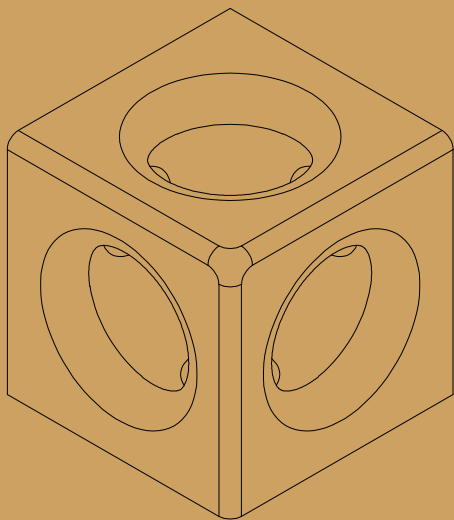
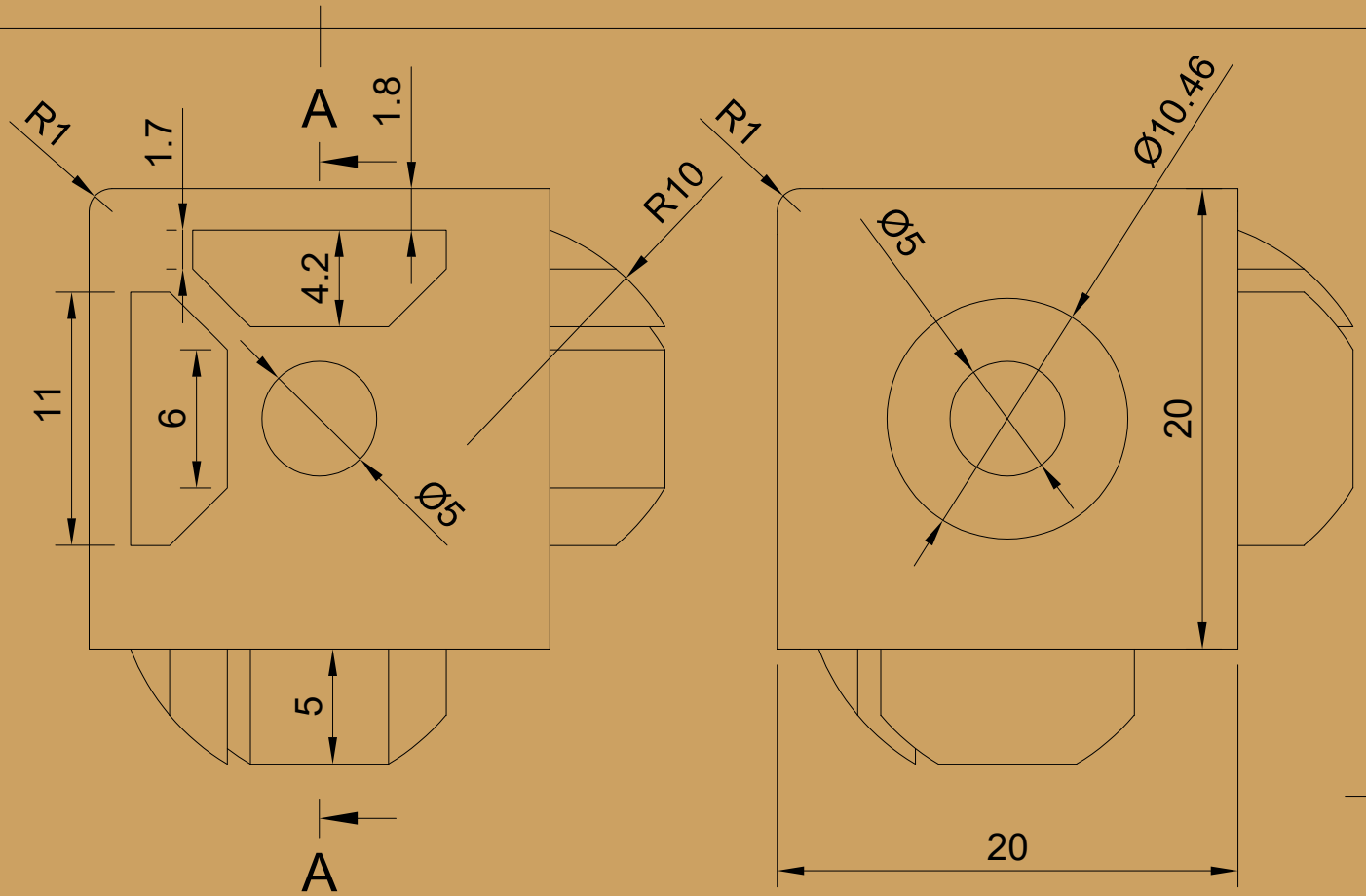
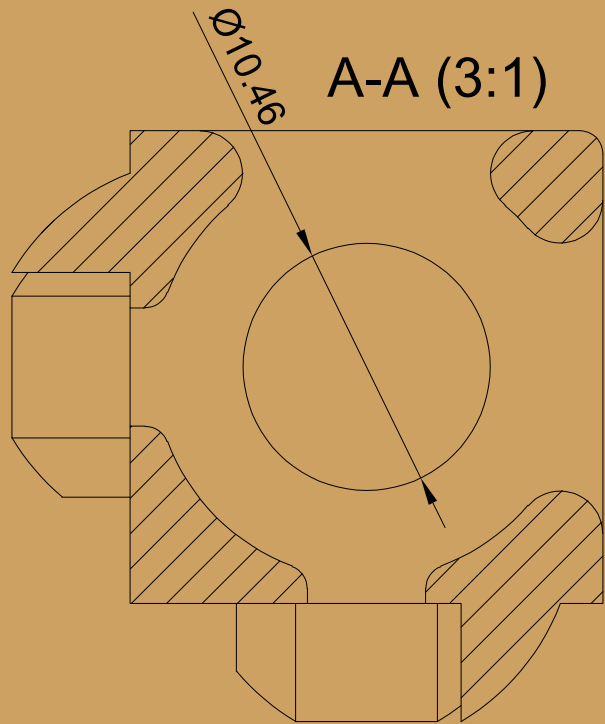
Parts List		
Item	Qty	Part Number
1	1	Profile

Dept.	Technical reference	Created by Pistacchio Graphic	Approved by
		Document type #12 Fusion 360	Document status https://bit.ly/3QZxX2P
		Title Profile 15x15	DWG No.
Rev.	Date of issue 18/01/2023	Sheet 1/1	



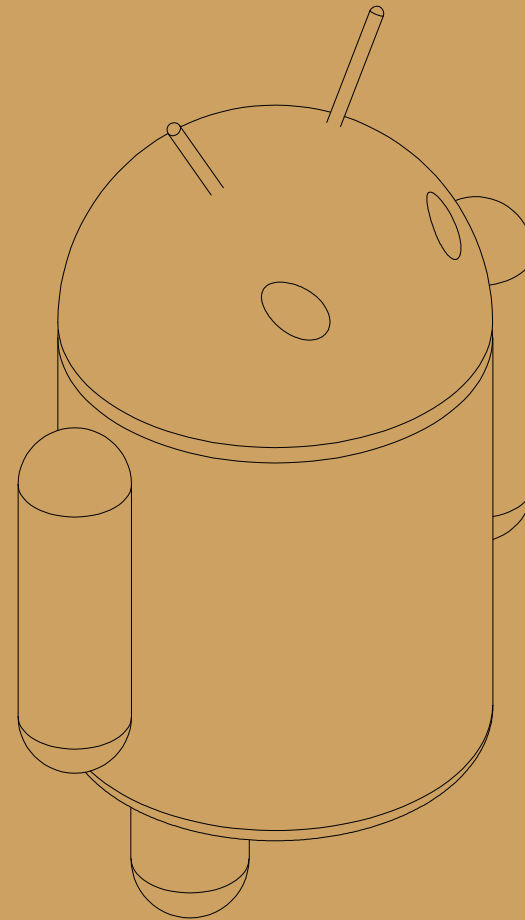
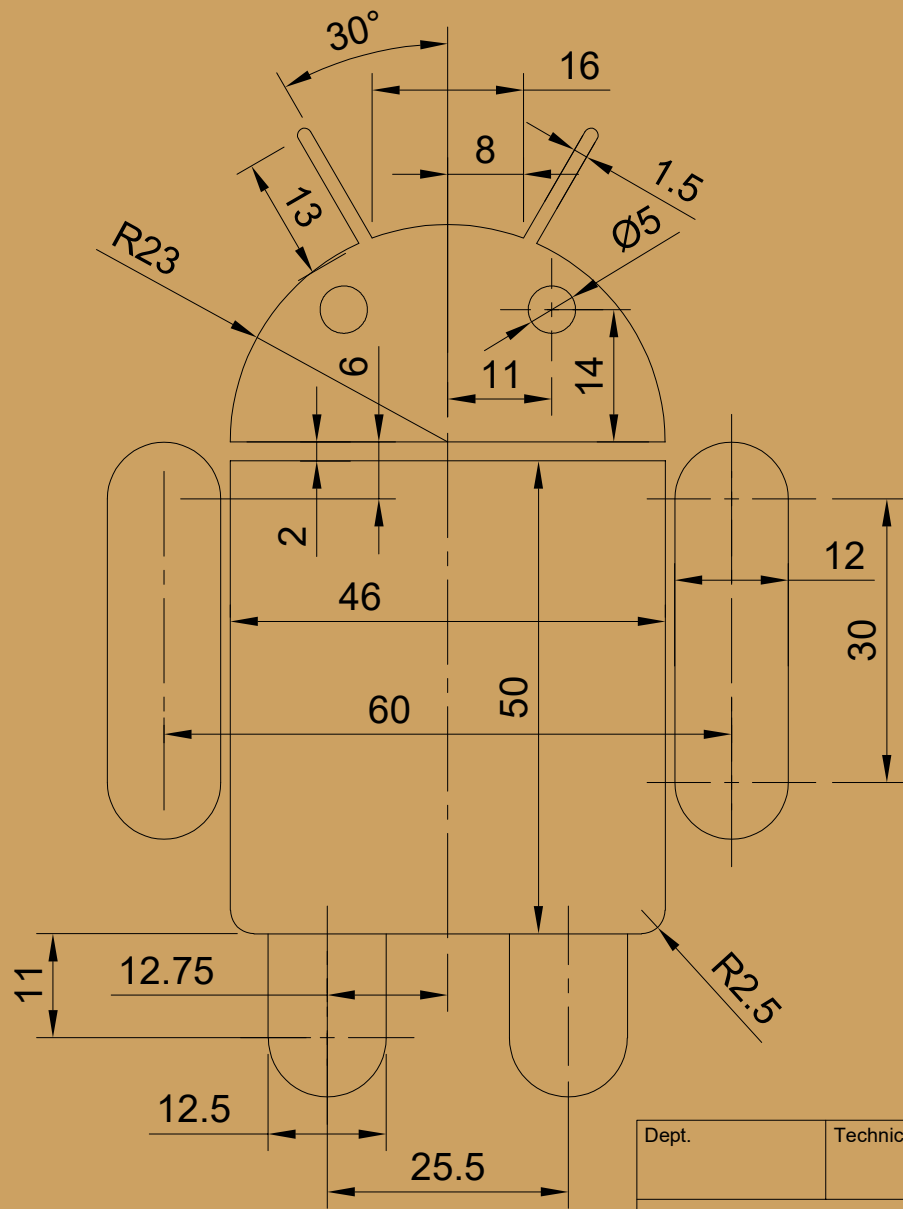
Dept.	Technical reference	Created by Pistacchio Graphic	Approved by	
		Document type #13 Fusion 360	Document status https://bit.ly/3IXdGZT	
		Title Profile 20x20mm	DWG No.	
			Rev.	Date of issue 18/01/2023
				Sheet 1/1





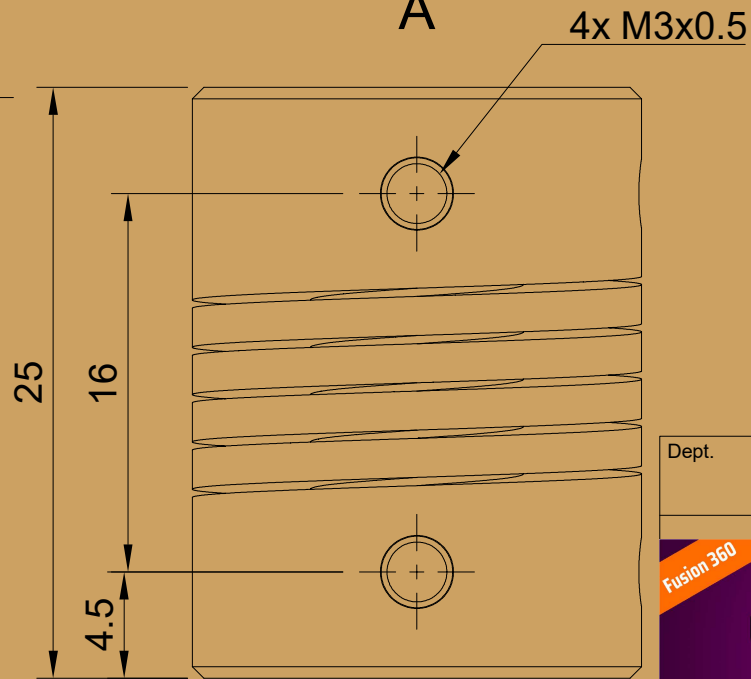
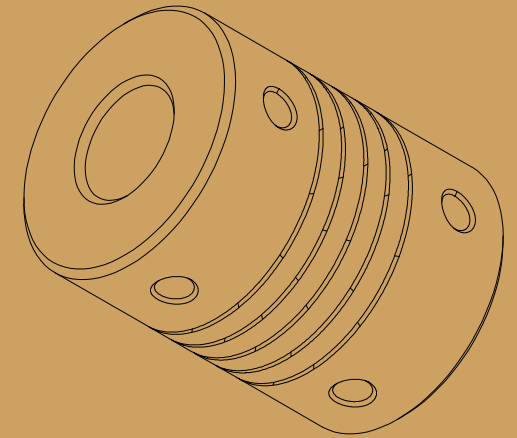
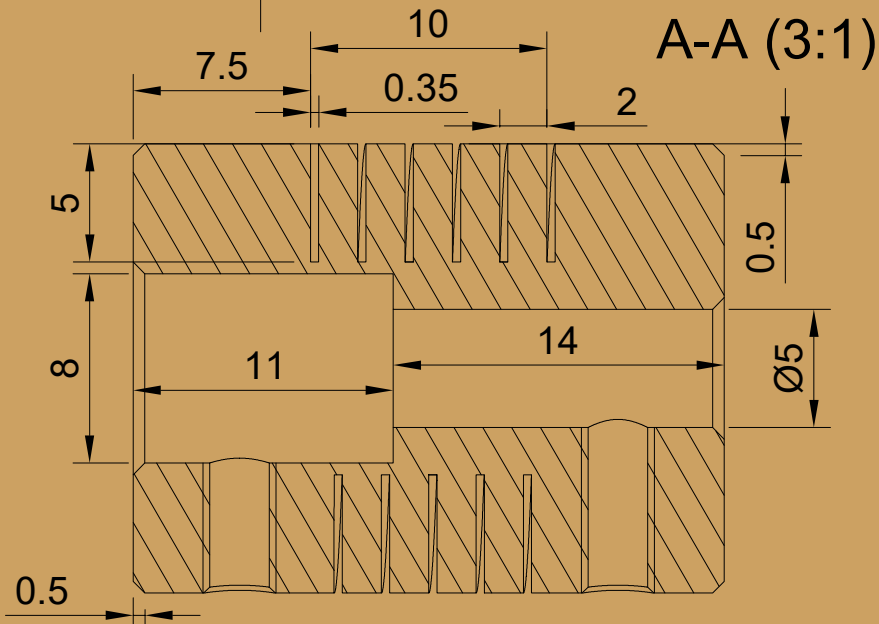
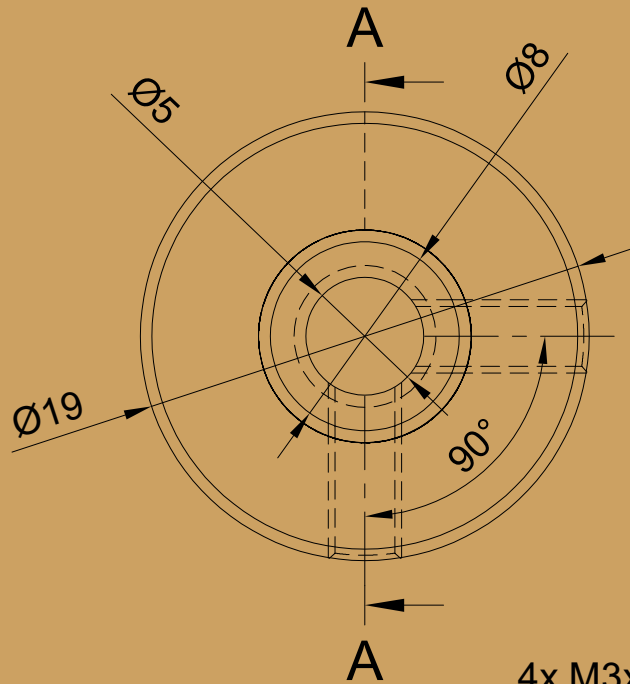
Dept.	Technical reference	Created by Pistacchio Graphic	Approved by
		Document type #14 Fusion 360	Document status https://bit.ly/3QQAlbY
		Title Corner Profile	DWG No.
		Rev.	Date of issue 18/01/2023
			Sheet 1/1





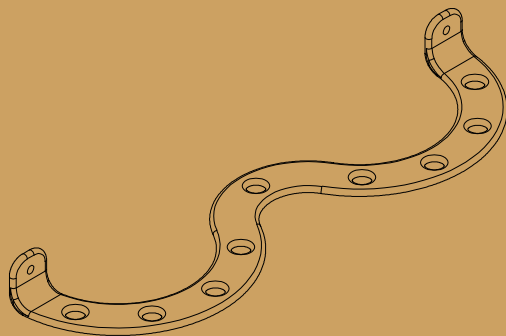
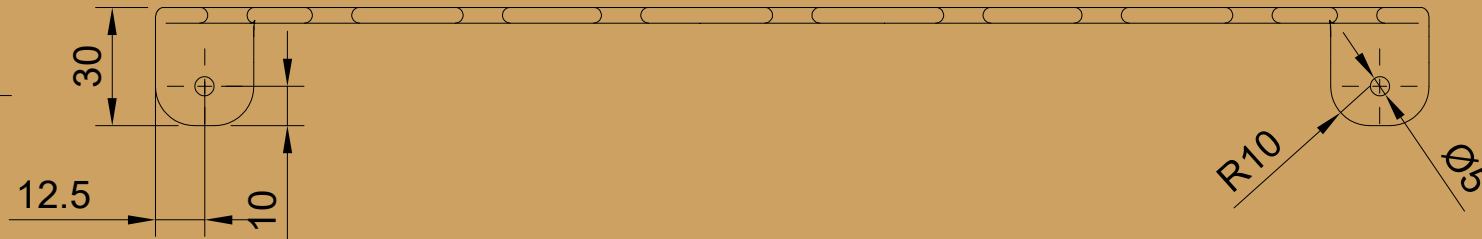
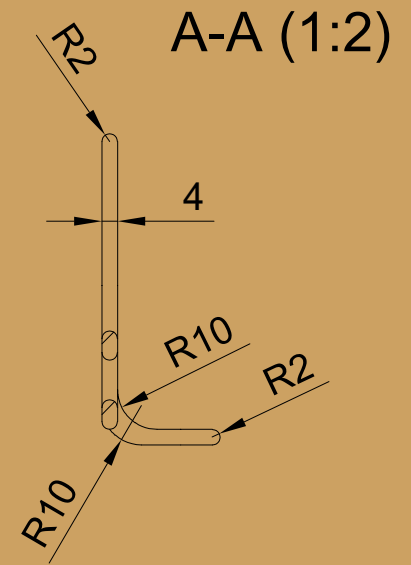
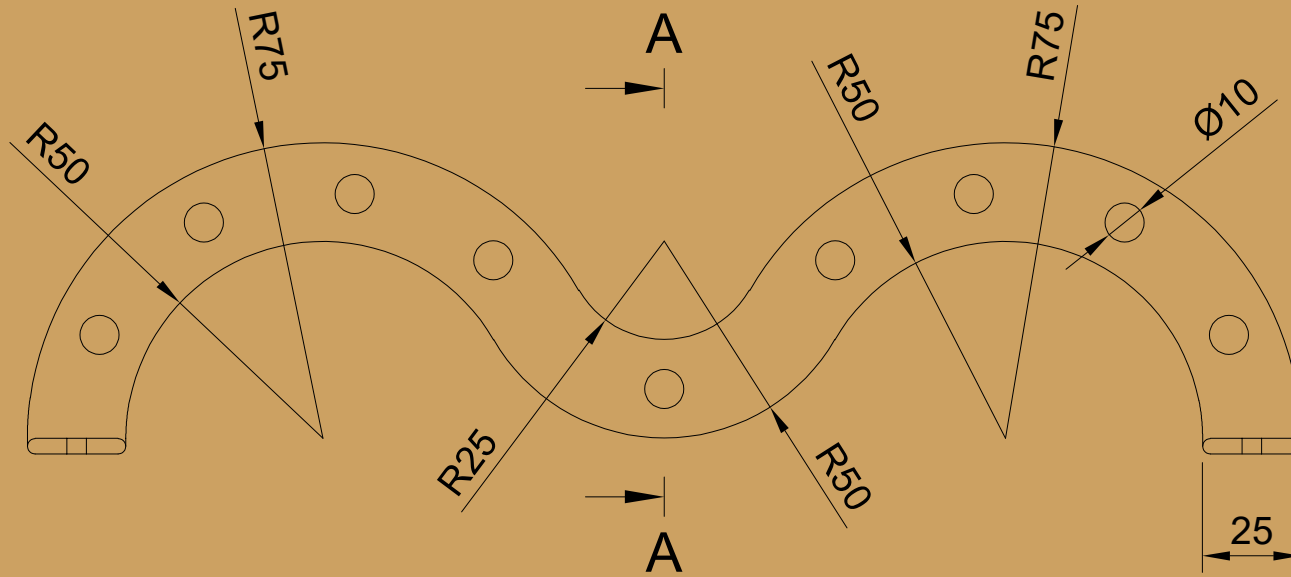
Dept.	Technical reference	Created by Pistacchio Graphic	Approved by
		Document type Fusion 360 #15	Document status https://bit.ly/3WDeiqH
		Title Android 3D	DWG No.
Rev.	Date of issue 24/01/2023	Sheet 1/1	





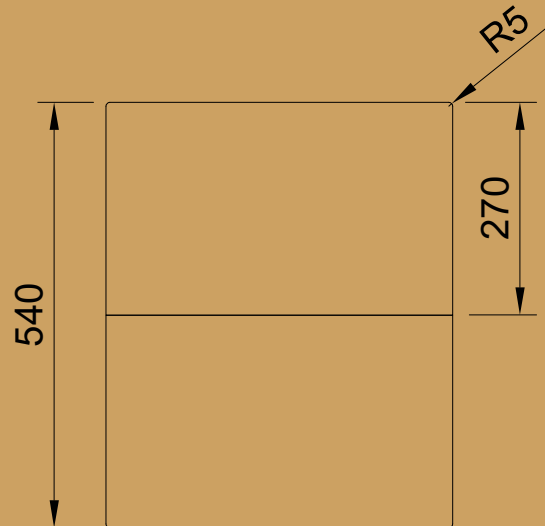
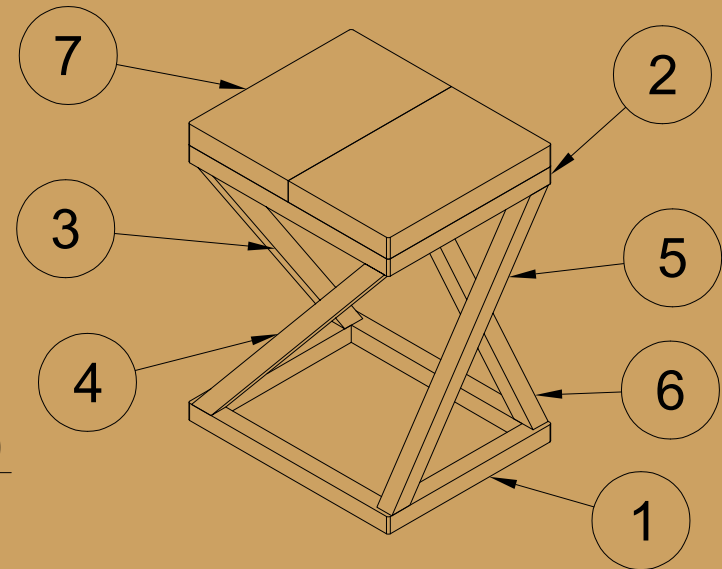
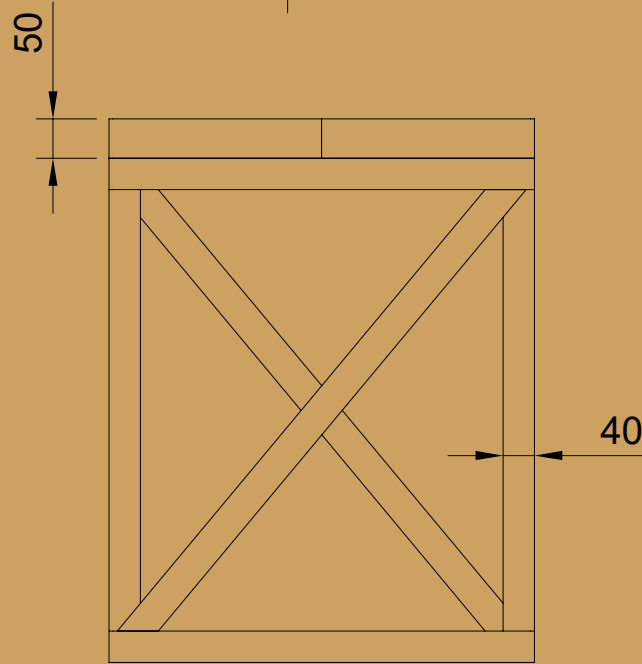
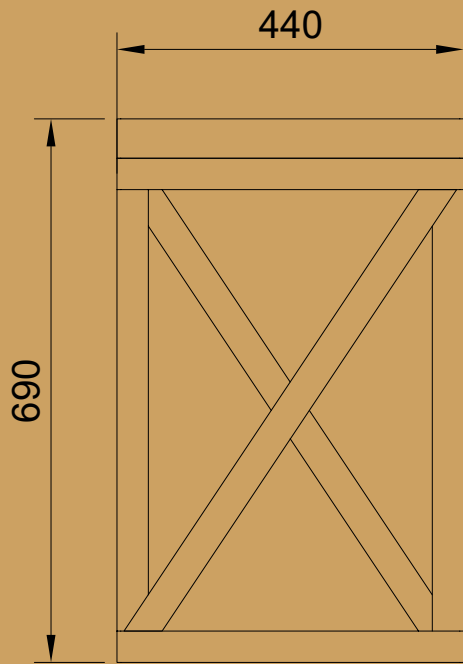
Dept.	Technical reference	Created by Pistacchio Graphic	Approved by
		Document type #16 Fusion 360	Document status https://youtu.be/vGPQoBuB7io
		Title Flexible Shaft Coupling	DWG No.
		Rev.	Date of issue 25/01/2023
			Sheet 1/1





Dept.	Technical reference	Created by Pistacchio Graphic	Approved by
		Document type 17# Fusion 360	Document status https://youtu.be/o3eAXkLTydE
		Title Organizer Tool	DWG No.
		Rev.	Date of issue 29/01/2023
			Sheet 1/1

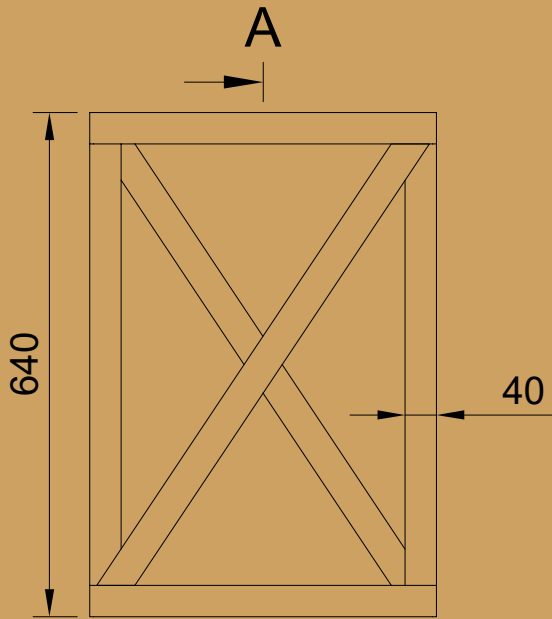




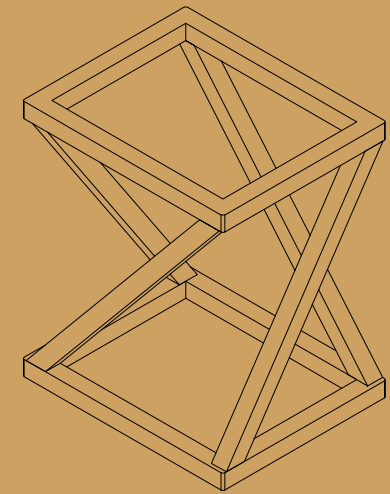
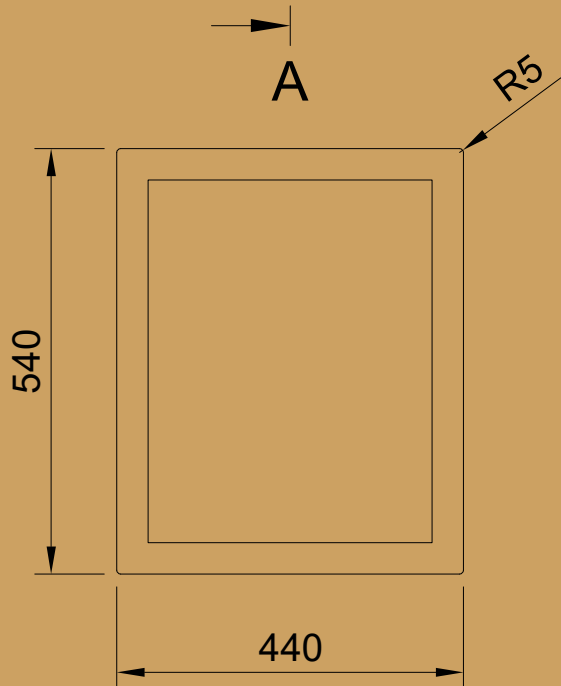
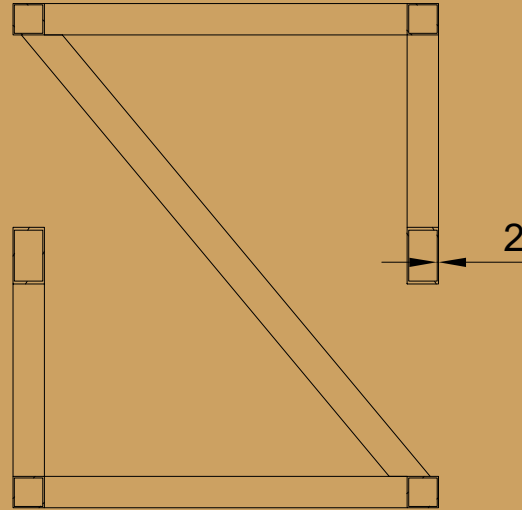
Parts List		
Item	Qty	Part Number
1	1	Base
2	1	Top
3	1	PipeA
4	1	PipeB
5	1	Pipe C
6	1	PipeD
7	2	Table

Dept.	Technical reference	Created by Pistacchio Graphic	Approved by
		Document type Fusion 360 #18	Document status https://youtu.be/zG5dPqZxxqA
		Title Bench Twist	DWG No.
		Rev.	Date of issue 10/02/2023
		Sheet	1/1

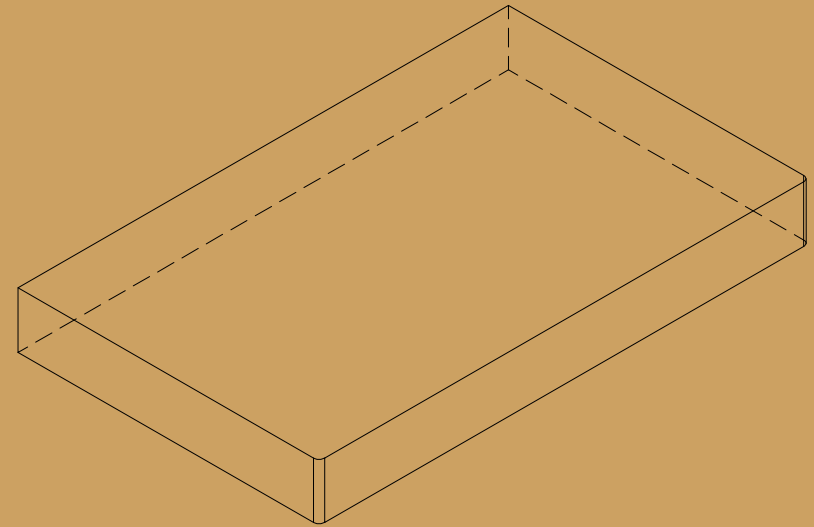




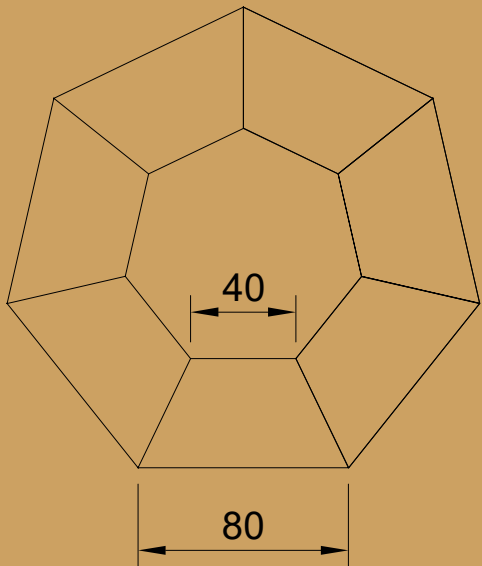
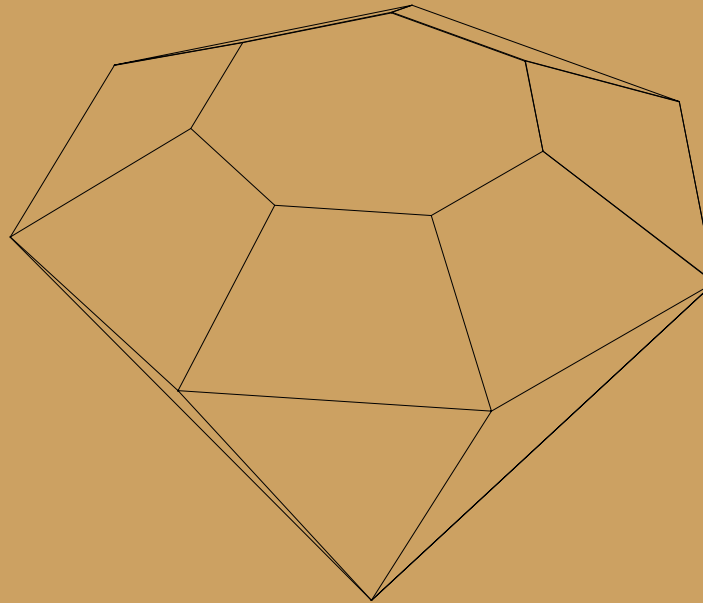
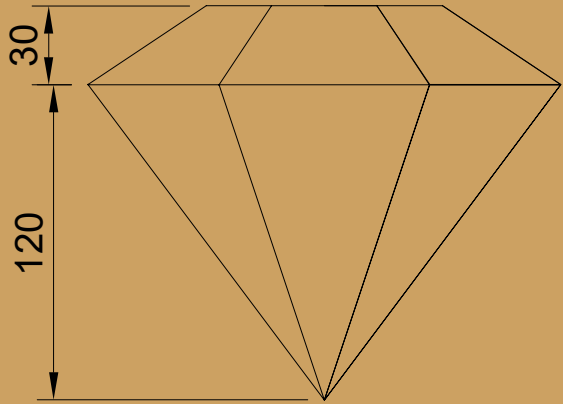
A-A (1:10)



Dept.	Technical reference	Created by Pistacchio Graphic	Approved by	
		Document type Fusion 360 #18	Document status	
		Title Bench Twist	DWG No.	
		Rev.	Date of issue 10/02/2023	Sheet 1/1

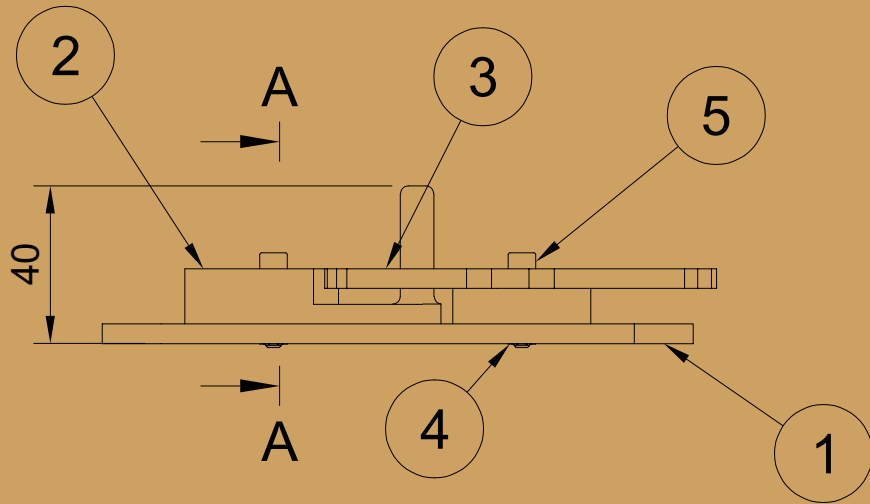


Dept.	Technical reference	Created by Pistacchio Graphic	Approved by	
		Document type Fusion 360 #18	Document status	
		Title Bench Twist	DWG No.	
		Rev.	Date of issue 10/02/2023	Sheet 1/1

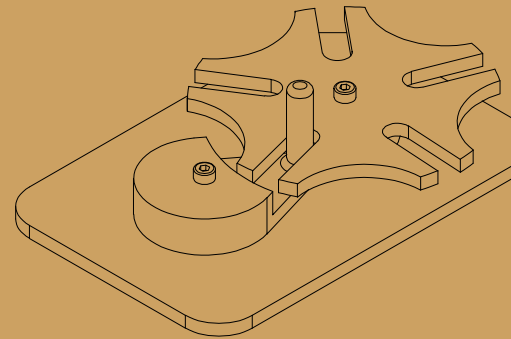
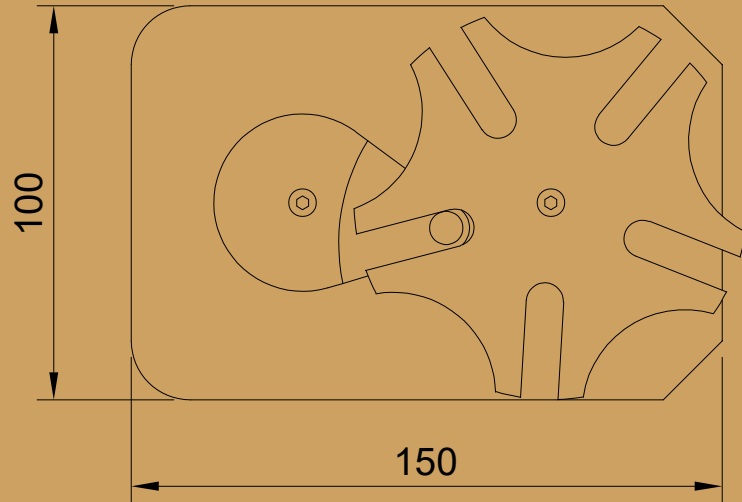
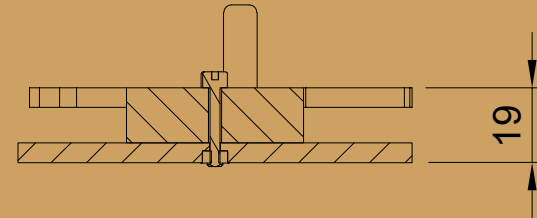


Dept.	Technical reference	Created by Pistacchio Graphic	Approved by
		Document type Fusion 360 #19	Document status https://youtu.be/Ew4Zj6hPik4
		Title Diamond 7 Sides	DWG No.
		Rev.	Date of issue 16/02/2023
			Sheet 1/1





A-A (1:2)

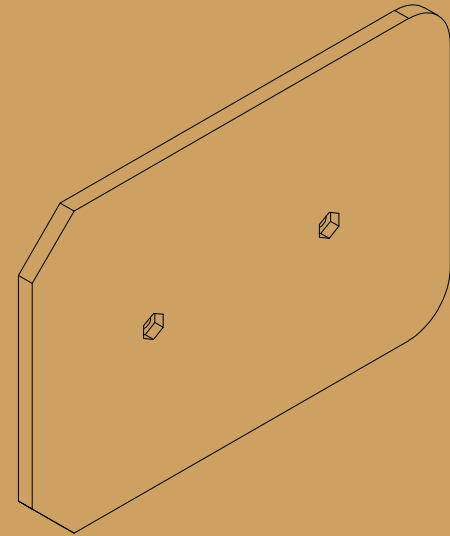
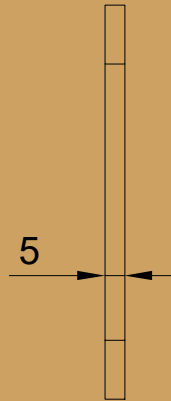
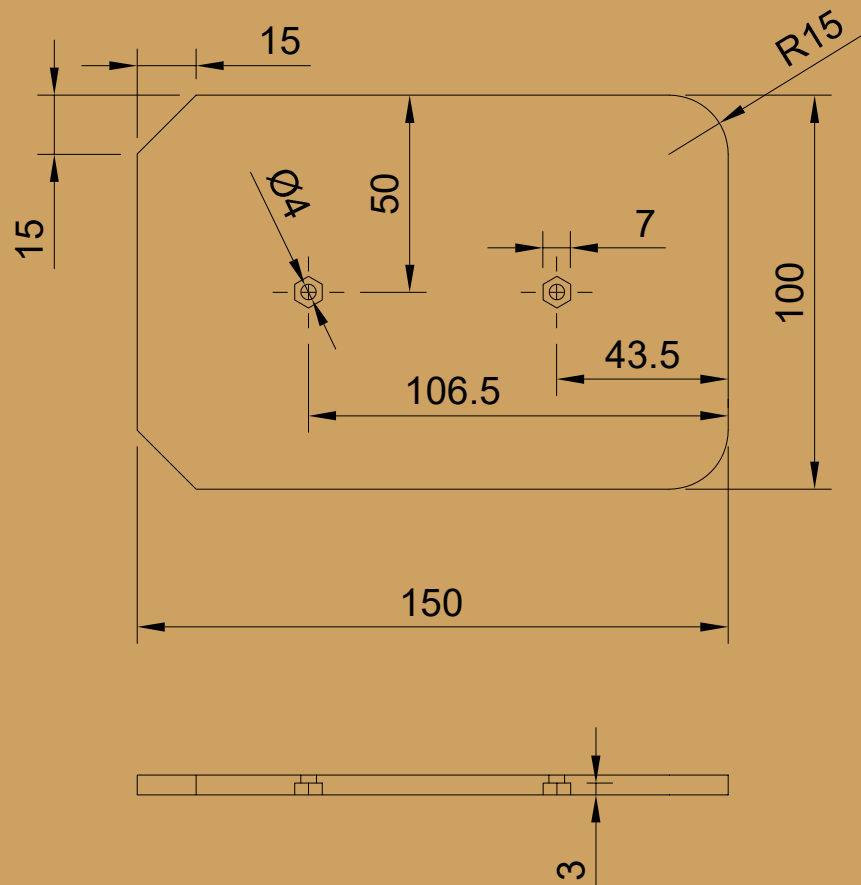


Parts List

Item	Qty	Part Number
1	1	Base
2	1	Handle
3	1	Cross
4	2	Nut M4
5	2	Screw M4x20

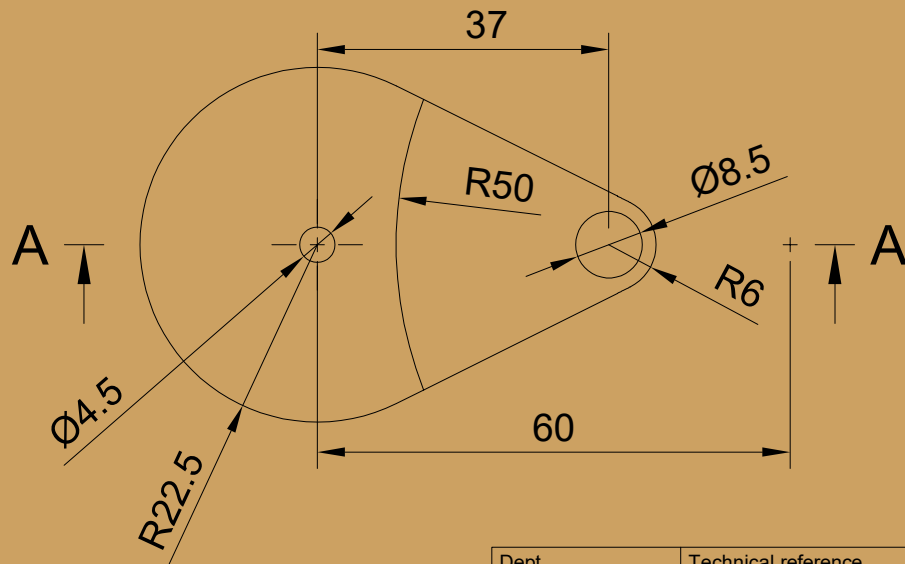
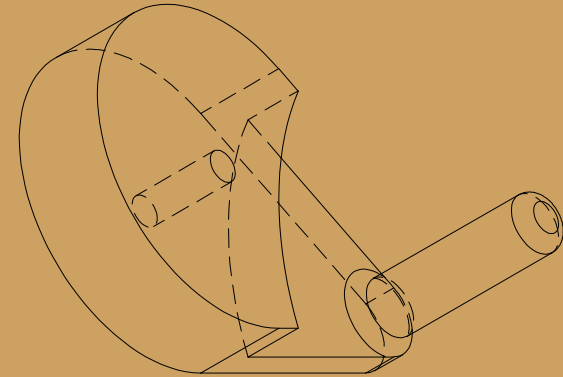
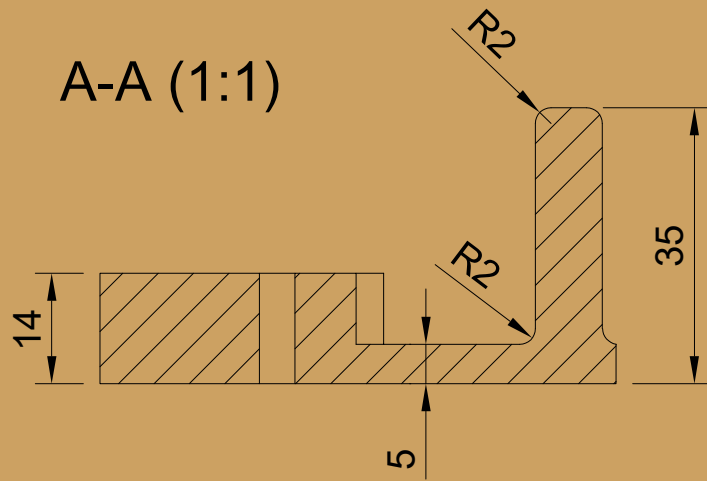
Dept.	Technical reference	Created by Pistacchio Graphic	Approved by
		Document type Fusion 360 #20	Document status https://youtu.be/CbjpnnEgpB8
		Title Geneva cross	DWG No.
		Rev.	Date of issue 12/02/2023
			Sheet 1/1



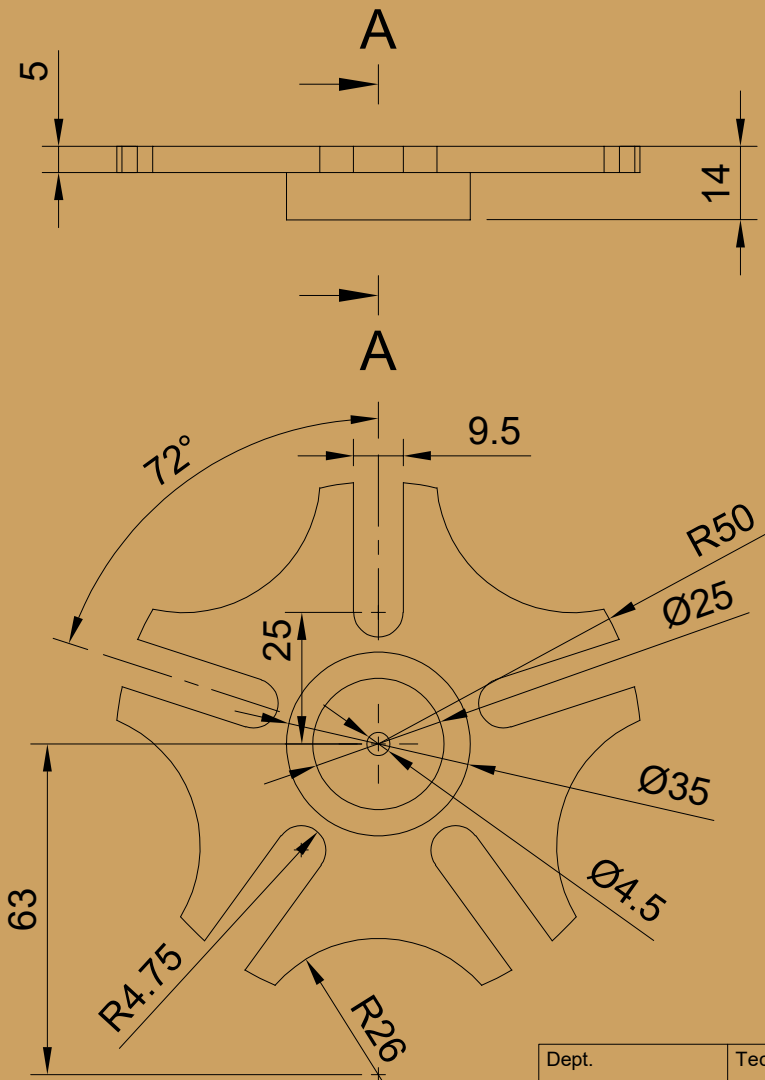


Dept.	Technical reference	Created by Pistacchio Graphic	Approved by	
		Document type Fusion 360 #20	Document status Geneva Cross	
		Title Base	DWG No.	
		Rev.	Date of issue 12/02/2023	Sheet 1/1

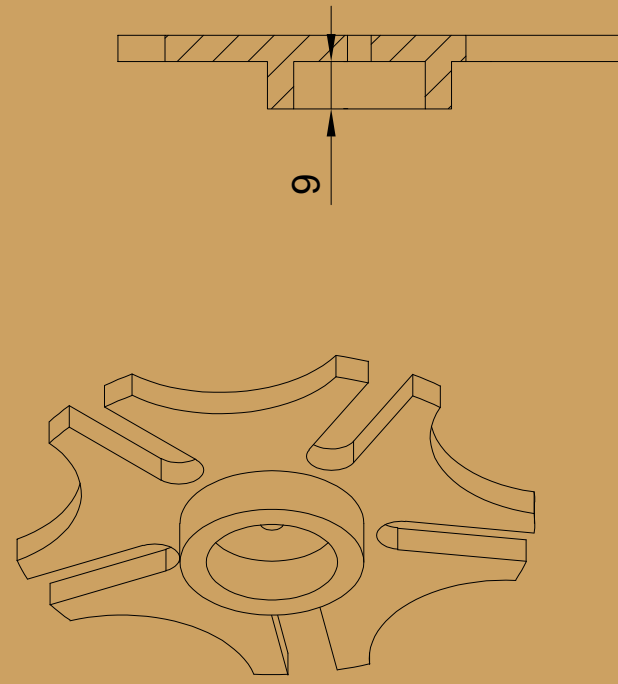
A-A (1:1)



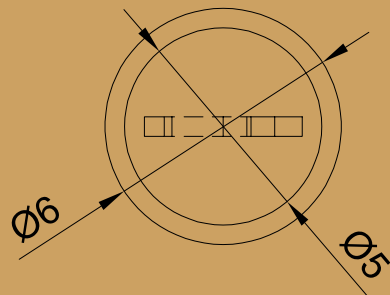
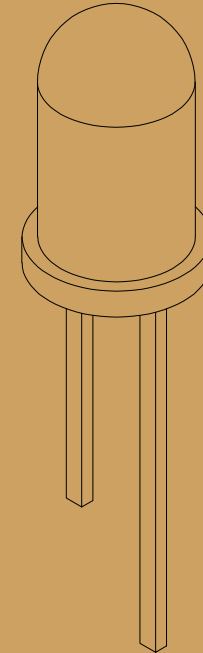
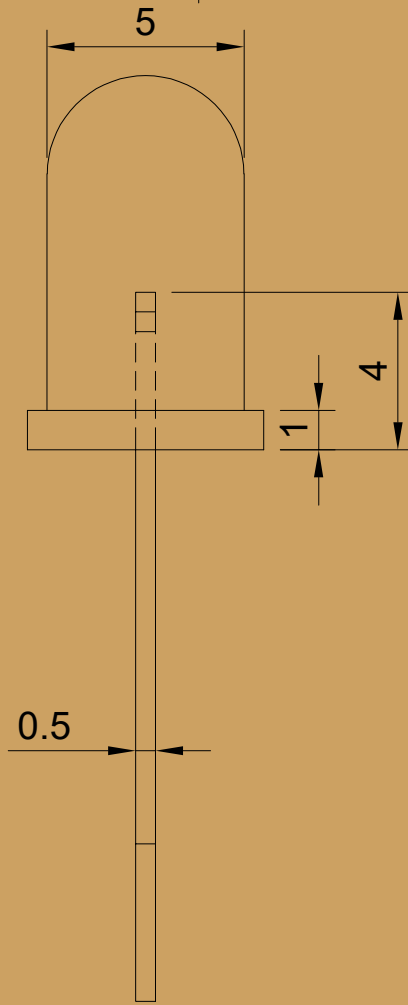
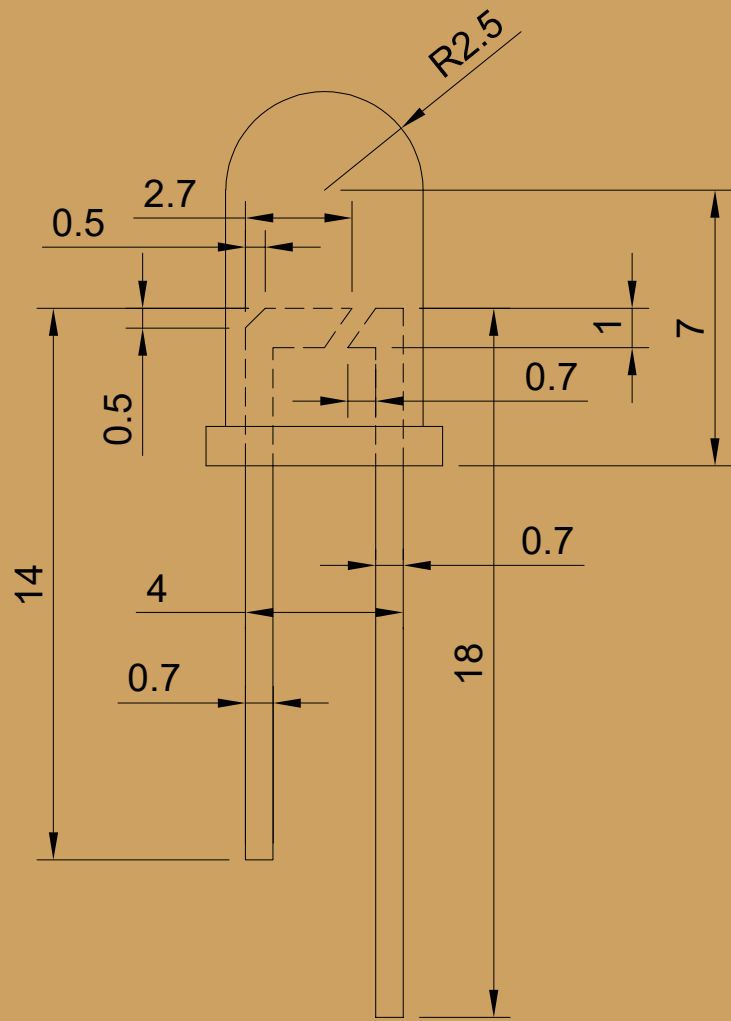
Dept.	Technical reference	Created by Pistacchio Graphic	Approved by	
		Document type Fusion 360 #20	Document status Geneva Cross	
		Title Handle	DWG No.	
		Rev.	Date of issue 12/02/2023	Sheet 1/1




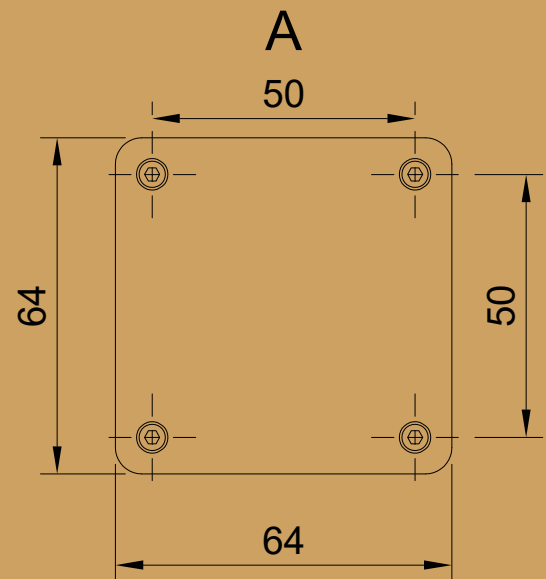
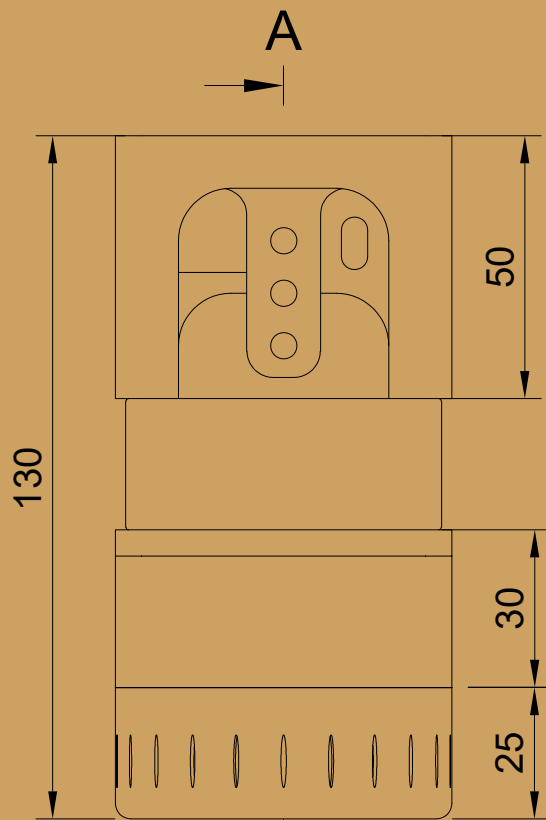
A-A
(1:1.5)



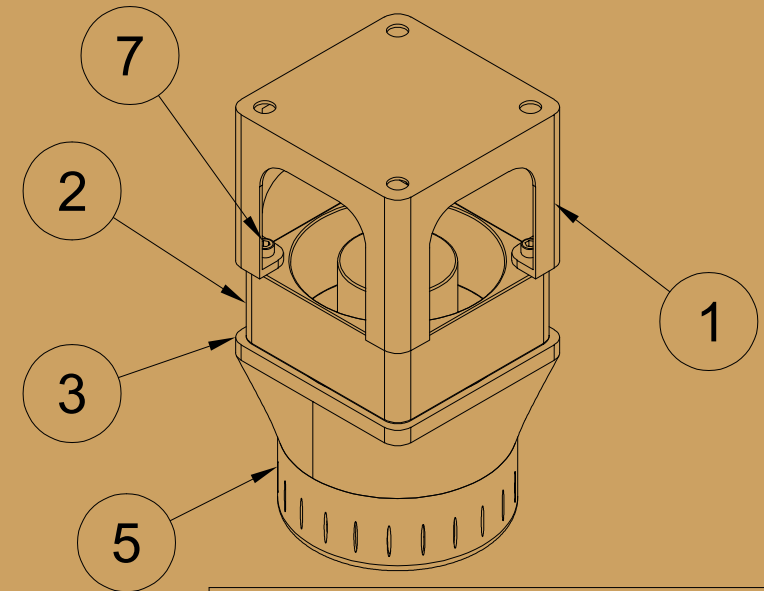
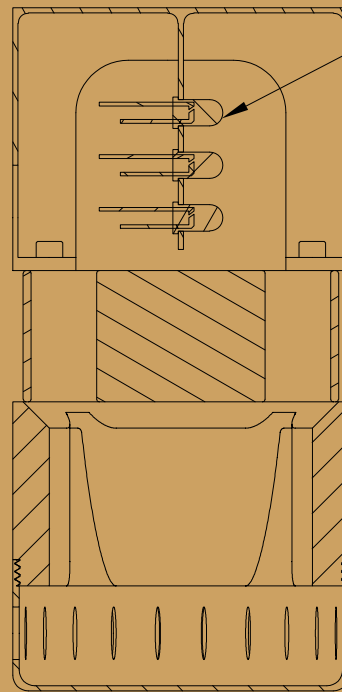
Dept.	Technical reference	Created by Pistacchio Graphic	Approved by
		Document type Fusion 360 #20	Document status Geneva Cross
		Title Cross	DWG No.
		Rev.	Date of issue
		Sheet 1/1	



Dept.	Technical reference	Created by Pistacchio Graphic	Approved by
		Document type Fusion 360 #21	Document status https://youtu.be/f-3ZIkTk56o
		Title LED 5mm	DWG No.
Rev.	Date of issue 13/02/2023	Sheet 1/1	



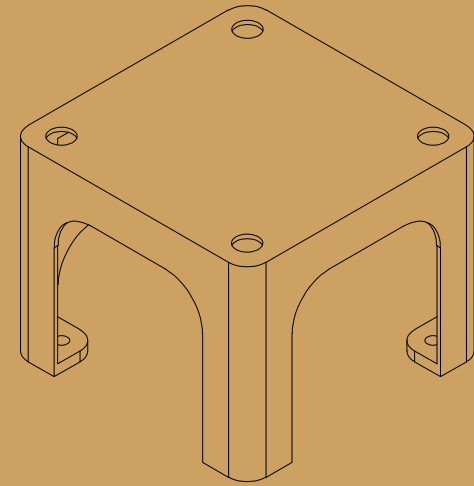
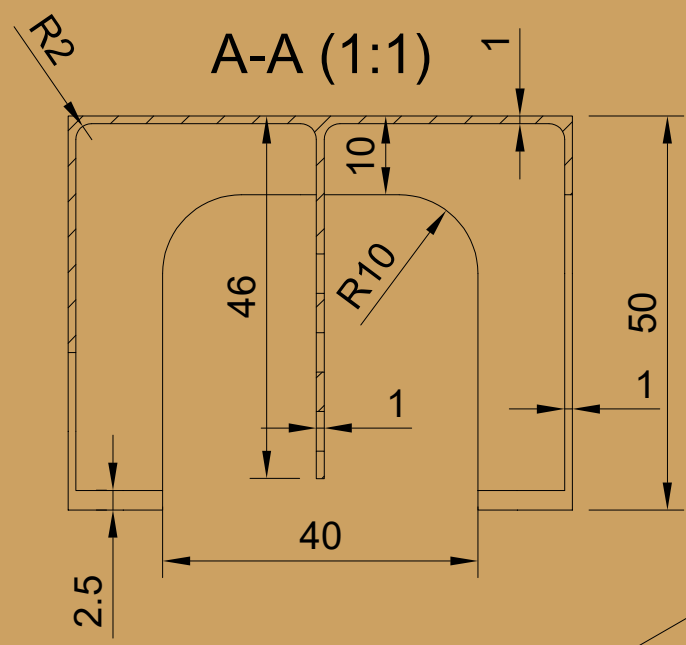
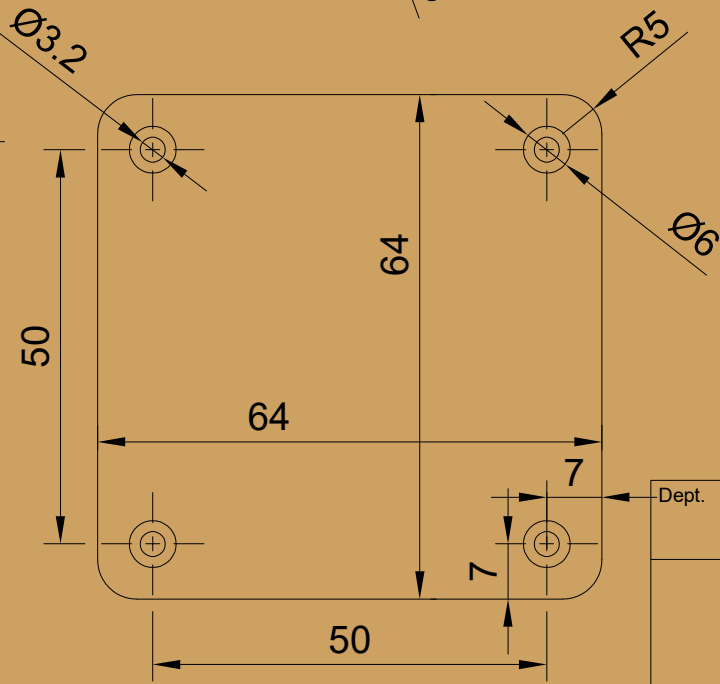
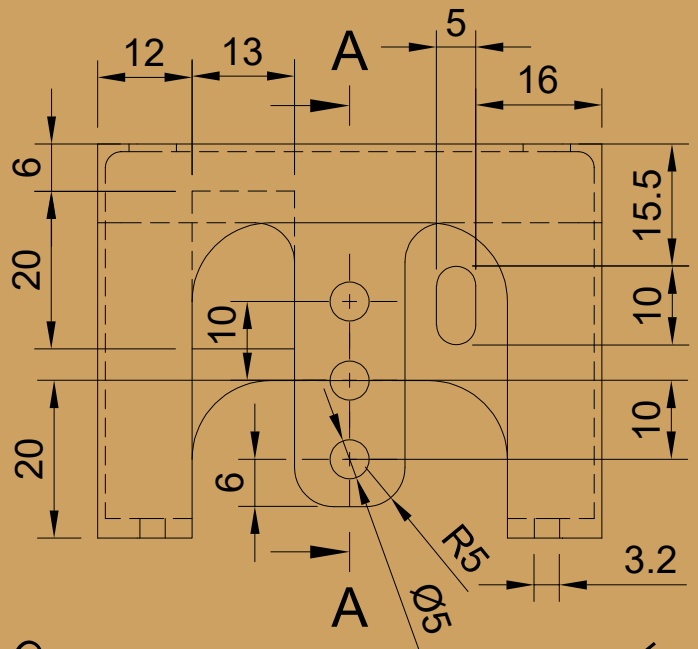
A-A (1:1.5)



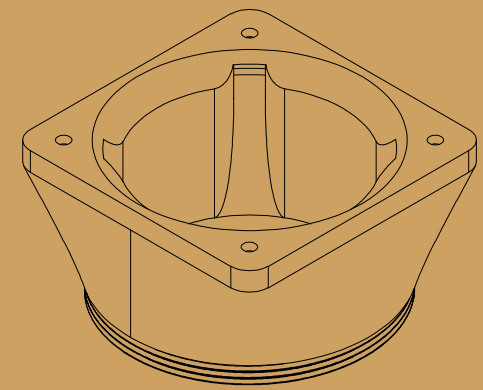
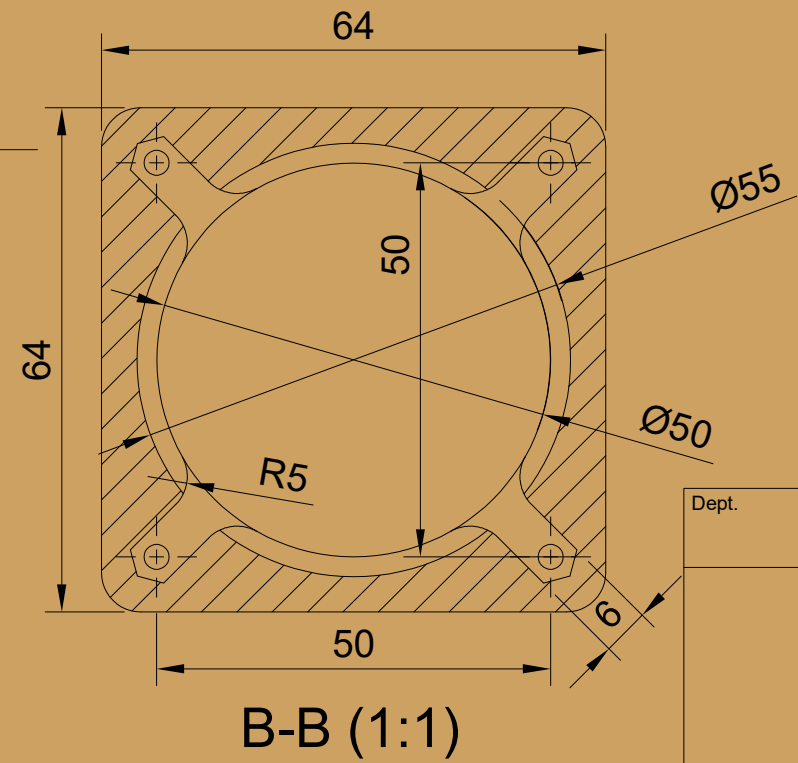
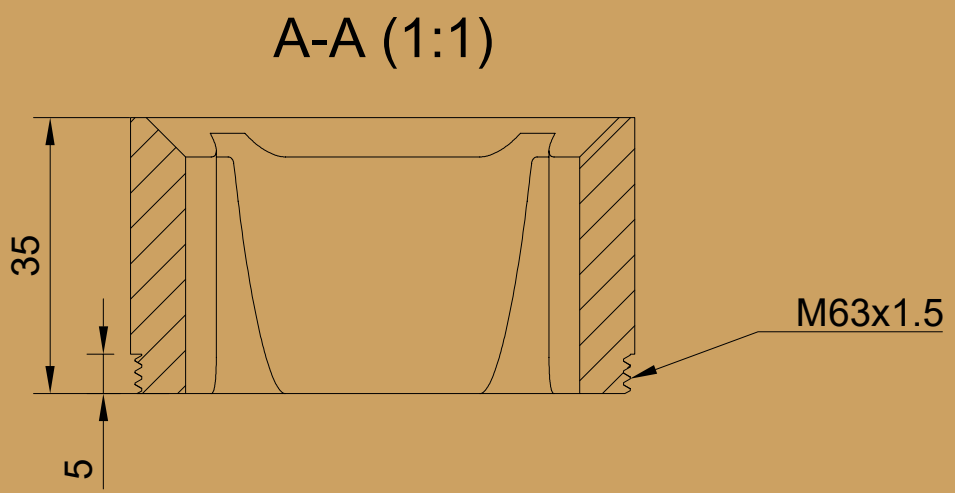
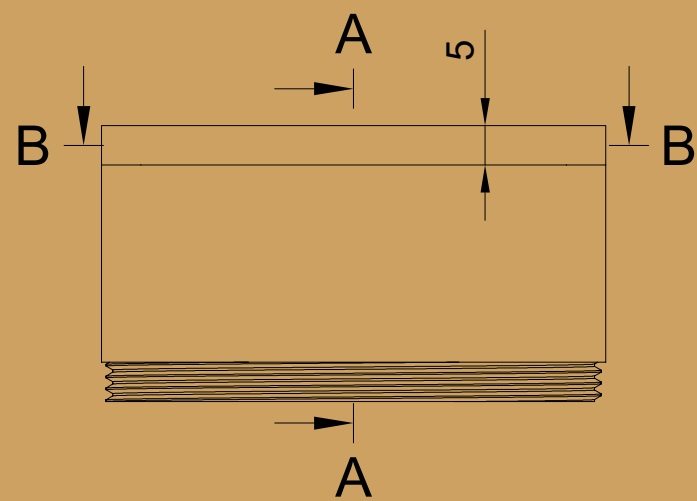
Parts List

Item	Qty	Part Number
1	1	Suport LED
2	1	Cooler
3	1	Base tread
4	4	Nut m3
5	1	Tap
6	3	LED 5mm
7	4	Screw m3x40

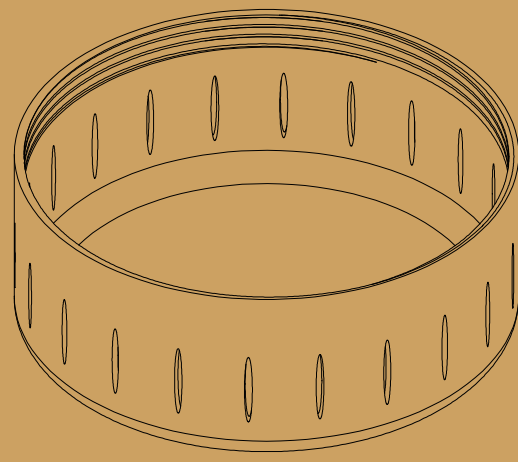
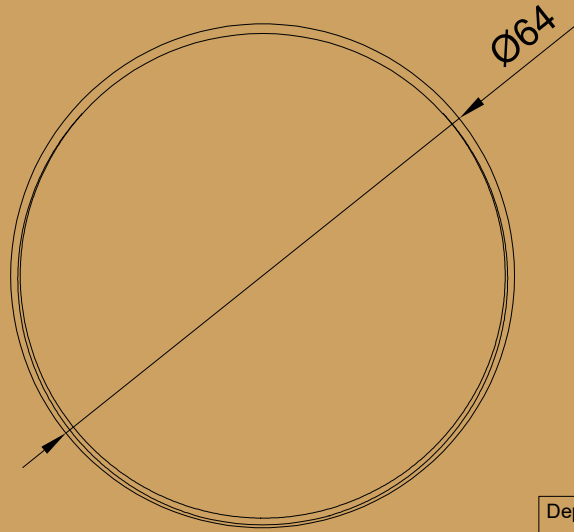
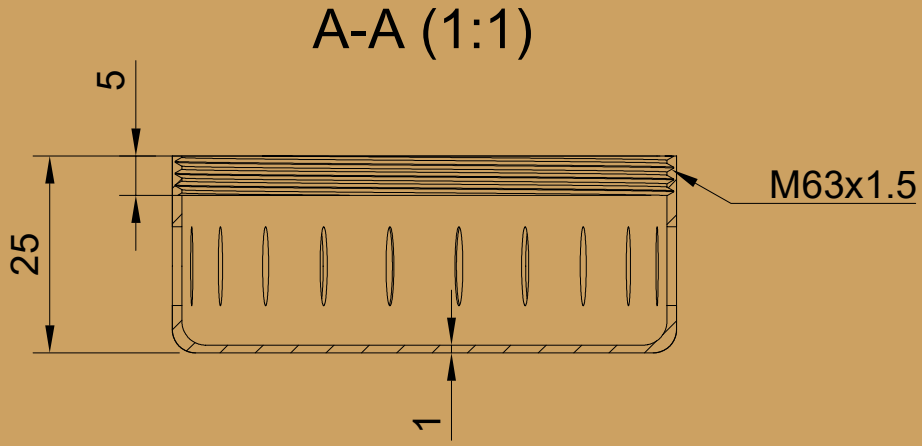
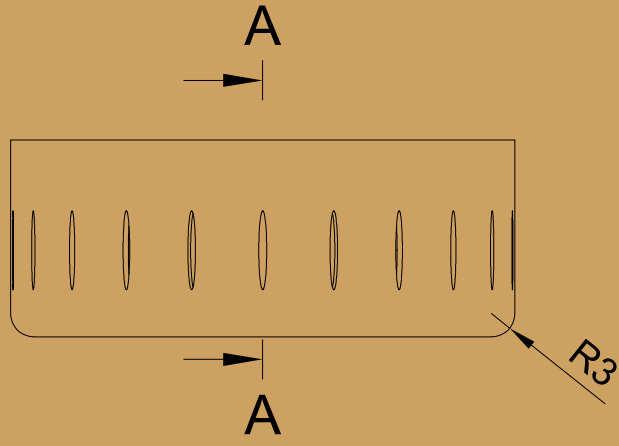
Dept.	Technical reference	Created by Pistacchio Graphic	Approved by
		Document type Fusion 360 #22	Document status https://youtu.be/SyzL72T2jUc
		Title Mosquito Trap	DWG No.
Rev.	Date of issue 21/02/2023	Sheet 1/1	



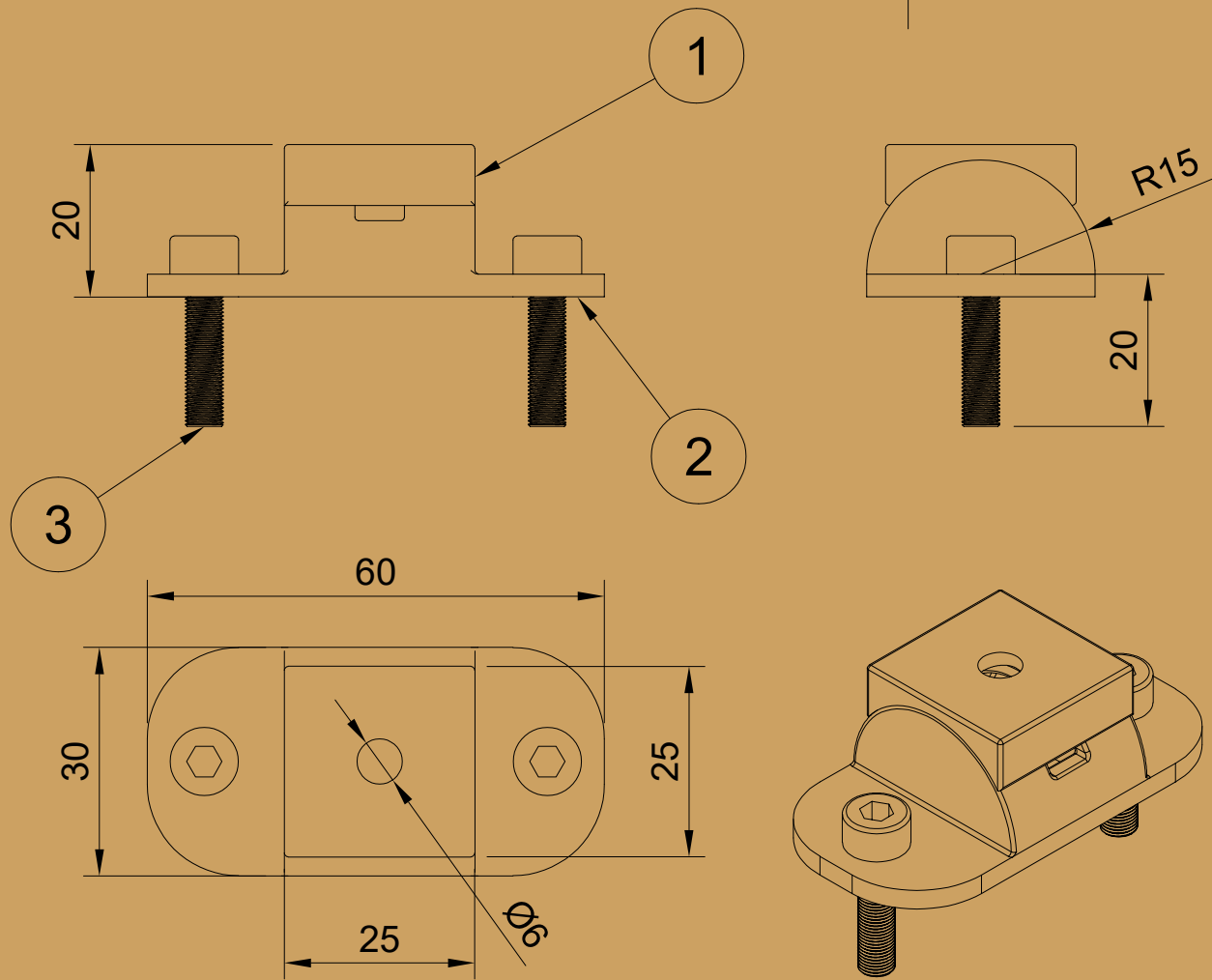
Dept.	Technical reference	Created by Pistacchio Graphic	Approved by	
		Document type Fusion 360 #22	Document status Mosquito Trap	
		Title Suport LED	DWG No.	
Rev.	Date of issue 21/02/2023	Sheet 1/1		



Dept.	Technical reference	Created by Pistacchio Graphic	Approved by
		Document type Fusion 360 #22	Document status Mosquito Trap
		Title Base Tread	DWG No.
		Rev.	Date of issue 21/02/2023
			Sheet 1/1

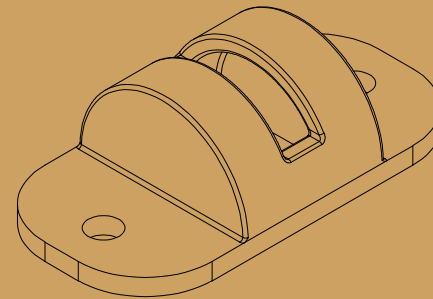
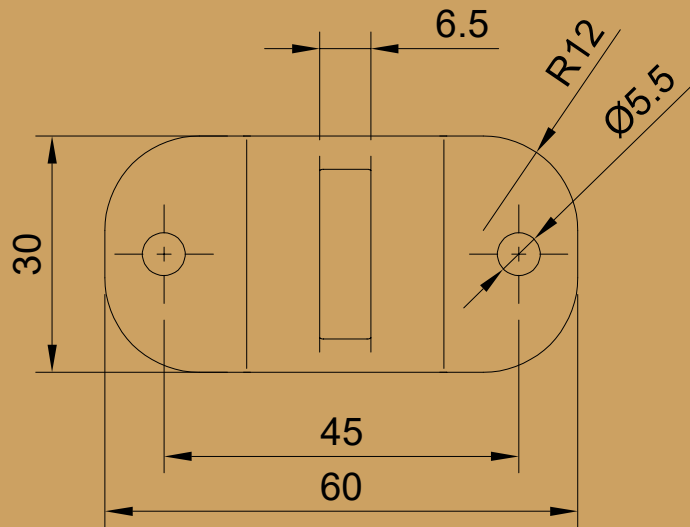
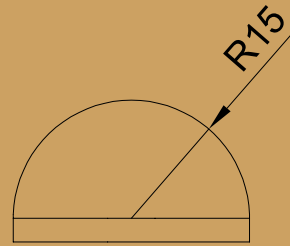
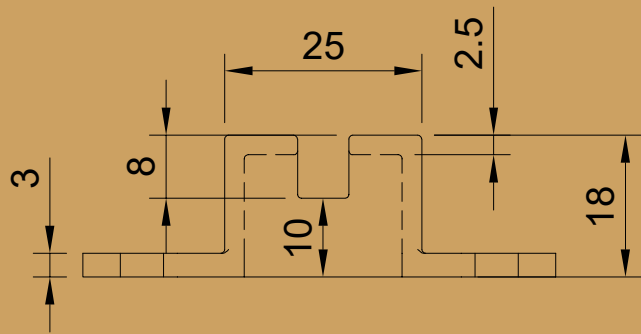


Dept.	Technical reference	Created by Pistacchio Graphic	Approved by	
		Document type Fusion 360 #22	Document status Mosquito Trap	
		Title Tap	DWG No.	
		Rev.	Date of issue 21/02/2023	Sheet 1/1

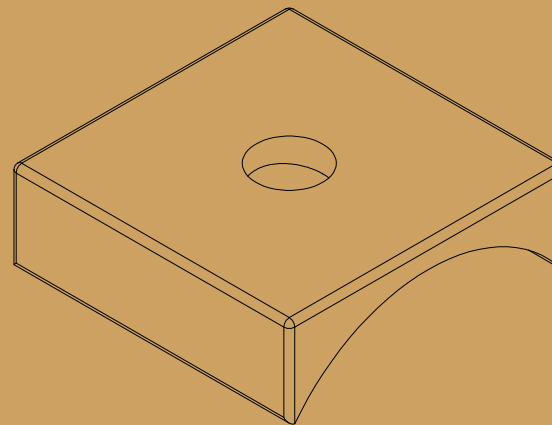
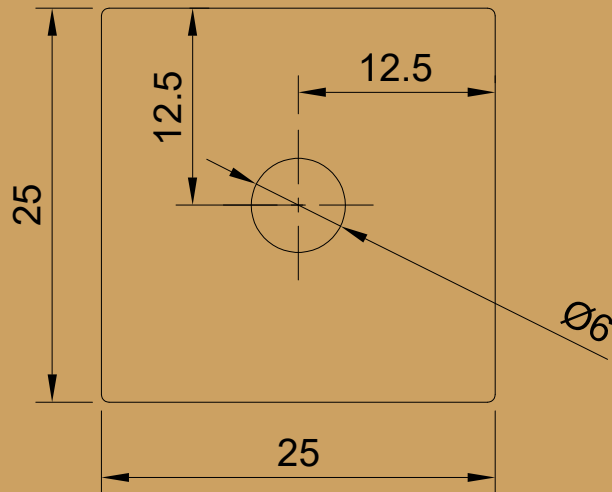
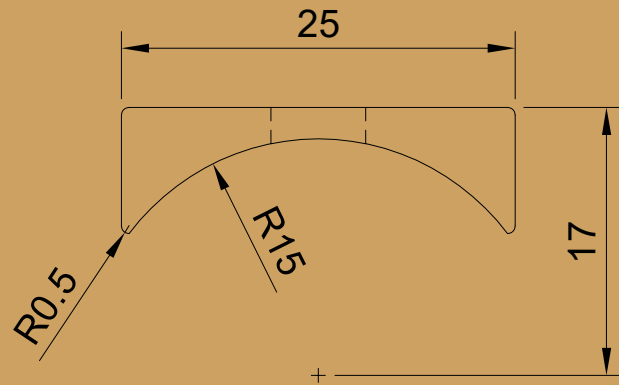


Parts List		
Item	Qty	Part Number
1	1	Adjust
2	1	Base
3	2	Screw M5

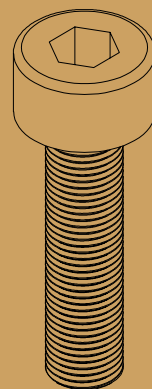
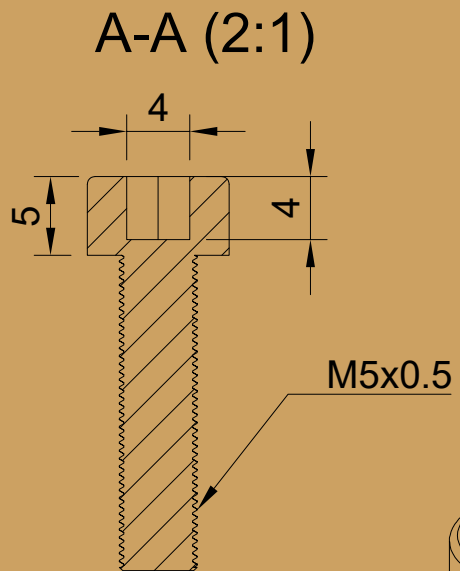
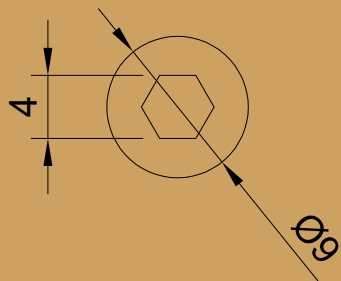
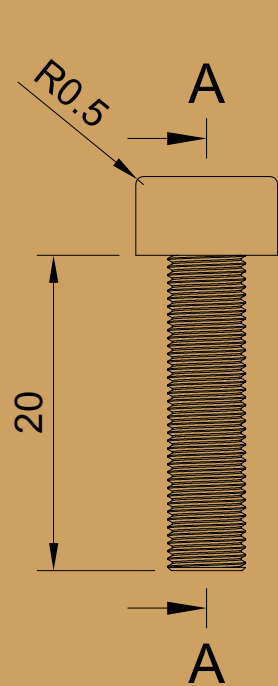
Dept.	Technical reference	Created by Pistacchio Graphic	Approved by	
		Document type Fusion 360 #23	Document status https://youtu.be/dEOGBOZ2Xzk	
		Title Adjusting Mount	DWG No.	
Rev.	Date of issue 14/02/2023	Sheet 1/1		



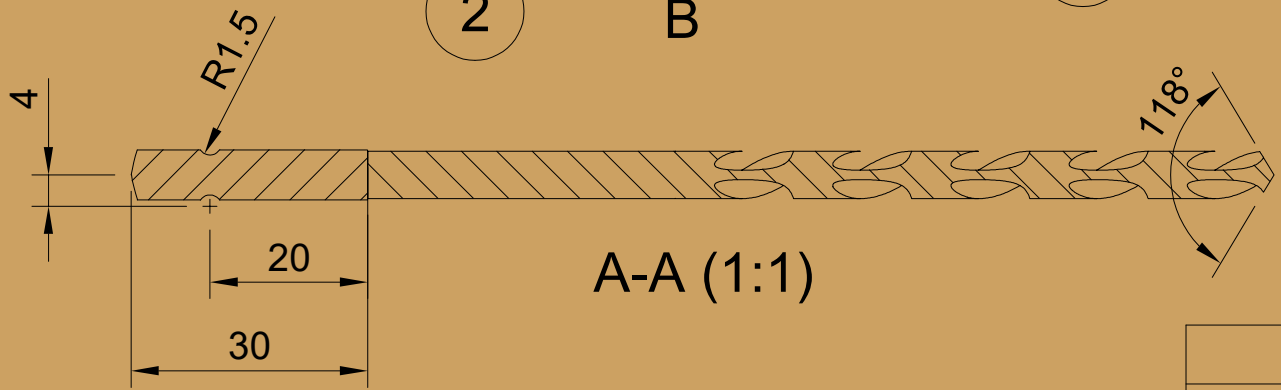
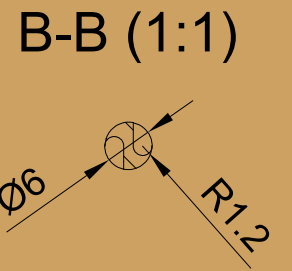
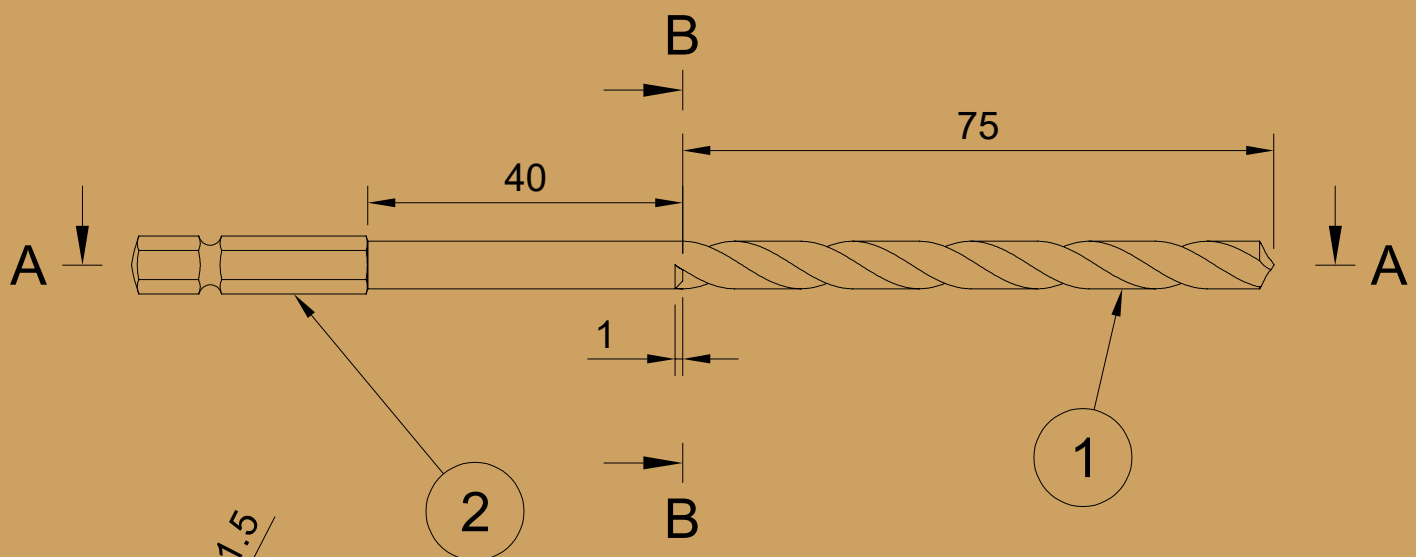
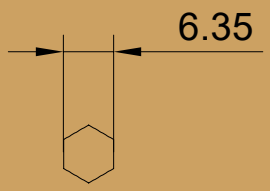
Dept.	Technical reference	Created by Pistacchio Graphic	Approved by	
		Document type Fusion 360 #23	Document status Adjusting Mout	
		Title Base	DWG No.	
		Rev.	Date of issue 14/02/2023	Sheet 1/1



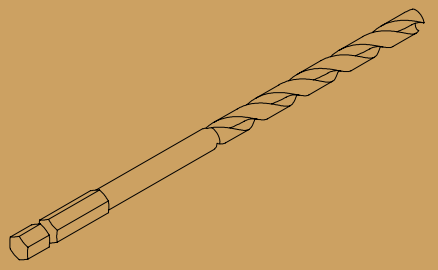
Dept.	Technical reference	Created by Pistacchio Graphic	Approved by	
		Document type Fusion 360 #23	Document status Adjusting Mount	
		Title Adjust	DWG No.	
		Rev.	Date of issue 14/02/2023	Sheet 1/1



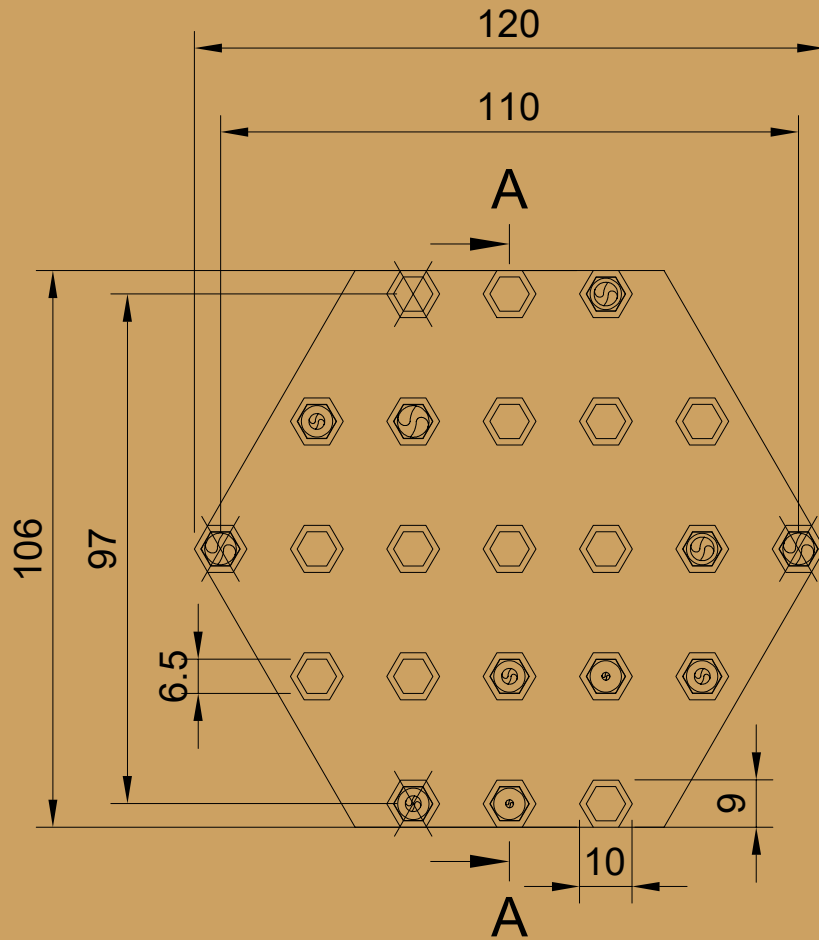
Dept.	Technical reference	Created by Pistacchio Graphic	Approved by	
		Document type Fusion 360 #23	Document status Adjusting Mount	
		Title Screw M5x20	DWG No.	
		Rev.	Date of issue 14/02/2023	Sheet 1/1



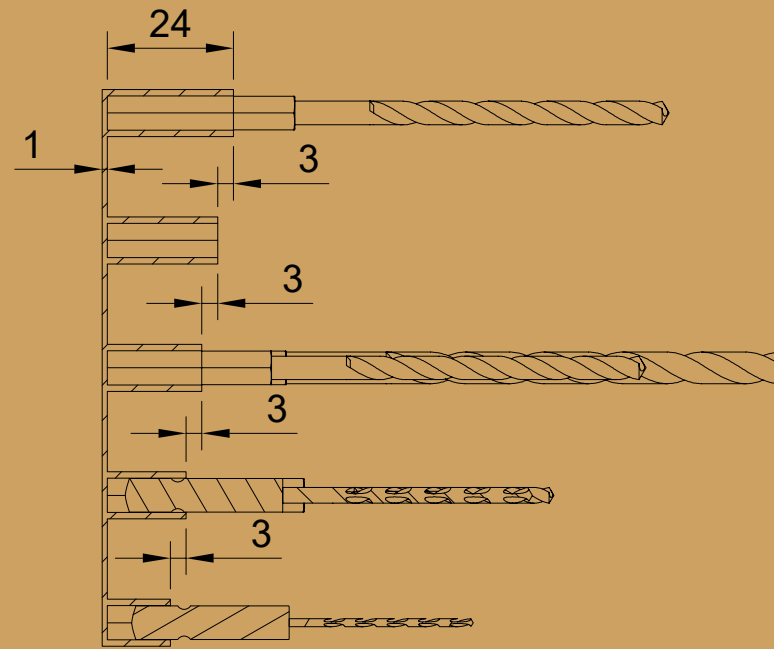
Parts List		
Item	Qty	Part Number
1	1	Drill
2	1	Base



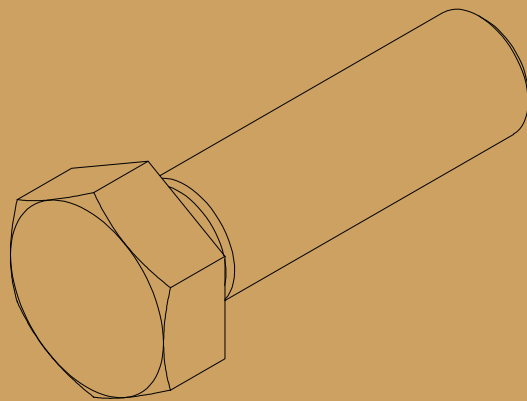
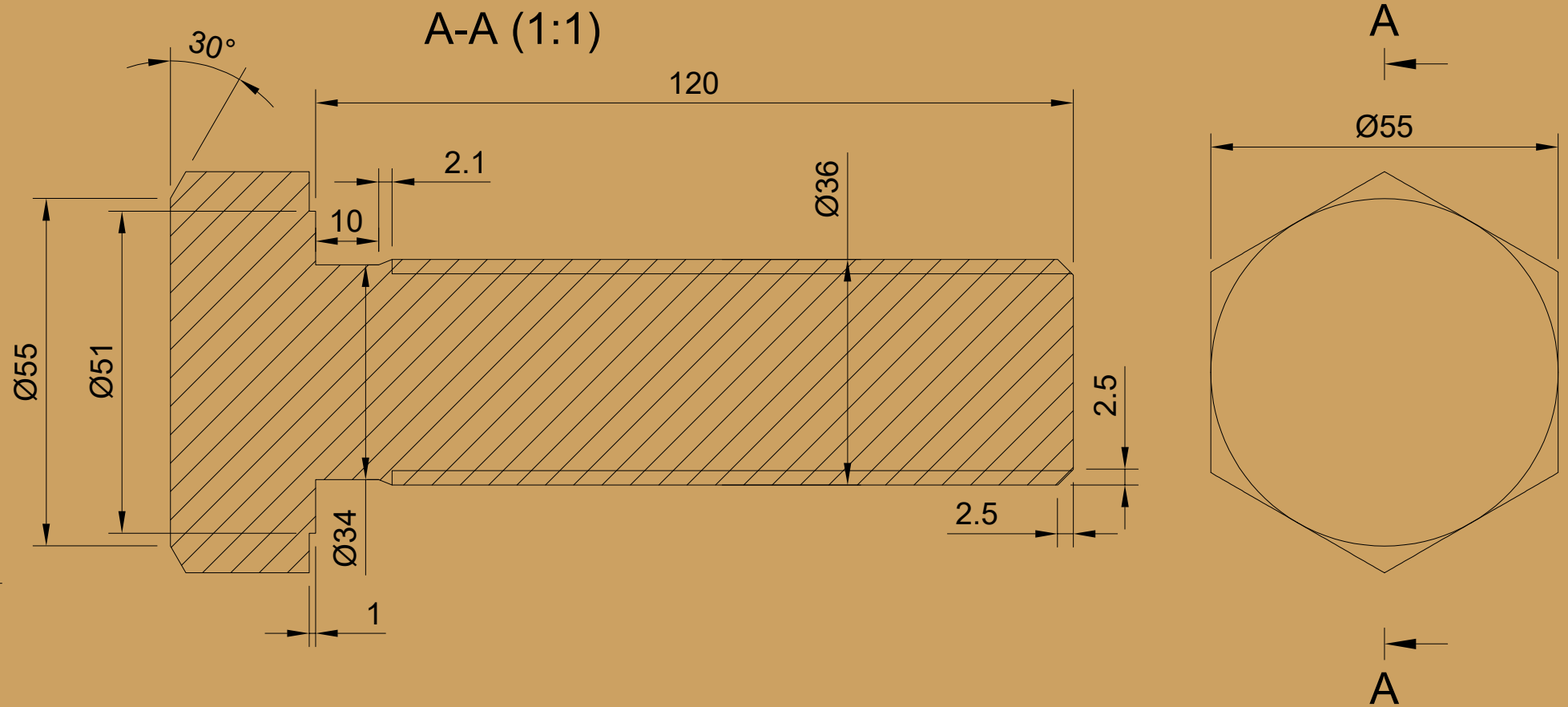
Dept.	Technical reference	Created by Pistacchio Graphic	Approved by
		Document type Fusion 360 #24	Document status https://youtu.be/i-EHMunXjFs
		Title Drill HSS 6mm	DWG No.
Rev.	Date of issue 24/02/2023	Sheet 1/1	




A-A (1:1.5)

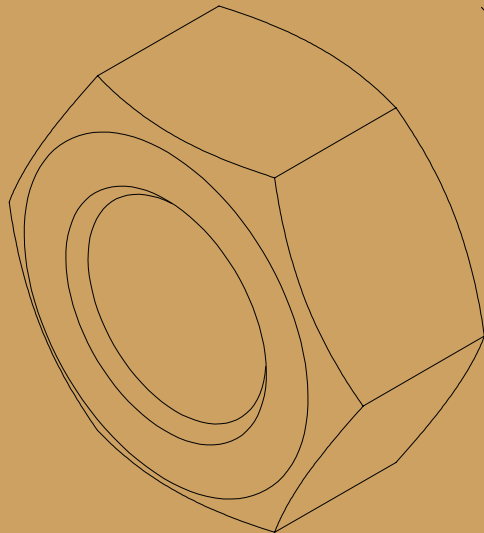
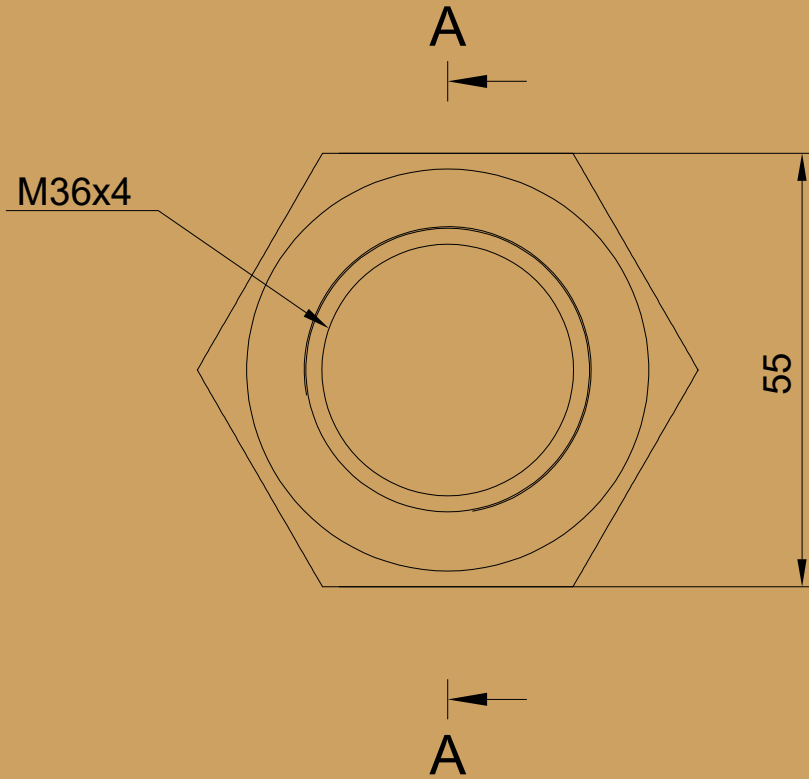
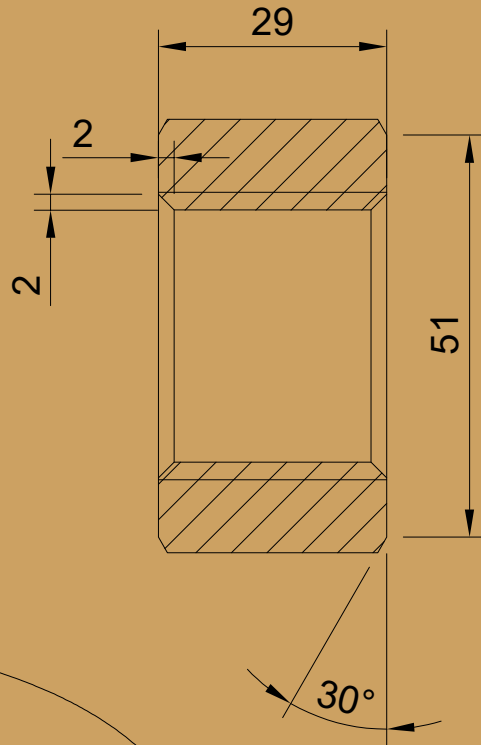


Dept.	Technical reference	Created by Pistacchio Graphic	Approved by
		Document type Fusion 360 #25	Document status https://youtu.be/VfTrS3r3jFk
		Title Drill Holder	DWG No.
Rev.	Date of issue 23/02/2023	Sheet 1/1	



Dept.	Technical reference	Created by Pistacchio Graphic	Approved by
		Document type Fusion 360 #26	Document status https://youtu.be/DsRyuumJiYc
		Title Screw M36x120 EN 24017	
Rev.	Date of issue 25/02/2023	Sheet 1/1	

A-A (1:1)



Dept.	Technical reference	Created by Pistacchio Graphic	Approved by
		Document type Fusion 360 #27	Document status https://youtu.be/3NlgNV7qIk0
		Title Hex Nut M36	DWG No.
Rev.	Date of issue 25/02/2023	Sheet 1/1	

