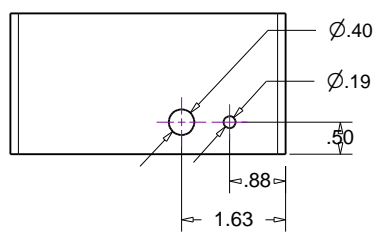
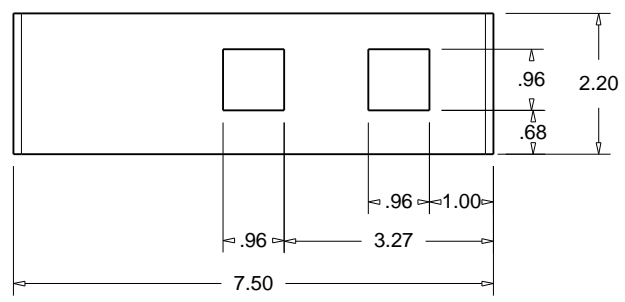
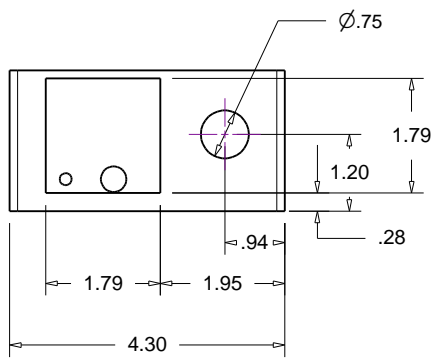
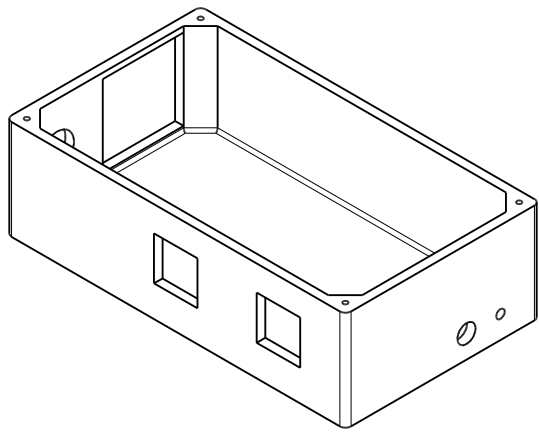
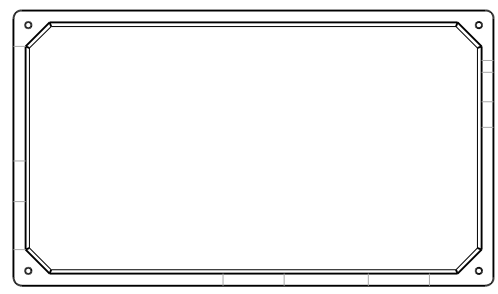


Rev.	Description	Date	Author
Revision	Revision Description	Created Date	Created By
		5/25/15	MPG



Part Name: Part Name		Tolerances:		Part #: Part Number
Supplier: Supplier		0.X	0.050	
Material: Material		0.XX	0.010	
		0.XXX	0.004	