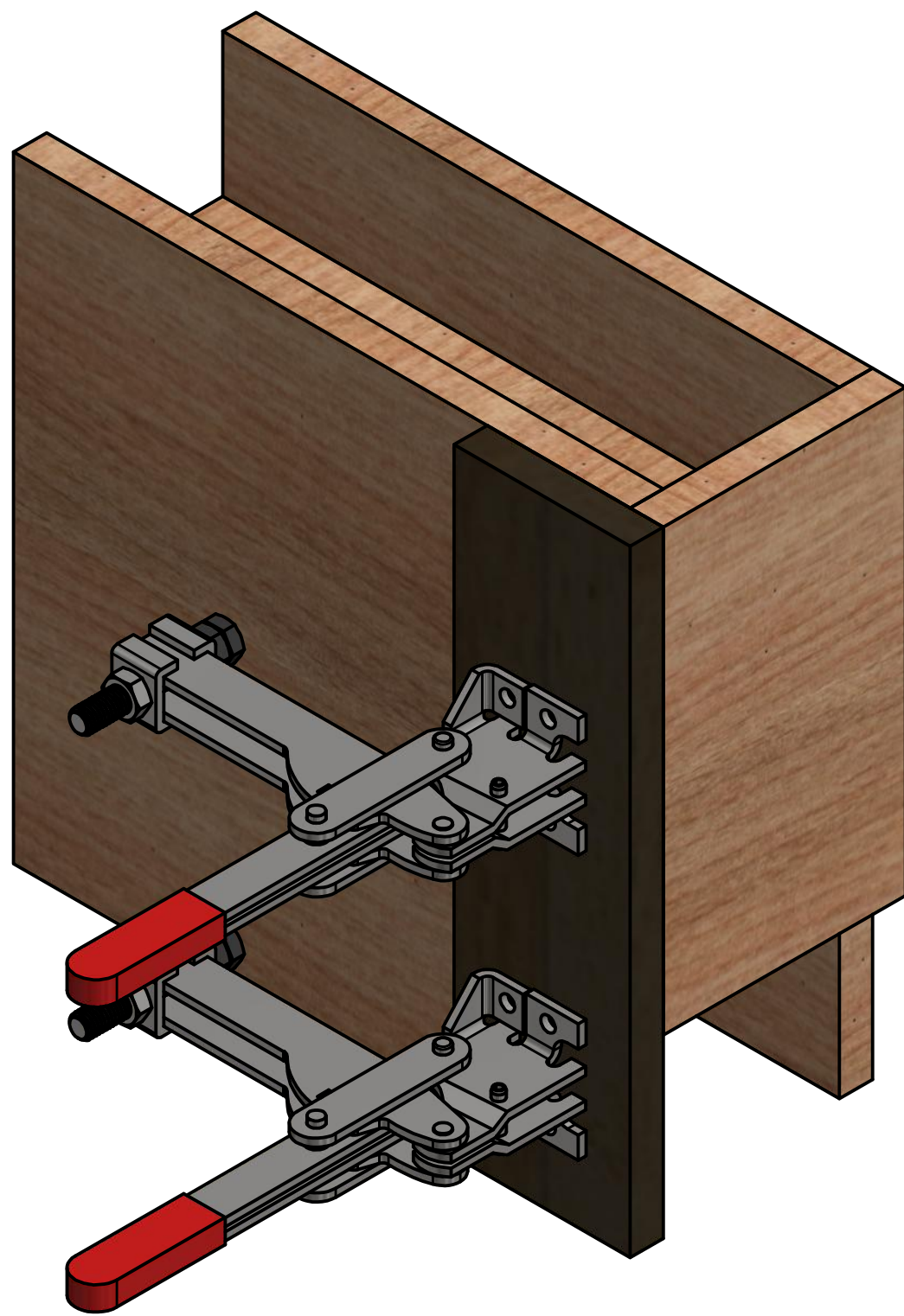
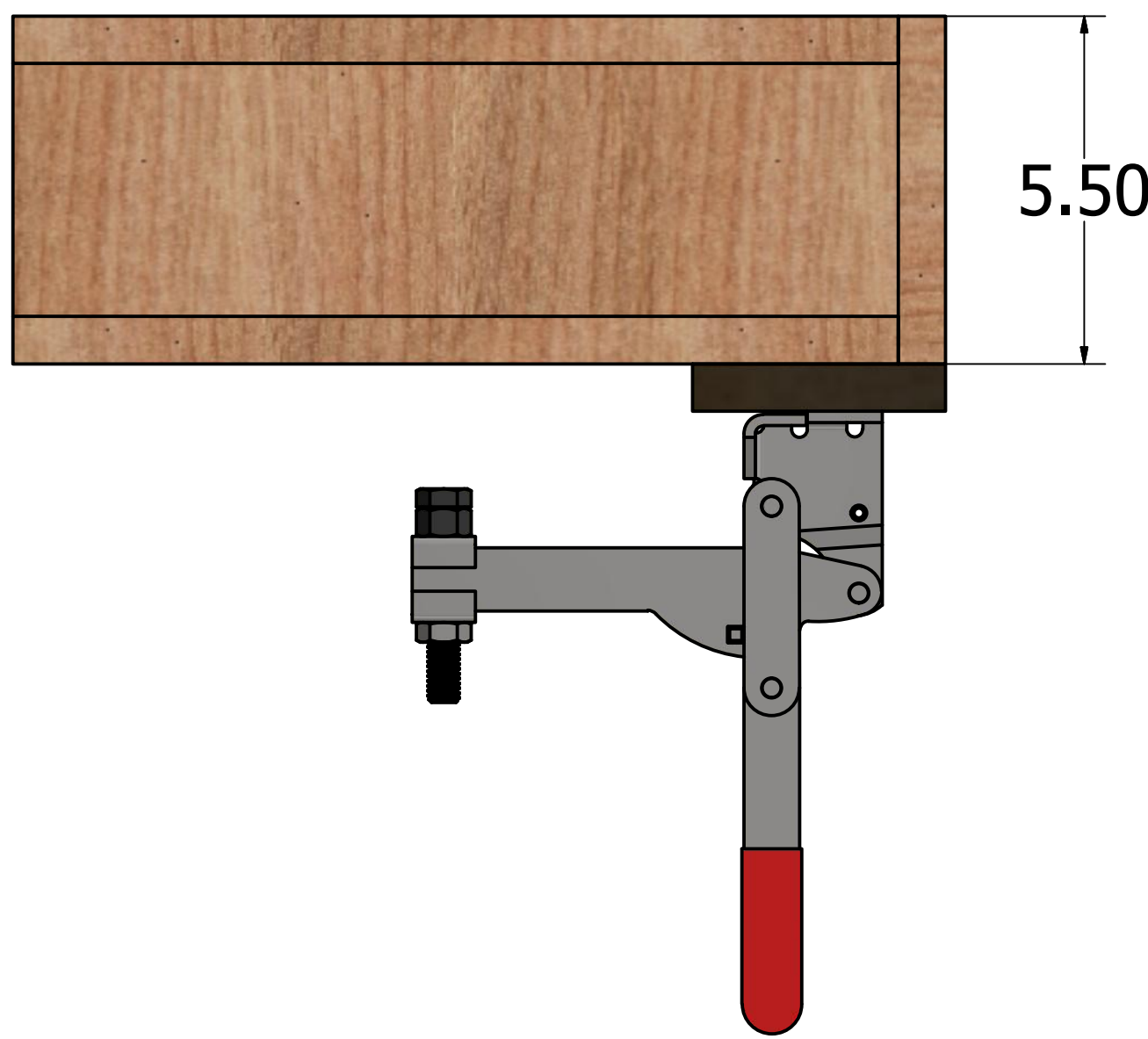


8 7 6 5 4 3 2 1

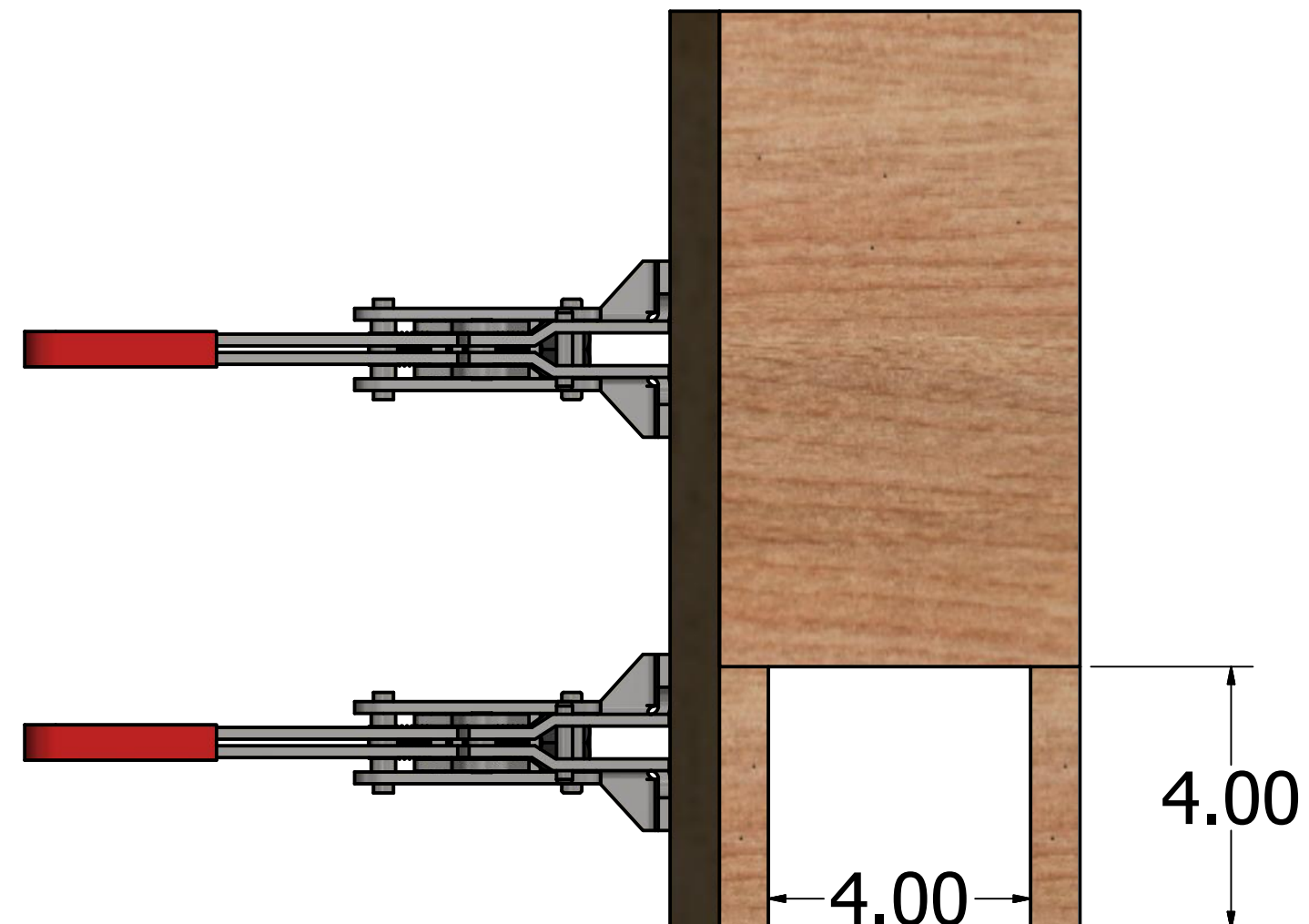
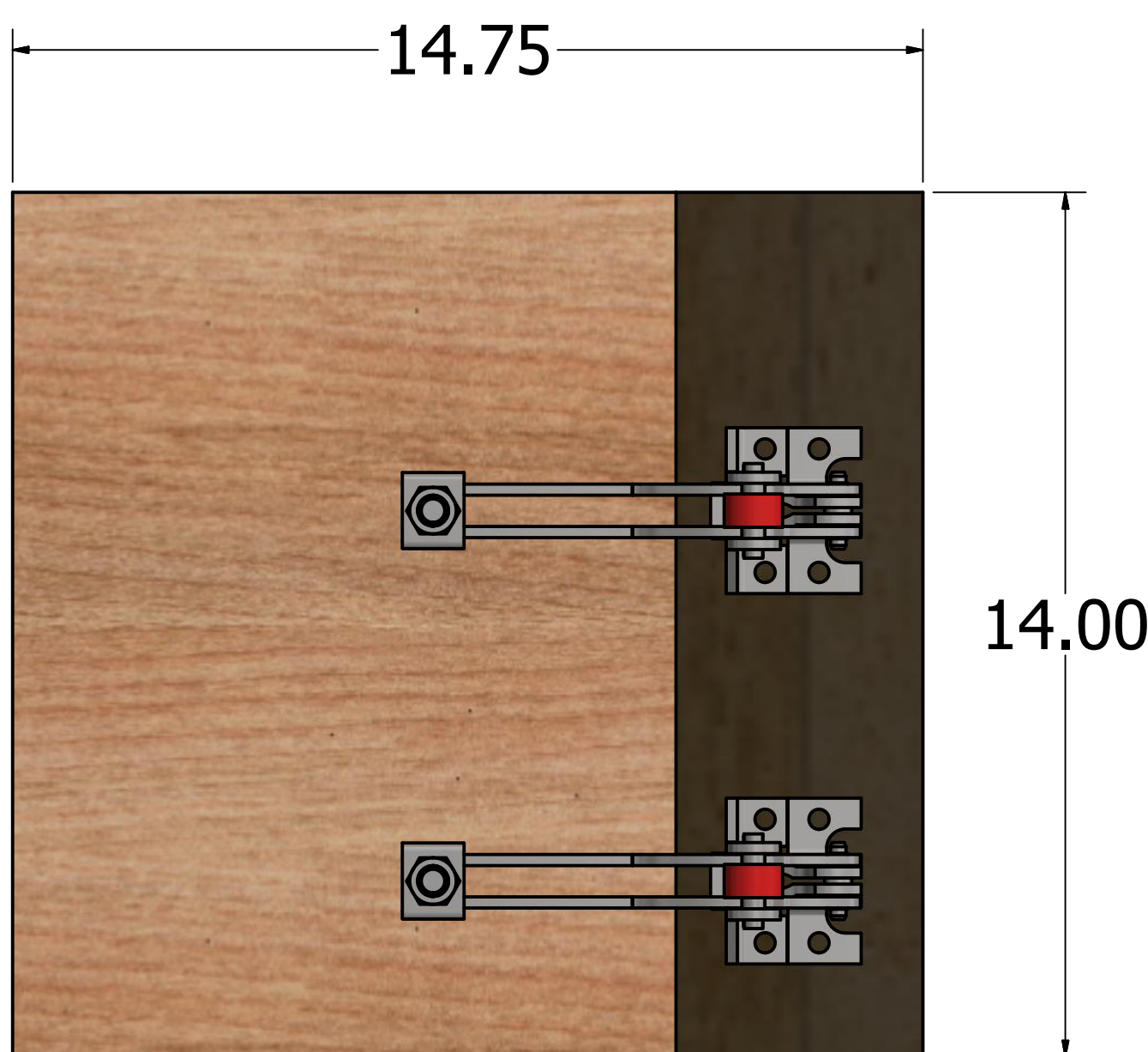
D

D



C

C



B

B

A

A

8 7 6 5 4 3 2 1

DRAWN	3/2/2019			
Mark		TITLE		
CHECKED				
QA				
MFG				
APPROVED				
		SIZE	DWG NO	REV
		D	Jig2	
		SCALE	.375	SHEET 1 OF 1