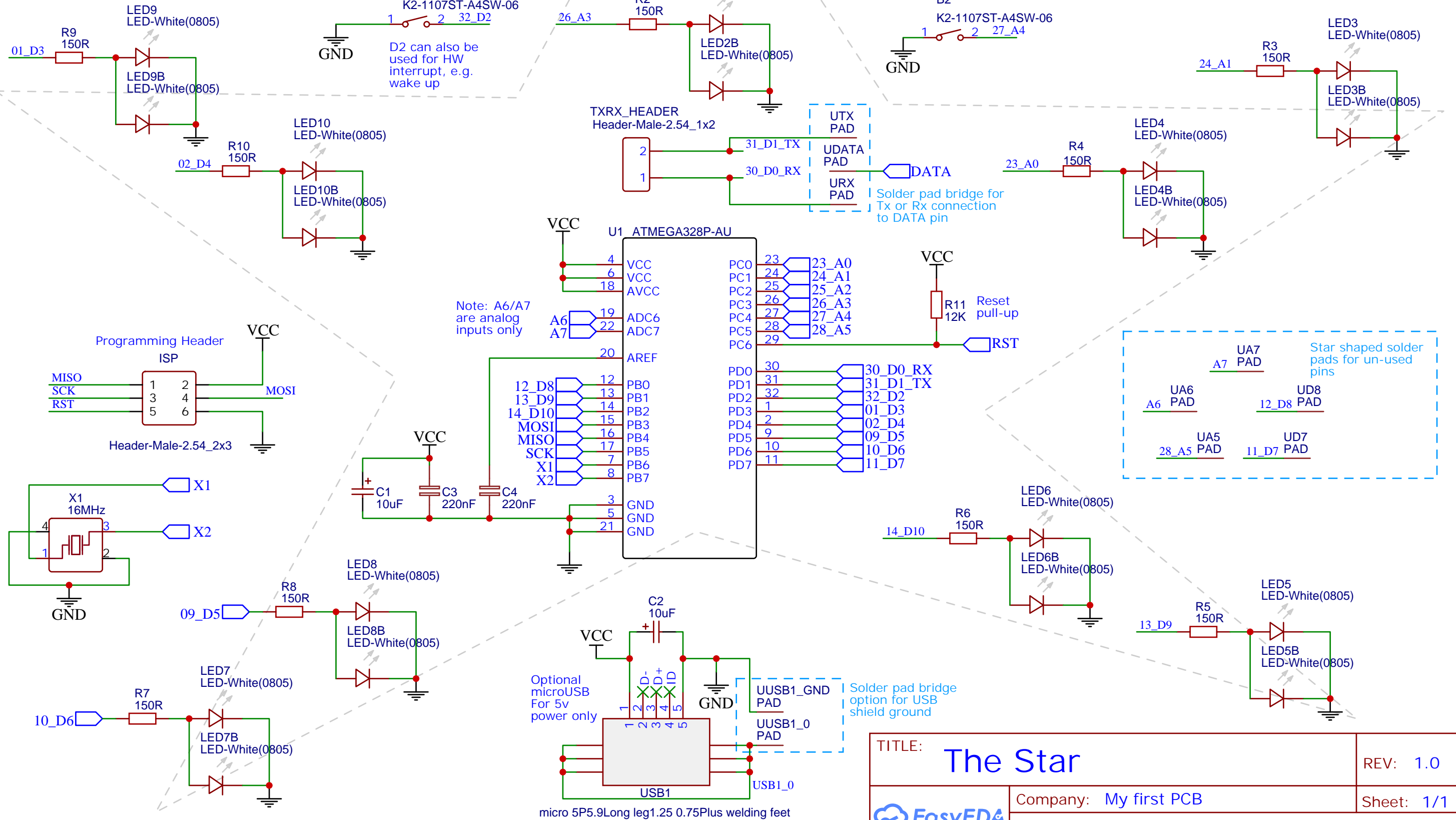


The Star

- Arduino/ATMEGA328 based LED star
- 10x LEDs, x2 sides = 20 LEDs total
 - Surface mount
 - ISP programming header
 - microUSB power connector
 - no crystal (internal 8MHz)



TITLE: The Star	REV: 1.0
Company: My first PCB	Sheet: 1/1
Date: 2019.03 - 2020.01	Drawn By: neil.parris

