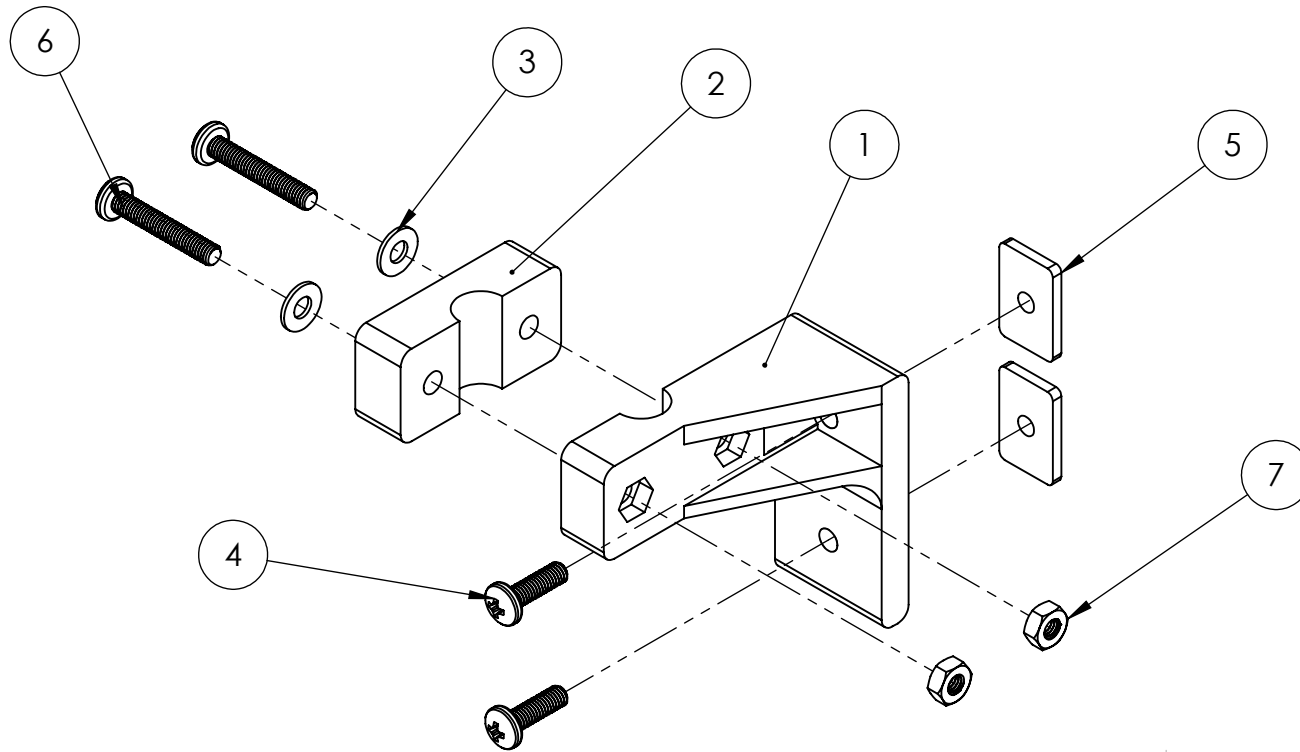


ITEM NO.	PART NUMBER	QTY.
1	Top Z Stabilizer	1
2	Top Z Rod Brace	1
3	M3 Washer	2
4	M3 Pan Head x 10mm	2
5	Square Nuts	2
6	M3 Pan Head x 18mm	2
7	M3 Hex Nut	2



COMMENTS: Total of 2	SIZE A	TITLE: Top_Z_SubAssy	REV
	SCALE: 1:1		SHEET 1 OF 1

5

4

3

2

1