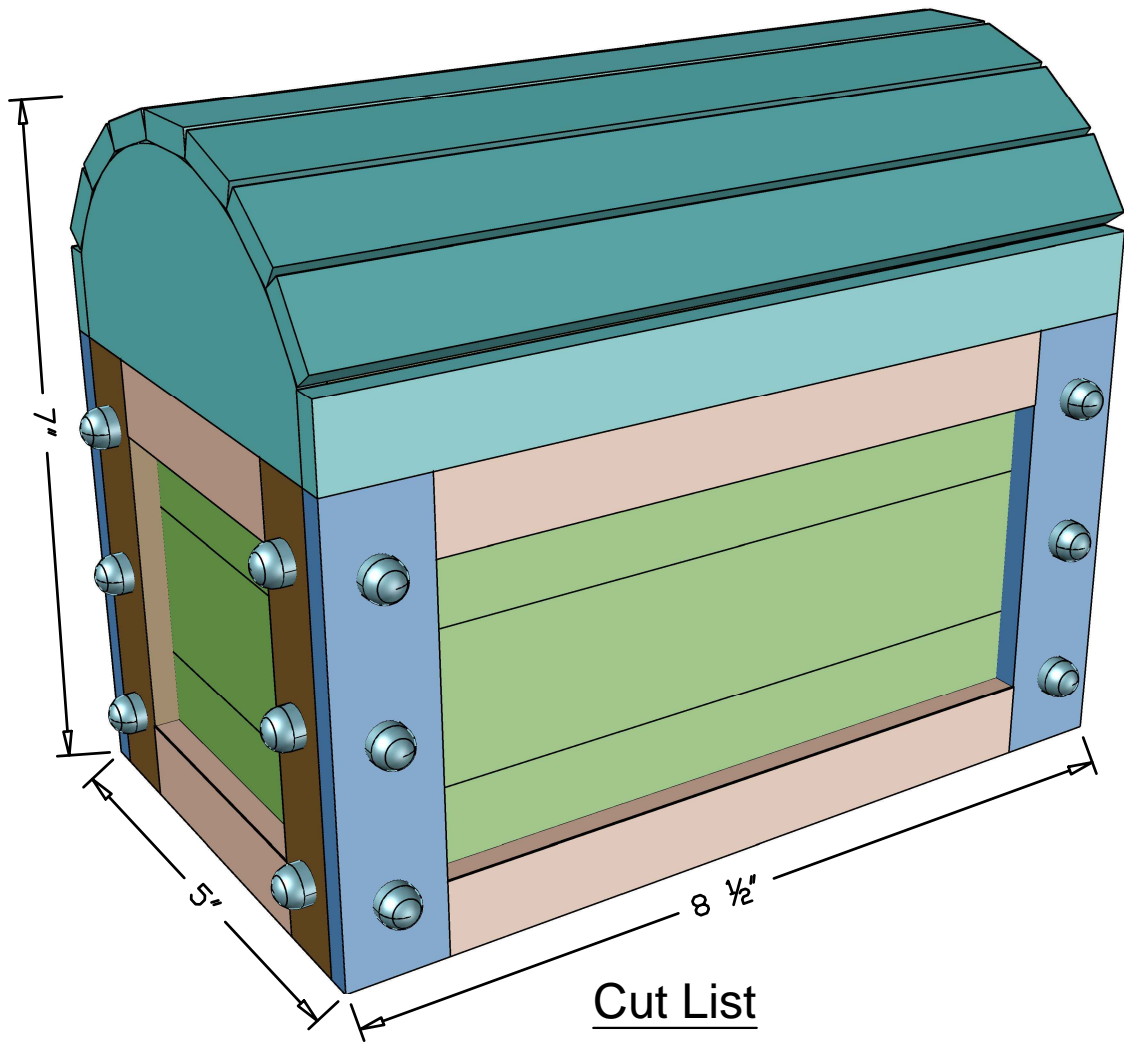


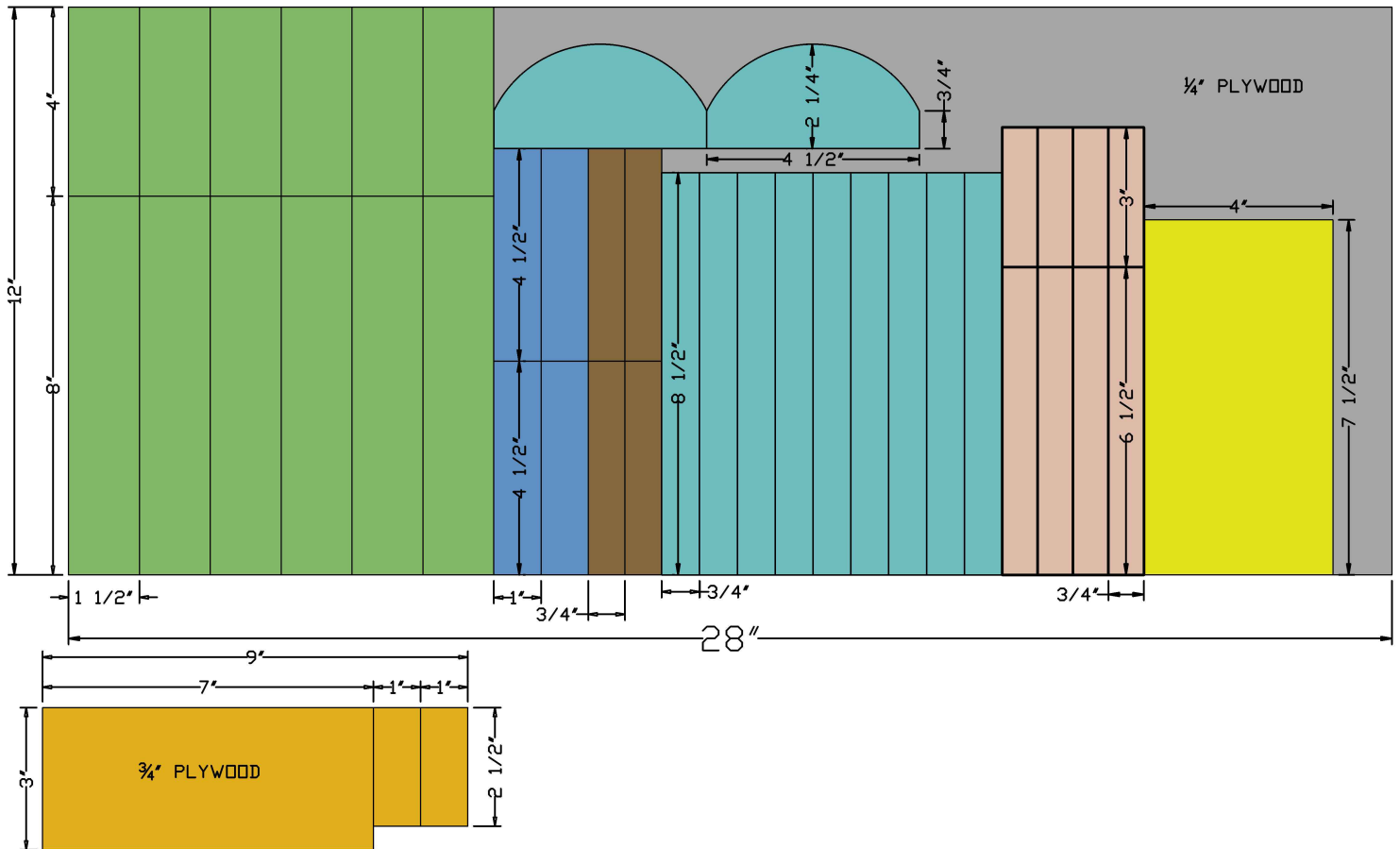


GLOWING NIGHT LIGHT TREASURE CHEST

Supplies		
Item	Quantity	Description
12"x28" - 1/4" Plywood	1	
9"x3" - 3/4" Plywood	1	Construction lumber
1 1/2" Wood Screw	1	Construction lumber
LED Light Bulb	1	
Cable with on/off switch	1	
Hinges	2	
3/8" Dowel 24" Long	1	

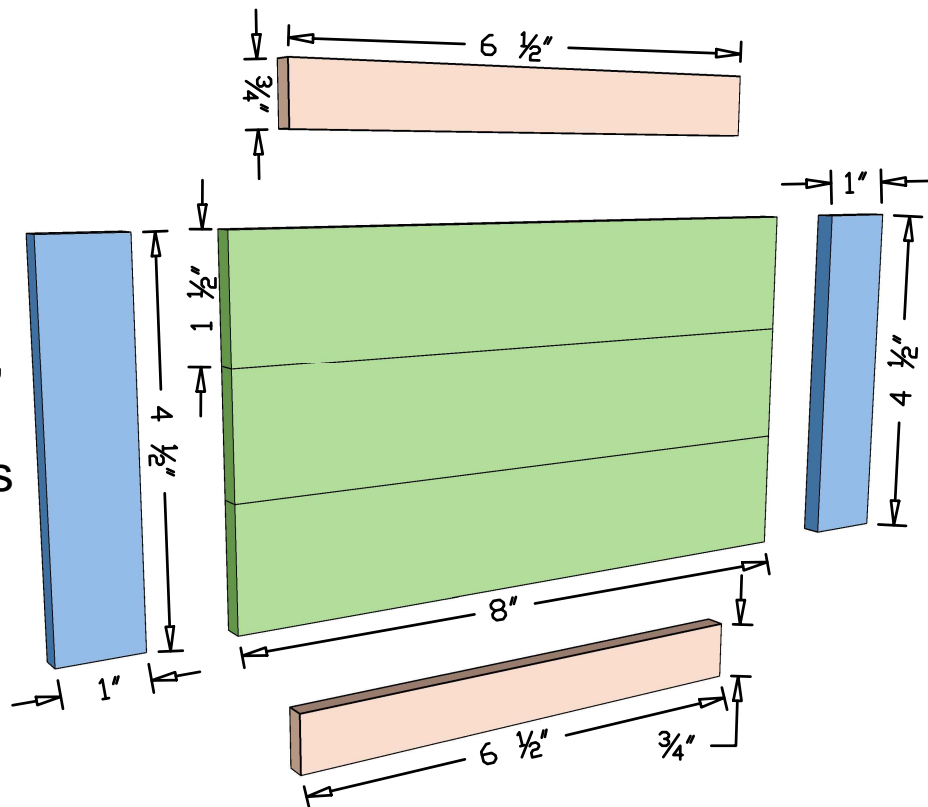


Cut List

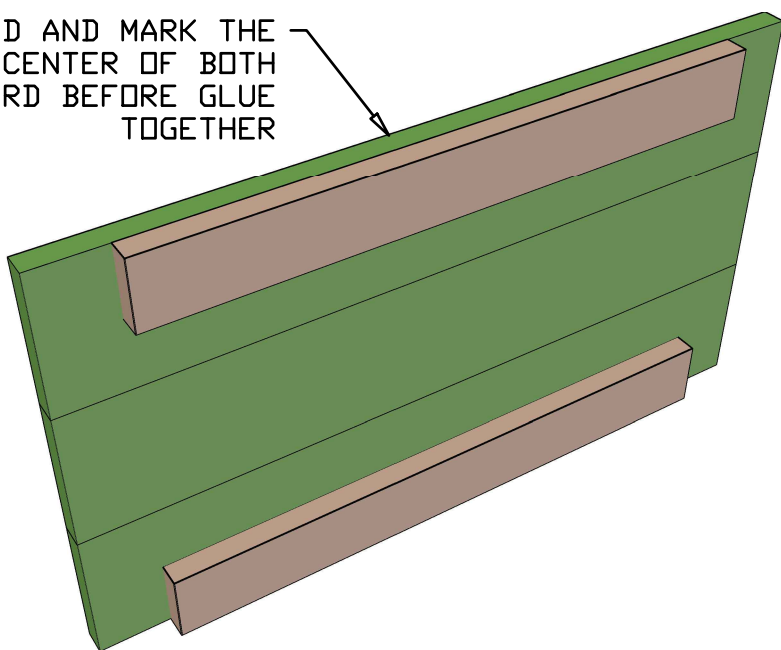


Step 1

Using a table saw, cut 1/4" plywood boards to provided dimensions in the picture. Note: all the boards for this project are from 1/4" plywood, except for the light support inside the box. These boards are for the front side of the chest box. The back side is exactly the same, so cut these boards twice.



FIND AND MARK THE CENTER OF BOTH BOARD BEFORE GLUE TOGETHER

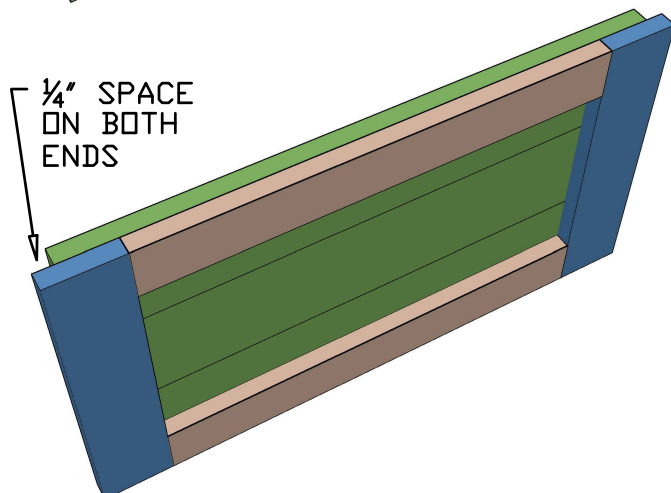


Step 2

Take the 8"x1 1/2" boards and sand the edges so that they are slightly rounded. Then place them on the flat surface in one column and mark the center of the upper and lower boards. Also, mark the center of 6 1/2" x 3/4" boards. Glue one board on top of the panel and one on the bottom making sure the centers align.

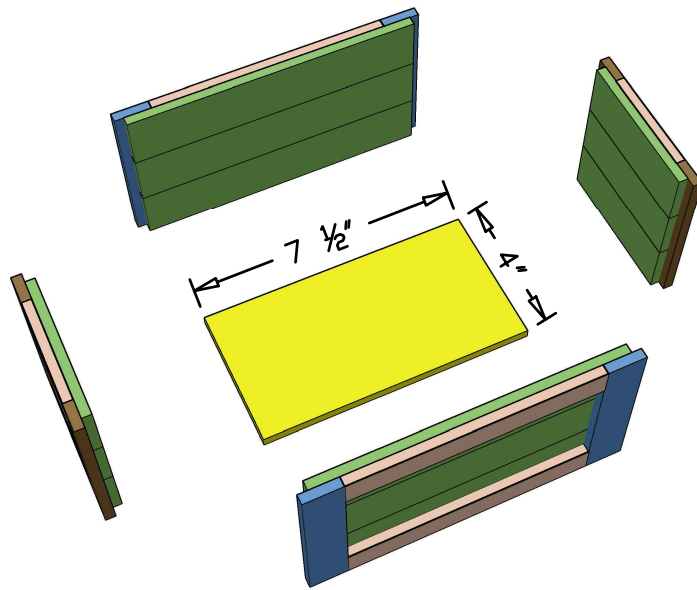
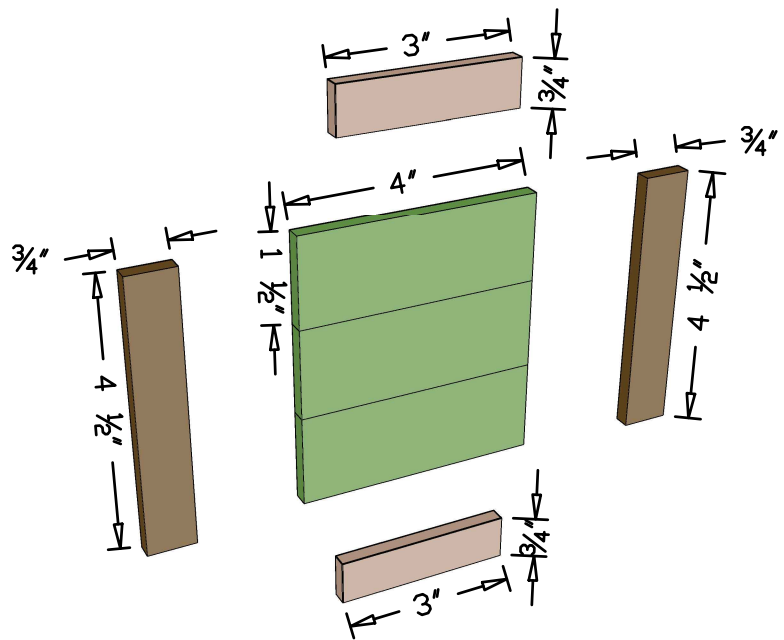
Step 3

Now take 4 1/2" x 1" boards and glue them perpendicular to 8"x1 1/2" on both sides of the panel. These boards will be sticking out 1/4" for interlocking the panels and for more glue surface. For the back panel, follow step 2 and 3 again.



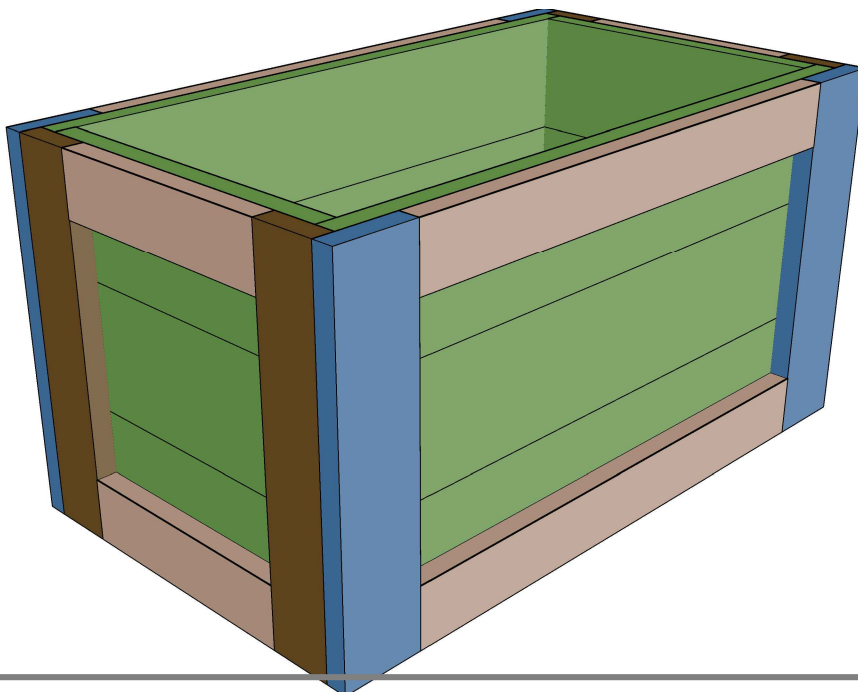
Step 4

Next cut the boards for the side panels as shown on the picture. Then assemble the boards similar to front and back panel following steps 2 and 3.



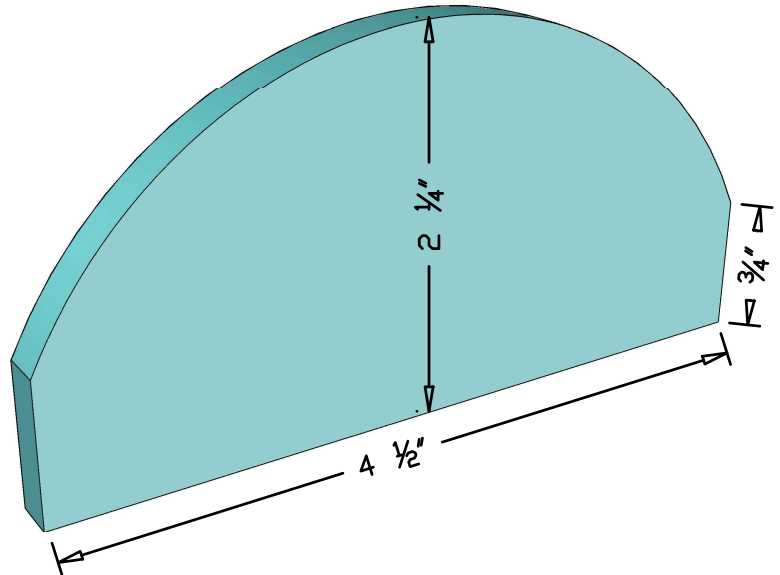
Step 5

Now cut 7 1/2"x4" board for the bottom of the box. Then glue all the pieces together using wood glue. Clamp all pieces and let glue dry for few hours.



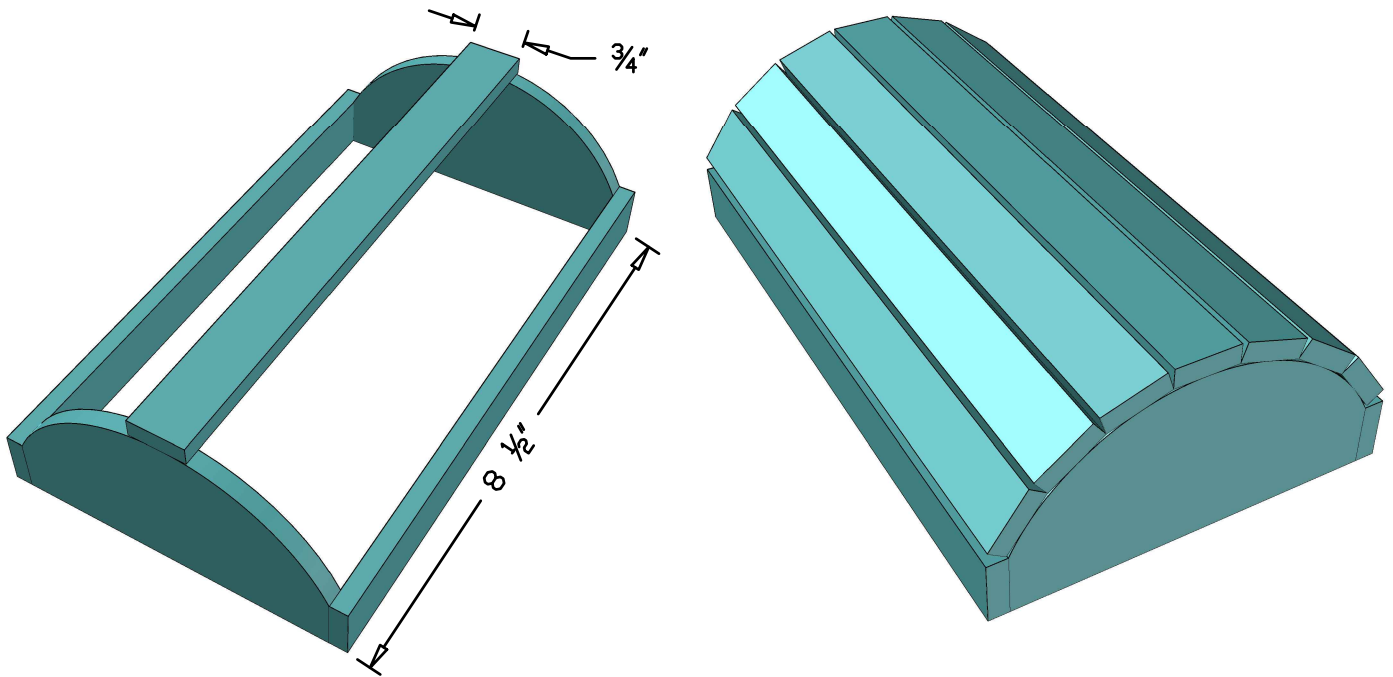
Step 6

For the sides of the lid draw an arch using a pencil then use a jig saw to cut the arch and then random rotating sander to make the arch smooth. Make two of these for both sides of the lid.



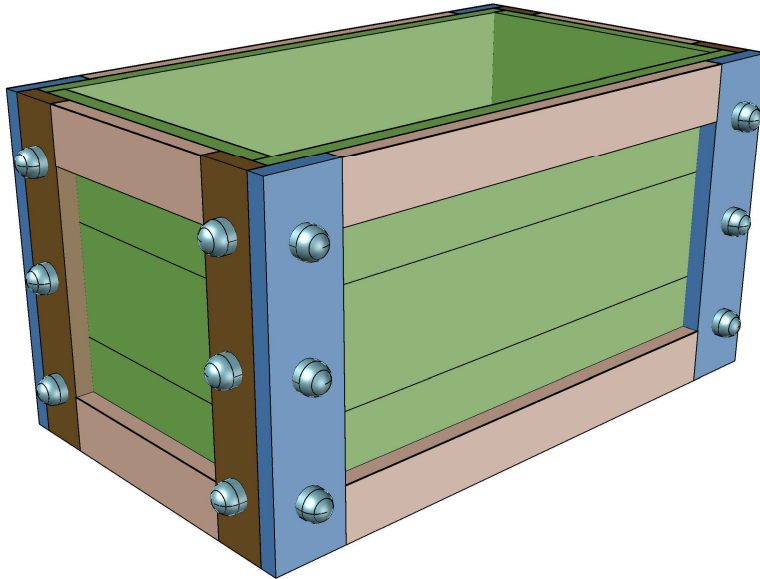
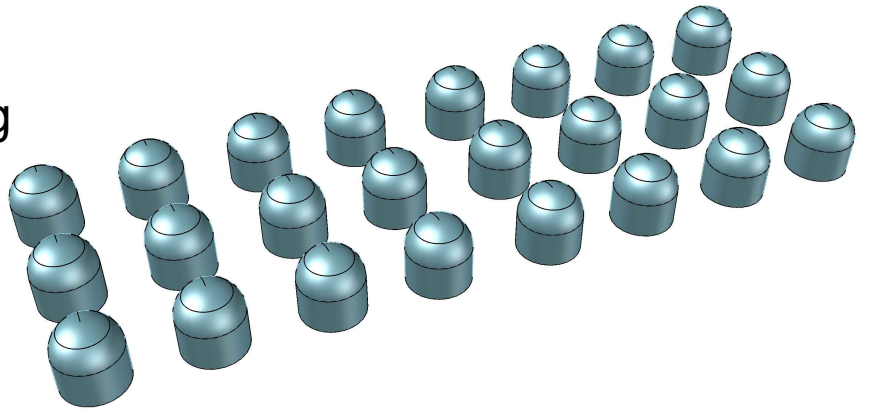
Step 7

The top of the lid will have nine 8 1/2" x 3/4" boards. Place the top board exactly in the middle and then glue the remaining boards based from the center board. Let the wood glue dry for few hours



Step 8

Take 3/8" dowel rod and using a sander, round the tips of the dowel. Then using a Dovetail Saw cut off the rounded tips. You will need 24 of these tips.

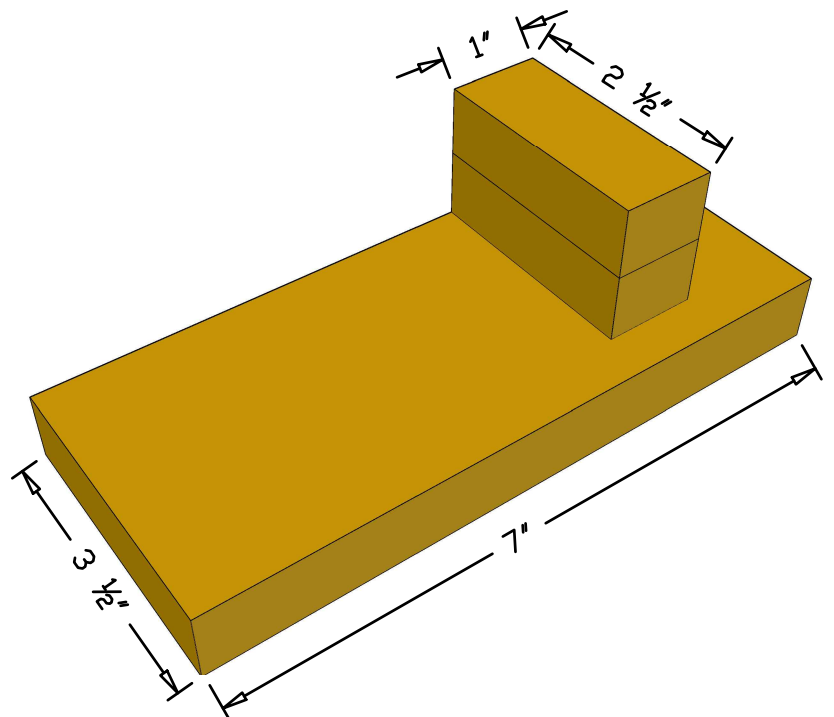


Step 9

Now glue 6 of these tips on each side of the treasure chest.

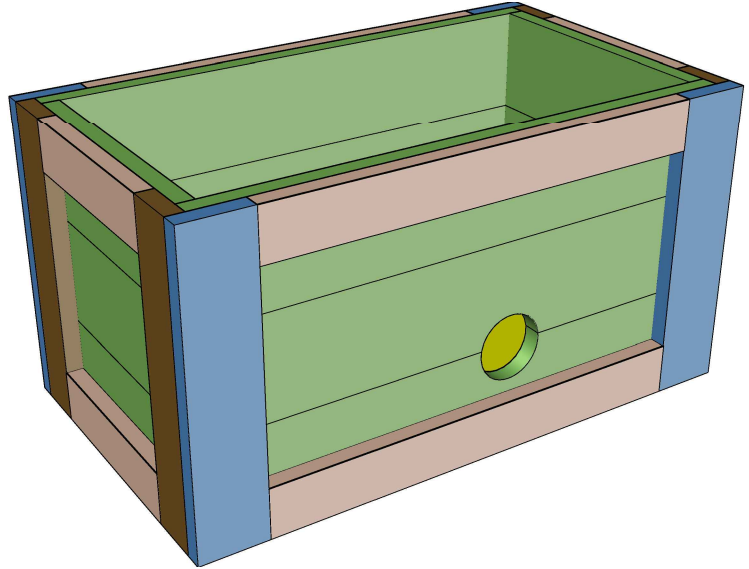
Step 10

For the light support, take 3/4" piece of plywood and cut it to 7"x3 1/2" and 2 pieces of 2 1/2" x 1". Place the two smaller pieces together and then screw them in on the 7"x3 1/2" board using 1 1/2" wood screw. Use a plumbers strap to strap the light holder on to the small pieces of plywood.



Step 11

On the back side of the chest drill a hole to feed the wire for the light bulb. Once the hole is drilled, place the light support inside the chest.



Step 12

Before attaching the lid to the box, using torch slightly burn the chest and the lid to make the plywood look darker. Then place the lid on top of the chest and screw in the hinges. You're done with night light treasure chest.

