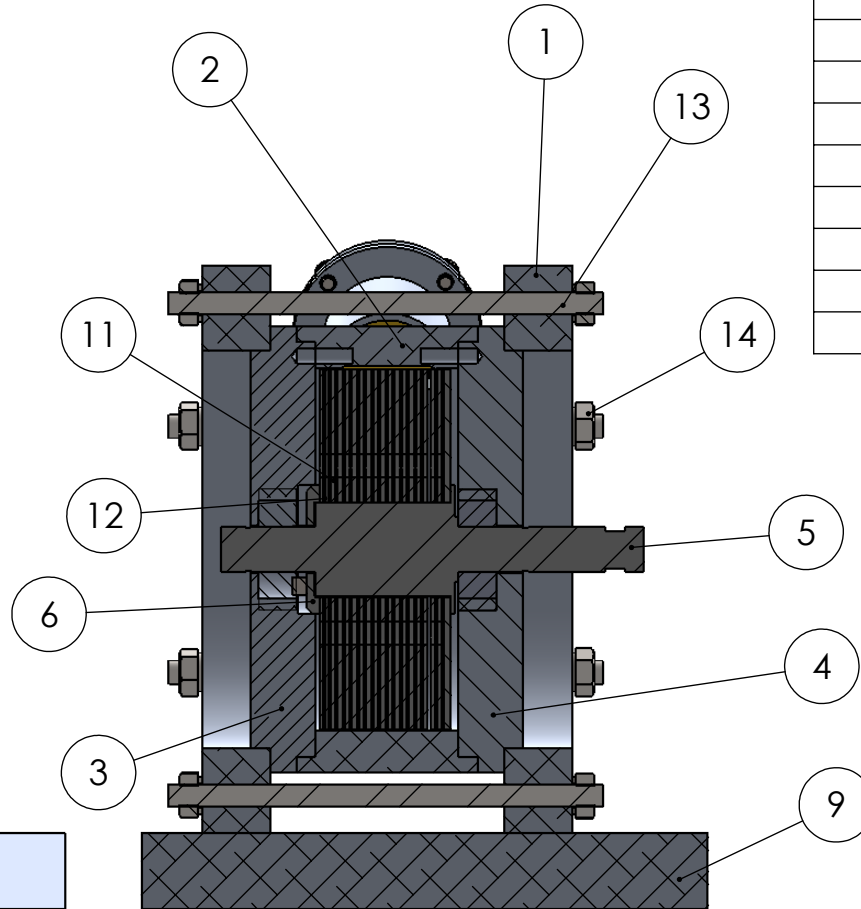
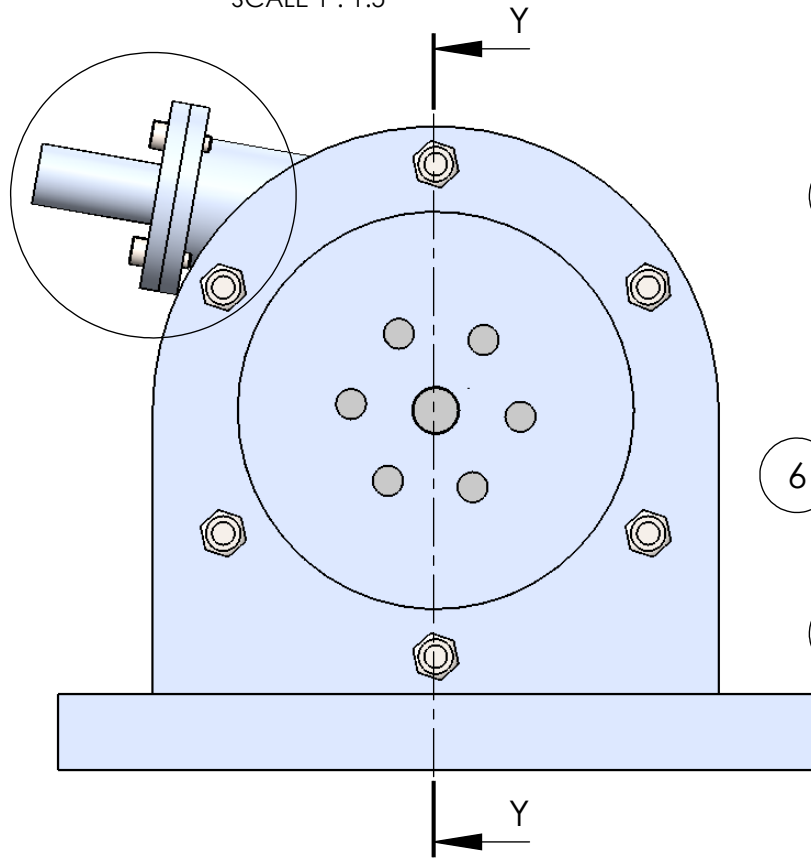
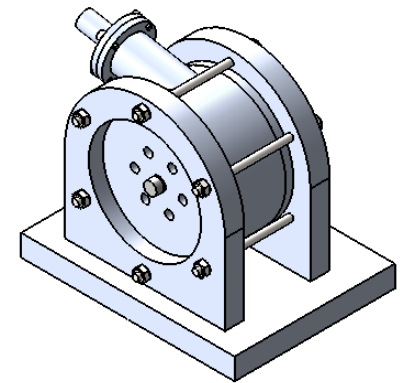



DETAIL AE  
SCALE 1 : 1.5



SECTION Y-Y  
SCALE 1 : 2

Part No.	Description	Qty
1	End Plate	2
2	Housing	1
3	Exhaust End Cap	1
4	End Cap	1
5	Rotor Shaft	1
6	Shaft End Clamp	1
7	Inlet Pipe	1
8	Air Connection	1
9	Base	1
10	Nozzle	2
11	Disk	19
12	Disk Spacer	18
13	Tie Rod	6
14	M6 Nut	12
15	M5 Bolt	4



Designed by: Group B6	Checked by: JW	Units mm	Scale NTS	Dates 20/10/14	Material Various	General Tolerance ±0.2mm
 <b>LIMERICK INSTITUTE OF TECHNOLOGY</b> SCHOOL OF SCIENCE, ENGINEERING & I.T. <i>Department of Mechanical &amp; Automobile Engineering</i>					Title: <b>Tesla Turbine</b>	
					No.	Assembly